



# Infinity

Light sliding system with  
small installation depth

100%  
MADE IN  
BELGIUM

25  
YEARS  
COLOR  
LOCKED

**aliplast**<sup>®</sup>  
ALUMINIUM SYSTEMS



# Infinity

## PERFORMANCE LEVEL

|                    |              |                         |
|--------------------|--------------|-------------------------|
| UW-VALUE           |              | 1.6 W/m <sup>2</sup> K* |
| UF-VALUE           |              | 2.0 W/m <sup>2</sup> K  |
| AIR TRANSMISSION   | NBN EN 12207 | Class 3                 |
| WATERTIGHTNESS     | NBN EN 12208 | Class 6A                |
| RESISTANCE TO WIND | NBN EN 12210 | Class C3                |
| OPERATING FORCE    | EN 13115     | Class 1                 |

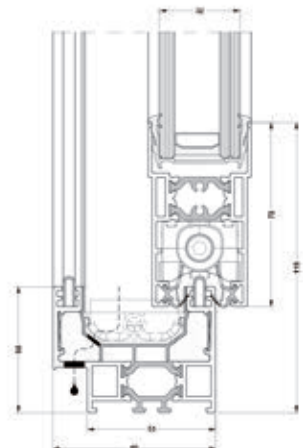
\* 2720mm x 1850mm / UG 1.0W/m<sup>2</sup>K & PSI 0.036W/MK / profile combination INF010 - INF020/021

## TECHNICAL FEATURES

- Various variations possible: 2-, 3-, 4-, 6- and 8-pieces
- Wheels: 22 mm wheels (needle bearings), double adjustable wheels
- Invisible drainage
- Applications for new buildings or renovations
- Narrower mullion: 30 mm

## TECHNICAL CHARACTERISTICS

- Face width:
  - frame: 50 mm
  - sash: 73 mm
- Built-in depth:
  - frame: 2-rail : 51 mm - 65 mm
  - 3-rail : 99 mm
  - 4-rail : 153 mm
  - sash: 41 mm
- Glazing rebate: 20 mm
- Glazing: 5 - 50 mm monorail frame  
24/28/32 sash
- Max. pane weight: 150 kg



## 100% MADE IN BELGIUM



Aliplast develops aluminium profiles tailored to current housing needs. Everything happens under one roof: from drawing to extrusion, powder coating, insulation and transport to the Aliplast distributors. The distributors produce and install the finished windows in your building project.

## 25-YEAR COLOUR GUARANTEE



Aliplast gives a 25-year guarantee on 50 current colours. The Qualicoat Seaside quality label ensures that your paint colour is extra protected against aggressive environments (exhaust fumes, salty sea air, etc.). You enjoy a 15-year guarantee on all other colours. Peace of mind for the future.

## DURABLE PRODUCT



Aluminium is a sustainable product because, in addition to its long lifespan, it is infinitely recyclable without compromising quality. We use a mix of primary billets with the lowest possible carbon footprint and recycled aluminium billets for our systems. The energy required to recycle profiles (melting process) is only 5% of the initial energy needed to produce primary billets.