

Newsletter

April - May - June 2025



Introduction

Dear Partner,

The construction leave is approaching, and summer is just around the corner. But before that time comes, we would like to update you on the latest developments at Aliplast.

We are proud to introduce our new curtain wall system, MC55. This innovative system meets today's demands in terms of aesthetics, efficiency, feasibility, performance, and sustainability.

At Aliplast, we remain committed to building a more sustainable future. That's why we're especially proud to announce that Aliplast is now a founding partner of the Belgian Green Building Council. Together, we're working towards a greener tomorrow.

We're also staying active on the marketing front. In addition to our presence in various trade publications, we'll be participating in several trade fairs in 2025. We were present at the first edition of Future Facade in Utrecht, and you'll soon find us at Architect@Work Amsterdam and River Event in both Belgium and the Netherlands.

As usual, we are happy to present the latest additions and improvements to our product range.

Happy reading!



Xavier Van Sebroeck
CEO Aliplast Systems



Content



4	General info
5	Product information
7	Expanding colour world Faulty colour range
8	Fairs
9	Venice Biennale
11	Durability
13	Tips & advice
14	Project in the picture
16	Project in the pipeline
17	Tests
18	Software news
19	Product updates
53	Catalogue updates
54	Contacts

General info

Summer holidays



We are closed from Monday 21/07 to Friday 1/08/2025.

Last delivery before the closure: week 29. Pick-ups are possible until Thursday 17/07 at 12h.

From Monday 4/08, we will be ready for all your questions. Deliveries from Tuesday 5/08.

For further information regarding your last delivery before and the first delivery after the closure, you can always contact our 'Customer Service' department.

Update ordering platform

No doubt you will have already seen it, the ordering platform has been given a new look and feel. To optimise your user experience and after listening to your valuable feedback, some adjustments have been made.

What will be new:

- A revamped design with modern icons and a modified layout
- The display for shipment and order tracking will be optimised
- Adapted for use on mobile devices
- Possibility of changing customer number for multiple logins
- Optimisation of the interface
- Better protection against incorrect entries
- Possibility of using the 'tab' key for faster entries
- Possibility of selecting multiple lines with 'Ctrl' + select or 'Ctrl' + 'a'

[Manual ordering platform](#) ↓

New lay-out for documents

We would like to inform you that we will soon be implementing a renewed layout for several of our standard documents.

The following documents will receive a new design:

- Invoices
- Pro forma invoices
- Order confirmations
- Purchase orders
- Transport notes
- Test certificates

The content of the documents will, of course, remain unchanged; only the visual presentation will be updated. We expect the new layout to be implemented as of the end of June.

Product information

The new MC55 curtain wall

With the MC55, Aliplast is launching a completely new curtain wall system that responds to today's demands for aesthetics, efficiency, installation flexibility, performance and sustainability.

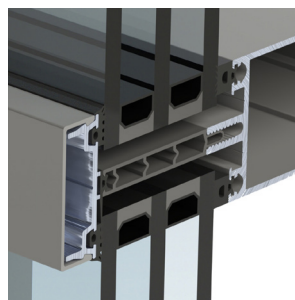
The MC55 is not just an upgrade of our existing façade systems. We thoroughly re-evaluated the entire curtain wall concept: what are the future needs of the market, what can be optimized? Over the course of two years, we developed and tested the system to meet the strictest standards in wind and water tightness, burglary resistance, acoustics, and load-bearing capacity. At every stage of development, we focused on creating a more efficient production and installation process for our partners.

The result is the new MC55: its name refers to the slim 55 mm view width. This sleek look scores high on aesthetics while allowing for heavy glass weights, spans of up to 7 meters are no longer an obstacle. The MC55 can be executed in two ways: either a straight cut or a stepped cut version.

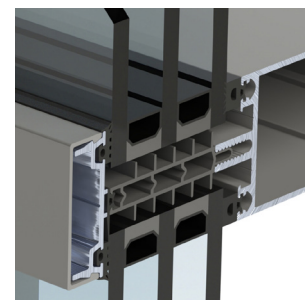
We are currently launching the MC55 and the more insulating MC55 Passive, but we're not stopping there. We are actively developing additional versions: the highly insulating MC55 Passive+, the fire-resistant MC55, and the MC55 Glass, which enables the creation of visually all-glass facades.

Advantages MC55

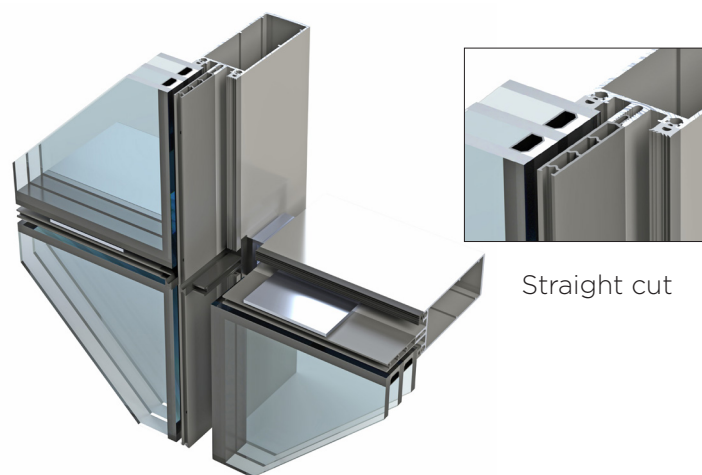
- Unlimited design freedom
- More efficient and fast assembly
- Greater flexibility: choice between straight and stepped cut
- Simplified glass tables
- Larger load capacities for heavy glazing
- More options for invisible internal reinforcement
- Inertias up to more than 3000 lx (without steel)
- Meets the most stringent standards



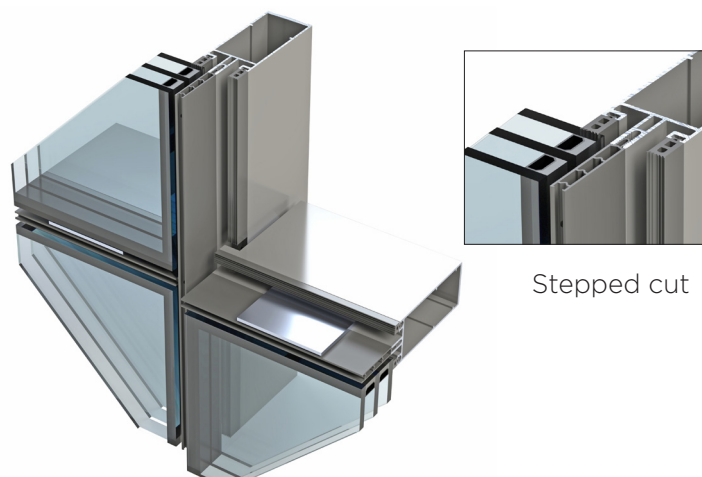
MC 55



MC 55 Passive



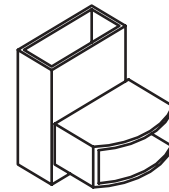
Straight cut



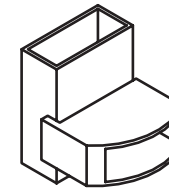
Stepped cut

Specifications

	MC 55	MC 55 PASSIVE
UF-VALEU - EN ISO 12631, EN ISO 12567-1, EN 12412-2	1.2 W/m ² K*	1.1 W/m ² K*
AIR TRANSMISSION - EN 12153, EN 12152	Class 4	
WATERTIGHTNESS - EN 12155, EN 12154	Class RE2100	
RESISTANCE TO WIND - EN 12179, EN 13116	2100 Pa / 3150 Pa	
BURGLARPROOF - EN 1627	RC2	
ACOUSTICAL INSULATION - EN ISO 10140-2; EN ISO 717-1	up to 46.5(-2;-5.6)	



Straight cut



Stepped cut

Performance and properties always vary according to dimensions and construction.

* +ISO 12631 0,3

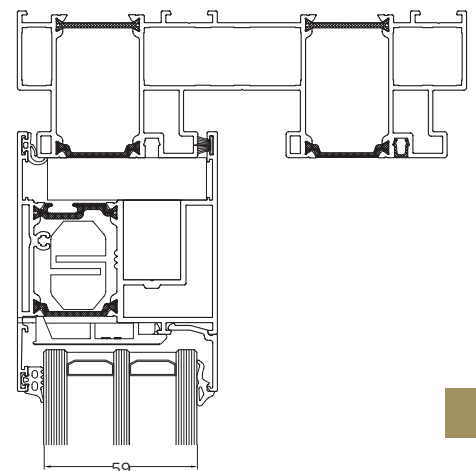
Project in the spotlight: Lecot Biermans Breda

One of the first projects where the MC55 was successfully integrated, is the new Lecot Biermans building in Breda. This 6,500 m² facility, featuring a store, offices, and logistics center, was designed by Oomen Architecten. The facade construction was carried out by construction company Willy Naessens and JM van Delft & ZN. In addition to the curtain wall, Star75 fire-resistant RSI doors were also installed. We were able to move exceptionally fast on this beautiful project: because we manage all key processes, such as extrusion, powder coating, and thermal break insertion, in-house at a single location, we can guarantee short and highly reliable delivery times. The decision was made in February, and just five weeks later, the first facades were already on-site.



New recessed wing for Ultraglide

To meet even the most stringent energy efficiency requirements, our R&D department has developed an updated version of the Ultraglide. Thanks to the new recessed sash, it is possible to fit triple glazing with a thickness of 59 mm. This allows insulation values of up to Ug 0.6 W/m²K to be achieved, without compromising on other performance.



Expansion colour world

Aliplast expands its colour palette to meet tomorrow's trends today. With pride, Aliplast is launching a new, on-trend range of anodised coatings under the name Ano-Lux. This colour collection is covered by our 25-year colour guarantee.

In addition, Aliplast is introducing an entirely new colour range: Natural Touch. This collection features seven warm, earthy shades with a fine-textured finish, perfectly aligned with current trends in contemporary architecture. Natural Touch offers architects and designers the opportunity to enrich their projects with nature-inspired tones that bring a sense of calm and harmony to any space. The Natural Touch range is also included in our 25-year colour guarantee.

With the launch of Ano-Lux and Natural Touch, Aliplast aims to provide its clients with the finest options for their creative endeavours. Aliplast continues to closely monitor emerging trends and remains committed to delivering high-quality, trendsetting products that meet the demands of modern architecture. These new additions reaffirm Aliplast's dedication to innovation and progress.

Natural Touch: MKTG0099



Ano-Lux: MKTG0100



[Download the overview](#)



Faulty colour range

We have noticed that faulty colour ranges of our TC series are in circulation. Due to an internal error, in 2023 several black fine-textured colour chips were incorrectly printed with the colour code 901TTC, however, this code has not been in use since 2020. That code was then replaced by 901-TC. This colour code refers to a white colour and therefore not the black colour on which the old code was printed.

If you have a colour range that contains a colour plate with the code 901TTC, we recommend asking your contact person at Aliplast for a new, correct colour range of the TC series.

We apologise for this inconvenience.

Fairs

Future Facade 2025

Aliplast was present at the Future Facade fair in Utrecht (NL) on May 7th and 8th. At this international trade fair aimed at professionals, we showcased how Aliplast's various systems can add value to their projects.



Next fairs

- 10 - 12 September RiverEvent Ghent - Antwerp - Brussels
- 16 - 19 September RiverEvent Zwolle - Rotterdam - Den Bosch
- 30 - 31 October Architect@Work Amsterdam

Venice Biennale

Aliplast is present at the Venice Biennale

Currently, the Venice Biennale is taking place, a leading international art exhibition that occurs biennially. It is one of the oldest and most prestigious international art exhibitions in the world. Various countries have a national pavilion where they can showcase their projects. The current edition runs from May 10 to November 23, 2025.

The Belgian architecture firm Laboratoire has exhibited several of its projects there, in which Aliplast systems are integrated. We highlight some top projects:

La Roseraie guesthouses

The “Domaine de la Roseraie” aims to increase the tourist accommodation capacity of the site and further develop the facilities. For this purpose, glass guesthouses were developed that fit into the natural environment. Each unit is placed on stilts and designed to be easily dismantled. Aliplast’s VG500 sliding windows were integrated into these guesthouses.



Foto: Nicolas da Silva Lucas

Thier des Malades guesthouses

Located on a steep hill overlooking the Meuse, Thiers des Malades (TDM) forms a transition zone between the city and the flowing river landscape. The architecture firm Laboratoire has also designed a striking project for this.

Each cell functions as an open-plan space, structured by two technical cores and anchored into the rock. Its flexibility allows for various configurations, from single-family homes to modular hospitality programs. The spatial organization encourages both lateral extensions and vertical growth, following the site’s natural slope.

Conceived as an open system, the project is designed for reversibility, with an assembly of steel beams ensuring minimal environmental impact and future reconfiguration. Spanning the cliffside and valley, the structure serves not only as a place of habitation but also as connective infrastructure, linking the upper and lower parts of the site with further development yet to unfold. Aliplast systems were also integrated into this project: the universal VG500 sliding window and the minimalist Miniline sliding window.



Foto: Séverind Malaud

Venice Biennale

At the Biennale, visuals of the various projects, as well as a model of the TDM project, are exhibited in Palazzo Bembo.

For more information about the Biennale, visit the website <https://www.labiennale.org/en>

Palazzo Bembo:
San Marco 4793
30124 Venice
<https://www.labiennale.org/en/noticeboard/495>

QR code for the brochure
with projects:



With the collaboration of:
Laboratoire architecture
Avenue Reine Astrid 55, 4500 Huy
<https://laboratoirearchitecture.be/>



Sustainability



Aliplast has joined BGBC

BGBC New 'Founding' Members



Supportive Members



Aliplast is proud to be part of the Belgian Green Building Council (BGBC) as a founding partner, a new platform that unites the leading players in the entire construction sector. Together, we aim to accelerate the transition to a more sustainable construction sector in Belgium.

The BGBC is a platform for exchange and cooperation between actors from the entire real estate sector, government and academic institutions. By sharing knowledge, harmonizing sustainability standards and supporting policymakers, the organization seeks to create a clear and workable framework for sustainable building.

Aliplast has been selected as a member of the BGBC based on its proven commitment to sustainability. The board of this group carefully selects companies that truly make a difference in the construction sector. The recognition of Aliplast as one of the leading companies in its sector in terms of sustainability confirms our frontrunner role and our enduring commitment to a greener future.

The mission of the BGBC is clear: to develop a common language and shared vision that unites the entire sector. This way, we can collectively address today's major challenges and put Belgium on the map as a leader in sustainable real estate.

An important focus is reducing the administrative burdens that often delay sustainable initiatives. The BGBC advocates for simplified regulations and clear definitions, for example, around circular construction and the reuse of materials. Within a year and a half, the platform aims to establish widely supported sustainability standards.

You can find more information about the BGBC at <https://www.belgiangbc.be/en>.

Sustainability

New! B-EPD Certificates for Star 75 available

Discover how sustainable innovation can strengthen your projects



We are pleased to announce that the first three B-EPD certificates for our revolutionary product, the Star 75, are now available on Totem! In addition, the LCA results of the Star 75 are also available in the Dutch Environmental Database (NMD). This means you can now rely on comprehensive environmental data to make your projects even more sustainable.

What does this mean for you?

The Star 75 complies with the strictest environmental regulations in Belgium and the Netherlands. With the availability of the B-EPD certificates and the LCA results, you get instant access to reliable and validated environmental data. This helps you make sustainable choices in your designs and create future-proof buildings.

What do Totem and NMD do?

Totem: Totem is a Belgian platform that helps building owners, architects and other construction professionals design buildings with minimal environmental impact. By using advanced simulations and analyses, Totem provides valuable insights into the life cycle of building materials and their ecological footprint.

NMD: The Dutch Environmental Database is an indispensable tool for Dutch construction professionals. This platform contains detailed environmental data on building products, allowing you to easily comply with environmental regulations and make sustainable choices within your construction processes.

Why choose Star 75?

With Star 75, you take a step towards innovation and sustainability. By using products validated in both Totem and NMD, you are not only contributing to eco-friendly building solutions, but also reinforcing the quality and credibility of your projects.

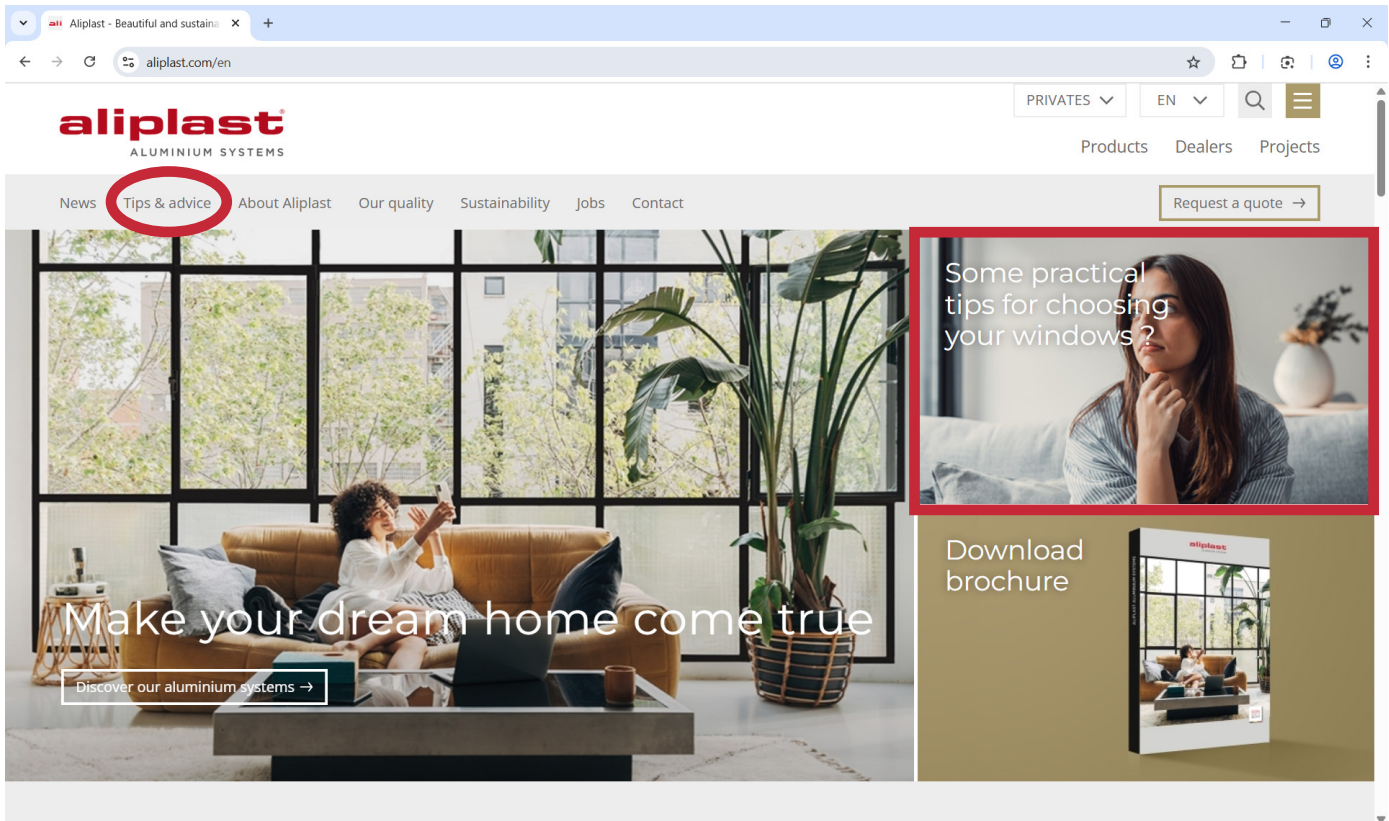
Get started with the Star 75 today! Visit Totem and NMD for more information on certificates and results. Together, we are building a sustainable future.

Tips & advice

Have you already seen the webpage about our tips and tricks?

On our website, we regularly share tips and advice for choosing aluminium windows. These insights also help address questions that private clients might have during the selection process.

<https://www.aliplast.com/en/tips>



What about thermal insulation in aluminium windows?

Choosing windows and doors is no easy task. There are many factors to consider: maintenance, cost price, aesthetics, etc. But what about the insulation value? We explain it clearly for you here.

[Read more →](#)



Why choose a minimalist sash window in aluminium ?

Minimalism is a trend that has become increasingly popular. In this article, we will discuss why choosing a minimalist sash window in aluminium is a smart choice.

[Read more →](#)



What are the standard dimensions of aluminium windows?

Windows provide the final touch to the exterior of your home. But what are the standard dimensions? And what are the latest trends?

[Read more →](#)

Project in the picture

Stylish villa with sustainable technologies



In contemporary architecture, sustainability, comfort and aesthetics take centre stage. In a stylish new-build home in Brussegem, these three aspects come together perfectly. The client wanted a home in a unique living environment, equipped with innovative, sustainable technologies and a sleek design.

Cooperation as the key to success

The request to realise this house came to AJ - Architects. Since the client opted for precast concrete construction, AJ - Architects immediately took contact with Concrete House, a specialist in building low-energy houses.

Thanks to Concrete House's precast concrete construction and the high-quality windows from Alu-Xtra, fitted with aluminium profiles from Aliplast Aluminium Systems, this project was realised quickly and efficiently under the expert guidance of architect Barbara Leenaards. Throughout the entire project, AJ - Architects provides follow-up in order to relieve the building owner of all the worries. As a result, architect Barbara Leenaards is in contact with all parties involved during both the preparation and execution phases on site.

Specialised in aluminium systems

Aliplast supplied the window profiles for this project. As a specialist system house, Aliplast develops and produces aluminium solutions for interior and exterior joinery. Alu-Xtra then processes these profiles into custom-made window frames. The long-term cooperation between Aliplast and Alu-Xtra is based on shared expertise and quality.

Christophe Boexstaens of Alu-Xtra: 'we consciously choose Aliplast because of the advantages offered by this Belgian system house. Aliplast manages the entire production process internally, which ensures efficient and reliable cooperation.'



Project in the picture

Jourik Duwez, sales manager of Aliplast: 'we extrude, powder coat and insulate our profiles ourselves. Everything is done under one roof. This sets us apart from our competitors. Since we completely manage these important processes ourselves, we can deliver many advantages to our distributors, the professional window manufacturers. We do not depend on suppliers. As a result, we are much more flexible and can guarantee short, but also very reliable delivery times. In addition, Aliplast is strongly committed to sustainability, with aluminium profiles consisting of more than 30% recycled material and produced using energy-efficient methods.'

25-year colour guarantee

Jourik: 'As we manage all the steps of the painting process in-house, we ensure maximum control of the quality process. By powder-coating the aluminium with high-quality powders, the windows and doors can withstand the harshest weather conditions. This is why we offer our profiles with a 15-year paintwork guarantee as standard. We even have a colour range with a 25-year paint guarantee, unique in the industry compared to the usual 10 years. The end customer can count on better colour and gloss stability, increased scratch resistance, better UV resistance, longer weather resistance and better resistance to aggressive environments and harsh weather conditions.'

The result: a sustainable and aesthetic home

The house combines concrete with white façade cladding, creating a harmonious balance between privacy and openness. Inside, however, the house is fully connected to the outside world through large glass windows, which allow seamless interaction with the natural environment.

Aliplast's Star 75 system was chosen for the windows, while the sliding windows were realised with the Ultraglidle system. Both systems combine aesthetics with excellent technical performance and offer high thermal insulation, contributing to the impressive energy level of -16.

To achieve this exceptional energy efficiency, the villa was equipped with sustainable technologies such as a geothermal heat pump, floor heating, balanced ventilation and solar panels. Thanks to these features, the house generates more energy than it consumes. Besides lower energy costs, this also results in a smaller ecological footprint and increases both the value and living comfort of the house.



Project in the pipeline

New hospital Vitaz Lokeren



The VITAZ Lokeren campus will be green and inviting. Three building blocks house the hospital functions, connected by a central zone that remains transparent. Green strips with planting and water basins between the blocks will provide lines of sight through and from the building.

Aliplast is particularly proud to be able to help build a new hospital in our own city. With our newly developed curtain wall system, we contribute to the modern and aesthetic appearance of the building. Our Star 75 and various project-specific profiles will also be integrated into this project.

Renderings: G.A.F.



Tests

Our systems are regularly tested for air tightness - water tightness - wind resistance - burglar resistance - operating forces - acoustics and fire resistance.

These tests have been successful and we are awaiting the test reports which will then be added on our testreport browser as soon as available.

Acoustic test

- Vliesgevel MC55 - stepped cut
Format: 3500 mm wide x 6800 mm high

Acoustic values up to 46 db (-2;-5,6)

General tests MC55

Curtain wall MC55 - stepped cut and straight cut

- Format: 3500 mm wide x 6800 mm high
Air tightness: class 4
Water tightness: class RE2100
Wind resistance: class C4



Project test:

At Aliplast, we also do tests specifically for our customers' projects.

For Brebuild Hoboken - Alu Xtra
Test done for Star75 for wind and water tightness
Size: 3040 mm wide x 1950 mm height
Turn-tilt - turn window (with 2x fixed sidelights)



Software news

Please contact our technical department if you would like to install these software packages :

- Steve Heindryckx (steve.heindryckx@aliplast.com)
- Ismail Sahin (ismail.sahin@aliplast.com)
- Sebastien Caeldries (sebastien.caeldries@aliplast.com)

Chacal NEXT

In order to update prices and data correctly, the latest version of Chacal_NEXT is required.

Actual version: 1.7.25061

Cover

Cover software only **Softkey: 2.3.1.3104, library 2505.045**

Logikal

Actual version 12.6.0.803 - Databank: 23425

Need help?

Please contact Sieto Kuiken (sieto.kuiken@aliplast.com | +31 6 47 27 23 32) or via helpdesk.logikal@aliplast.com

IMPORTANT :

To avoid missing price corrections and always have the latest programme functions and solutions, for example creating and maintaining your own glass library and own articles, it is important to update of the software at least once a month. This only takes a few minutes.

Potential consequential damages resulting from failure to consistently perform these updates will no longer be accepted as a complaint..


Product updates

Serie	Description	Page
ALG	OTHER ORDER UNITS AVAILABLE DISCONTINUATION AND REPLACEMENT DISCONTINUATION	20 21 22
STAR65	MODIFICATION INNER HALF PART	23-24
STAR75	MODIFICATION INNER HALF PART	25-26
UG	NEW PROFILE / NEW ACCESSORIES	27-36
RS	NEW ACCESSORIES	37-38
SOBINCO	NEW ACCESSORIES	39-46
FUTURAL	MODIFICATION INNER HALF PART	47
INFINITY	NEW ACCESSORIES	48-51
TERRASSEN- DACH	NEW PROFILE / NEW ACCESSORIES	52

Overview

GENERAL


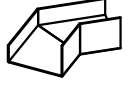



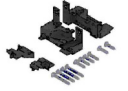


OTHER ORDER UNITS AVAILABLE

NUMMER NUMERO NUMBER NUMBER	AFBEELDING IMAGE BILD PICTURE	OMSCHRIJVING DESCRIPTION BESCHREIBUNG DESCRIPTION	PER PAR PRO PER
ACDV331		SCHARNIER CHARNIERE BAND HINGE	1 ✓ 20

Discontinuation

GENERAL







DISCONTINUATION AND REPLACEMENT OF PROFILES-ACCES

NUMMER NUMERO NUMBER NUMBER	AFBEELDING IMAGE BILD PICTURE	OMSCHRIJVING DESCRIPTION BESCHREIBUNG DESCRIPTION	PER PAR PRO PER
ACVR605			1
ACVR605A ACVR605B	 	KOPPELSTUK A VOOR VR621 PIÈCE RACCORD A POUR VR621 VERBINDUNGSSTÜCK A FÜR VR621 COUPLING PIECE A FOR VR621	
ACRS462			1
ACRS1462	 	SLUITSTUKJES VOOR DEUR MET RS493 DORPEL PIECE D'ETANCHEITE POUR PORTE AVEC SEUIL RS493 TURABSCHLUSS FÜR 1 TUR MIT SOLLPROFIL RS493 CLOSER SECTION FOR DOOR WITH SILL RS493	

Discontinuation

GENERAL

DISCONTINUATION

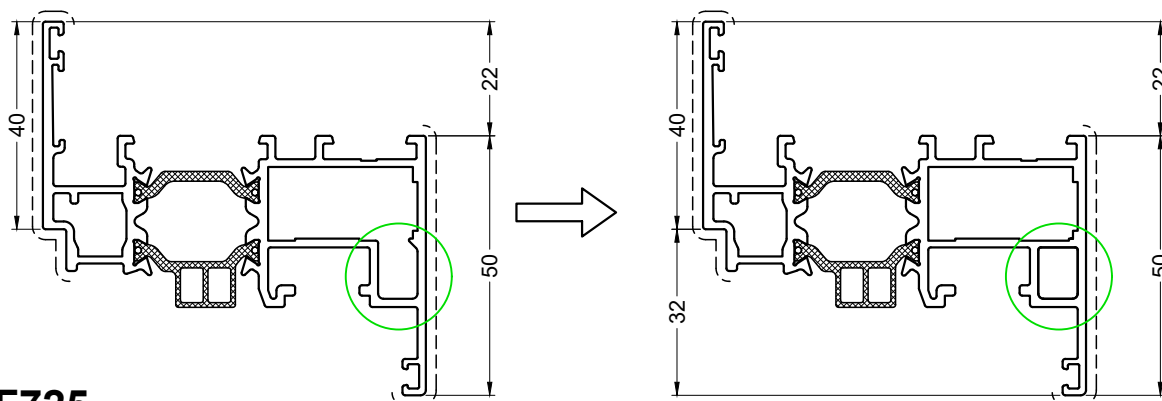
NUMMER NUMERO NUMMER NUMBER		AFBEELDING IMAGE BILD PICTURE	OMSCHRIJVING DESCRIPTION BESCHREIBUNG DESCRIPTION	PER PAR PRO PER
ACEF430			DEURGRENDEL VERROU PORTE TUR KANTRIEGEL EXTENDED BOLT	1
ACGSL083			BEVESTIGINGSSCHROEVEN VIS DE MONTAGE MONTAGESCHRAUBEN ASSEMBLY SCREWS	200
ACGSL609			SLOT (1 PUNT) SERRURE (1 POINT) SCHLOSS (1 PUNKT) LOCK (1 POINT)	50

Improvement

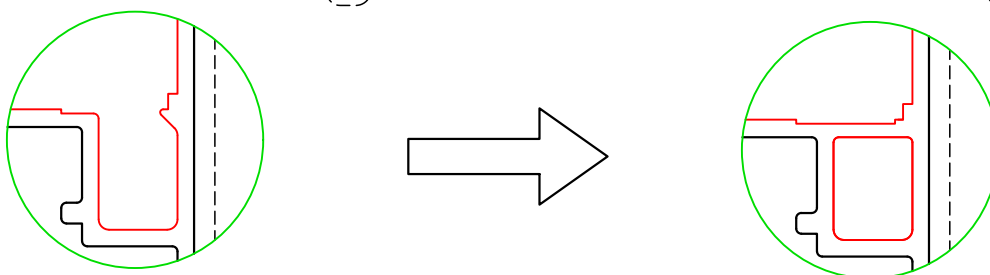
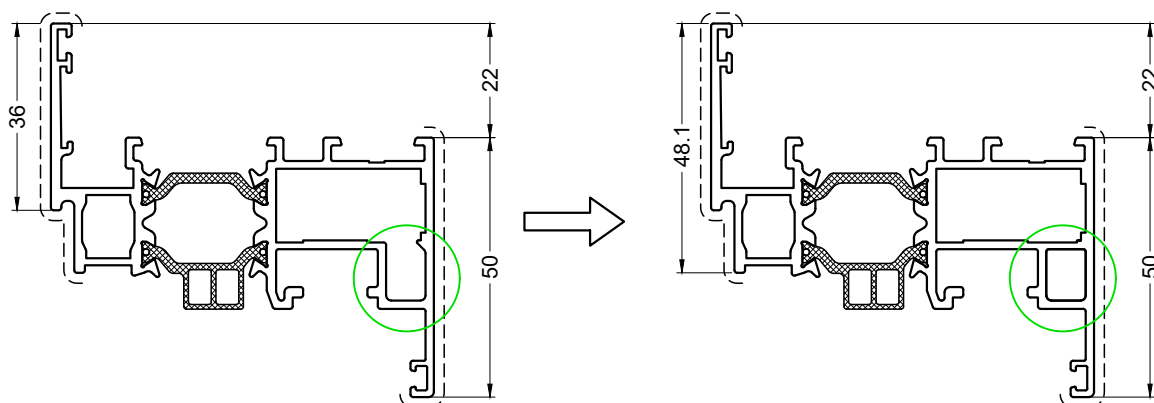
STAR65

MODIFICATION INNER HALF PART

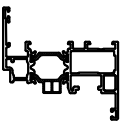
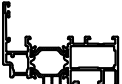
EF720



EF725



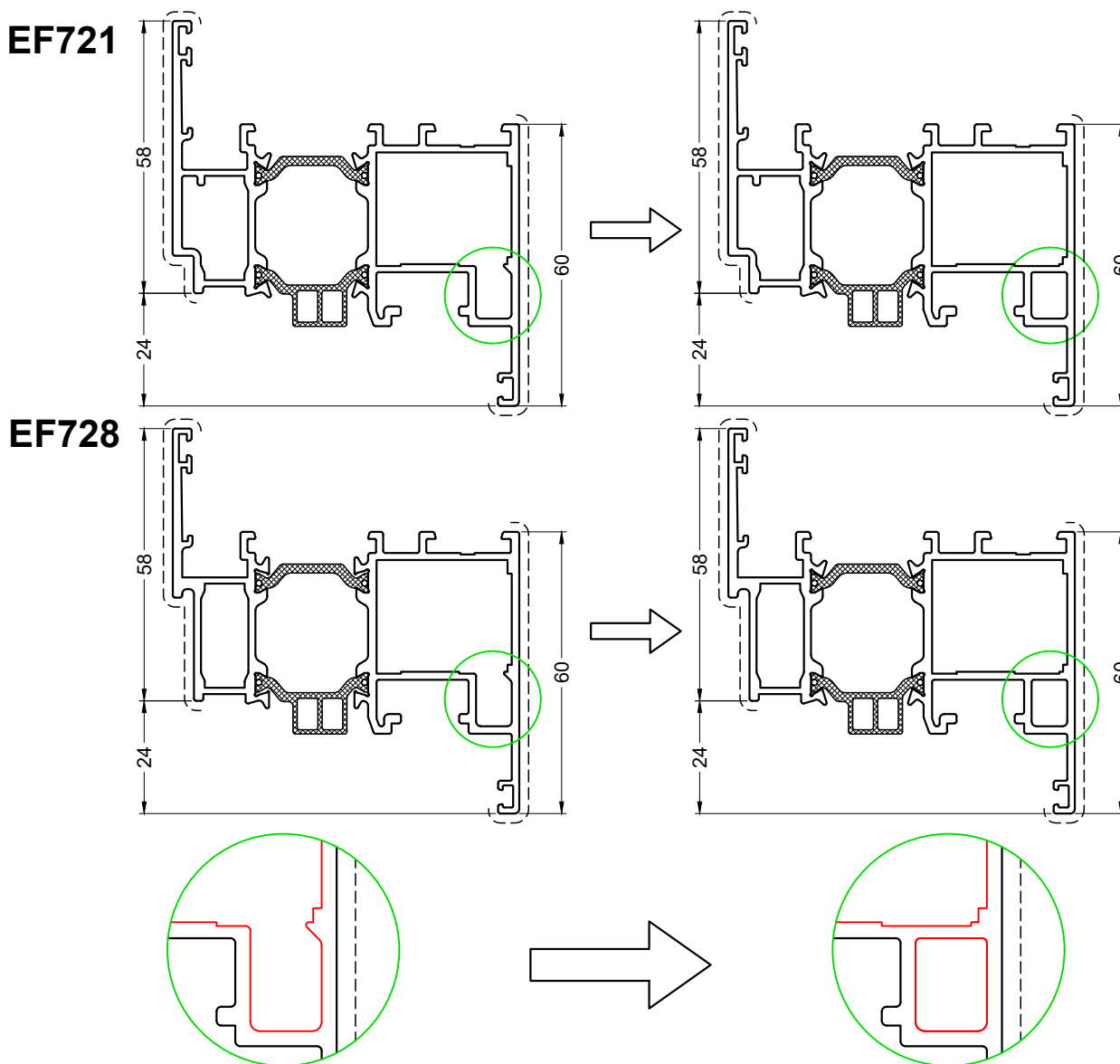
zie EF catalogo / voir le EF catalogue / siehe EF Katalog / see EF catalog

NUMMER NUMERO NUMBER NUMBER	AFBEELDING IMAGE BILD PICTURE	OMSCHRIJVING DESCRIPTION BESCHREIBUNG DESCRIPTION	PER PAR PRO PER
EF720		VLEUGELPROFIEL VOOR PVC BESLAG OUVRANT POUR QUINCAILLERIE PVC FLÜGELPROFIL FÜR PVC BESCHLAG WINDOW PROFILE FOR PVC HARDWARE 72MM GAP=5MM	6.5
EF725		VLEUGELPROFIEL VOOR PVC BESLAG OUVRANT POUR QUINCAILLERIE PVC FLÜGELPROFIL FÜR PVC BESCHLAG WINDOW PROFILE FOR PVC HARDWARE	6.5

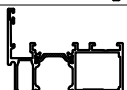
Improvement

STAR65

MODIFICATION INNER HALF PART



zie EF catalog / voir le EF catalogue / siehe EF Katalog / see EF catalog

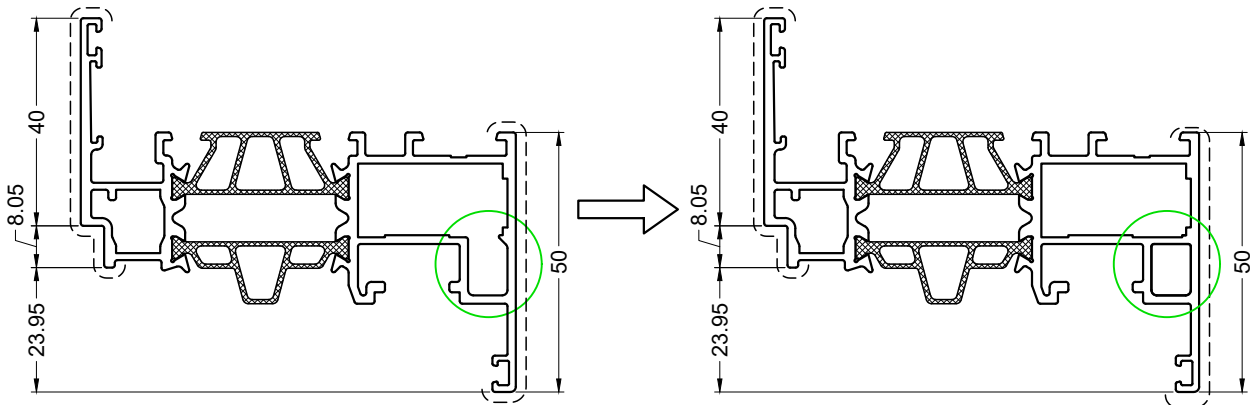
NUMMER NUMERO NUMBER	AFBEELDING IMAGE BILD PICTURE	OMSCHRIJVING DESCRIPTION BESCHREIBUNG DESCRIPTION	PER PAR PRO PER
EF721		VLEUGELPROFIEL VOOR PVC BESLAG OUVRANT POUR QUINCAILLERIE PVC FLÜGELPROFIL FÜR PVC BESCHLAG WINDOW PROFILE FOR PVC HARDWARE 82MM GAP=5MM	6.5
EF728		VLEUGELPROFIEL VOOR PVC BESLAG - AXE 9 OUVRANT POUR QUINCAILLERIE PVC - AXE 9 FLÜGELPROFIL FÜR PVC BESCHLAG - AXE 9 WINDOW PROFILE FOR PVC HARDWARE - AXE9	6.5

Improvement

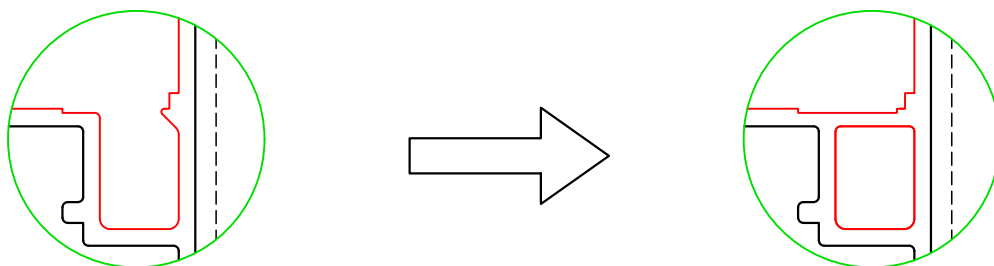
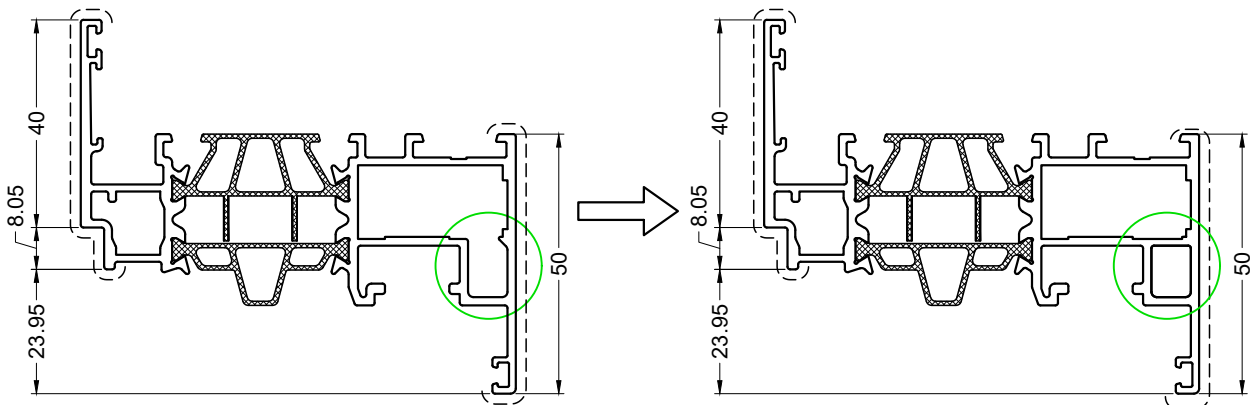
STAR75

MODIFICATION INNER HALF PART

RS720



RS720HI



zie RS catalog / voir le RS catalogue / siehe RS Katalog / see RS catalog

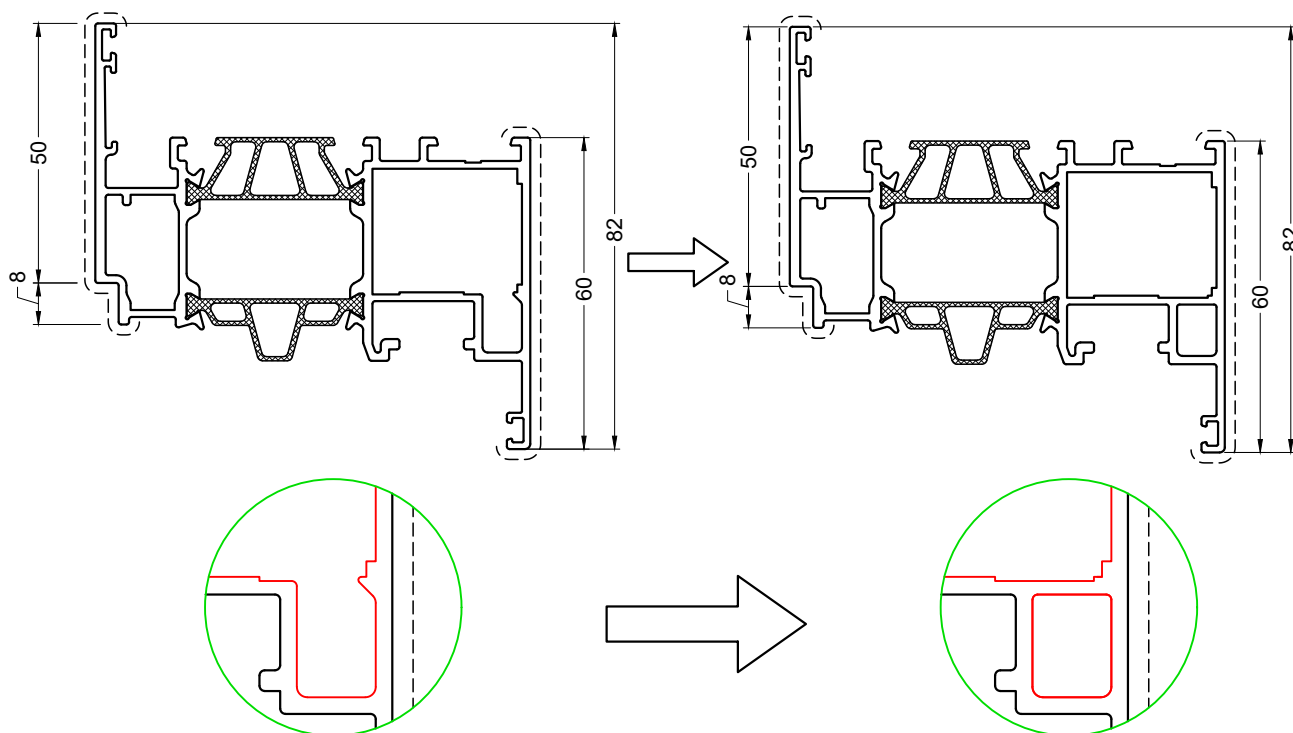
NUMMER NUMERO NUMBER	AFBEELDING IMAGE BILD PICTURE	OMSCHRIJVING DESCRIPTION BESCHREIBUNG DESCRIPTION	PER PAR PRO PER
RS720		VLEUGELPROFIEL 72MM PVC	6.5
		OUVRANT 72MM PVC FLUGELPROFIL 72MM PVC WINDOW PROFILE 72MM PVC	3.25
RS720HI		VLEUGELPROFIEL 72MM PVC OUVRANT 72MM PVC FLUGELPROFIL 72MM PVC	6.5

Improvement


STAR75

MODIFICATION INNER HALF PART

RS721



zie RS catalog / voir le RS catalogue / siehe RS Katalog / see RS catalog

NUMMER NUMERO NUMMER NUMBER	AFBEELDING IMAGE BILD PICTURE	OMSCHRIJVING DESCRIPTION BESCHREIBUNG DESCRIPTION	PER PAR PRO PER
RS721		VLEUGELPROFIEL 83MM PVC OUVRANT 83MM PVC FLUGELPROFIL 83MM PVC WINDOW PROFILE 83MM PVC	6.5 3.25

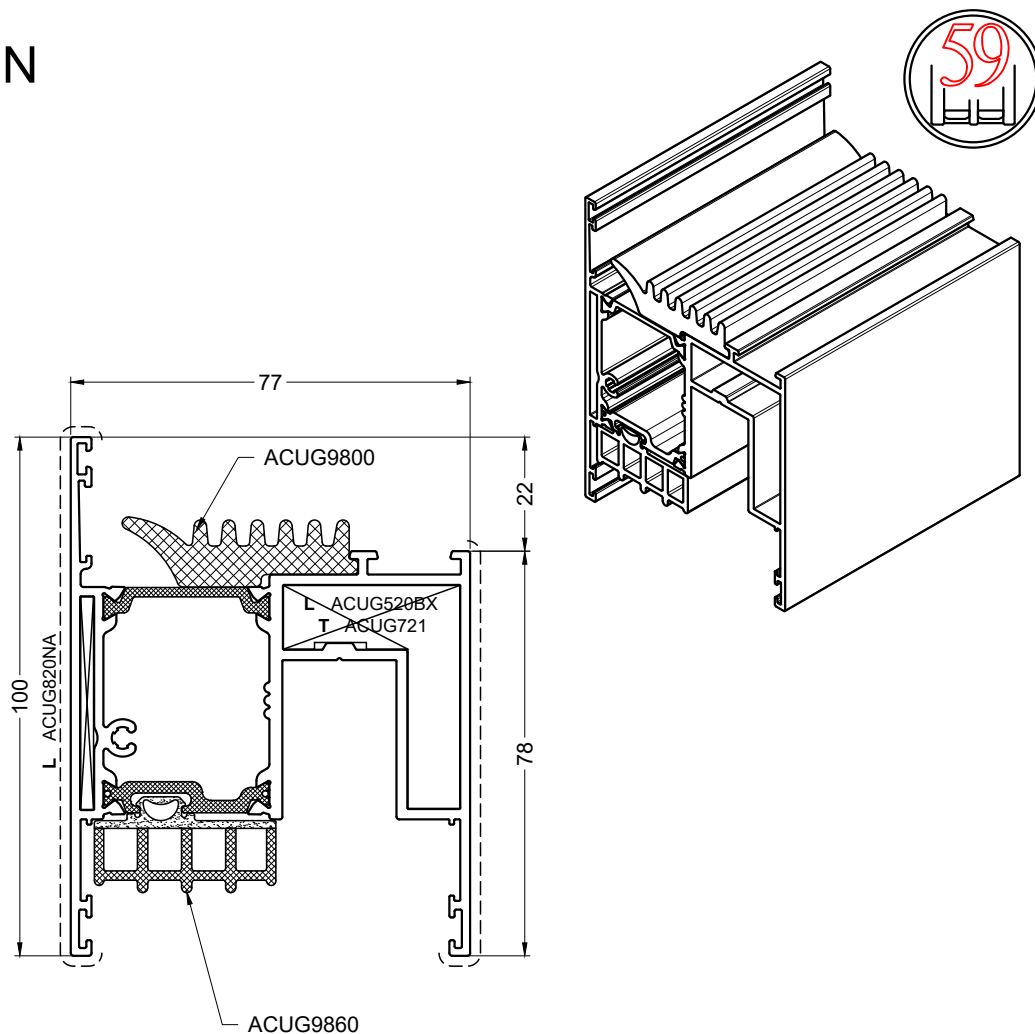
RS_WIJZ_02

New

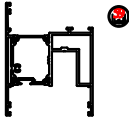
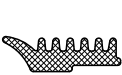

UG

NEW PROFILE / NEW ACCESSORIES

UG9820N



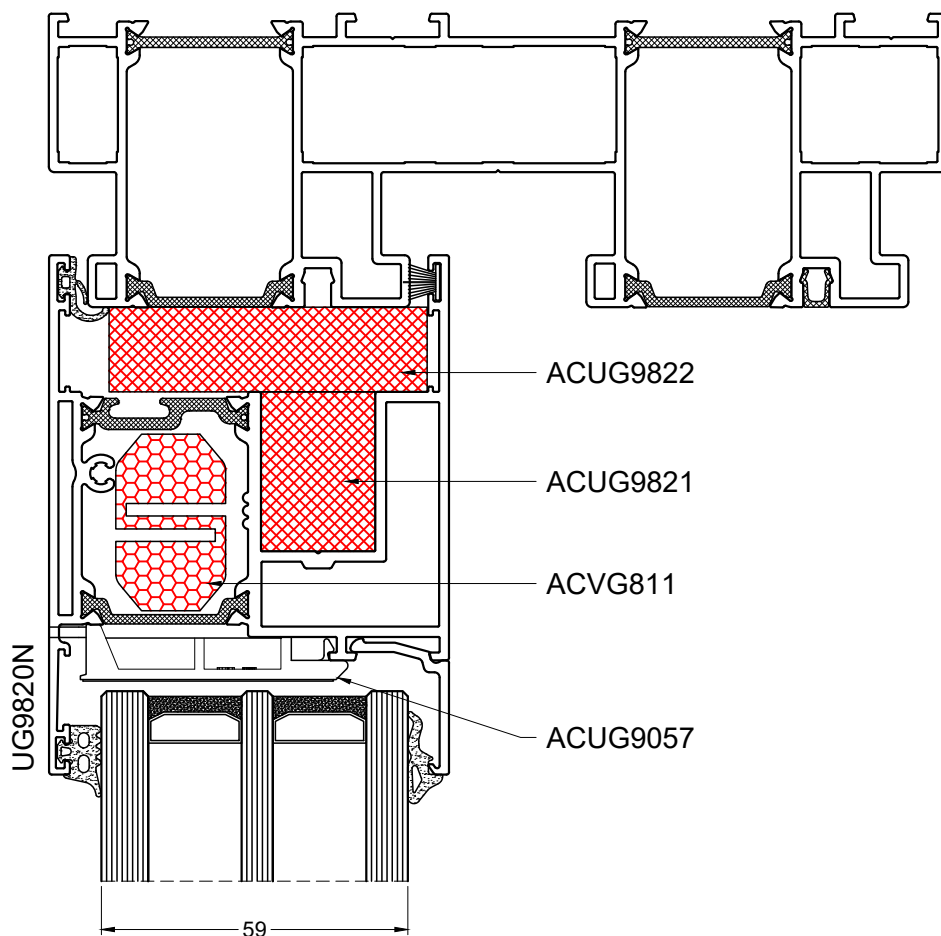
zie UG catalog / voir le UG catalogue / siehe UG Katalog / see UG catalog

NUMMER NUMERO NUMMER NUMBER	OMSCHRIJVING DESCRIPTION BESCHREIBUNG DESCRIPTION	PER PAR PRO PER
UG9820N	 VLEUGEL OUVRANT FLÜGEL VENT	6.5
ACUG9800	 ISOLERENDE VULSTUK ONDER GLAS CALE ISOLANTE SOUS VERRE ISOLIERSCHEIBE UNTER GLAS INSULATING FILLER PIECE UNDER GLASS	250
ACUG9860	 ISOLERENDE DICHTING JOINT ISOLANT ISOLIERENDE DICHTUNG INSULATING GASKET	30

New

UG

NEW PROFILE / NEW ACCESSORIES



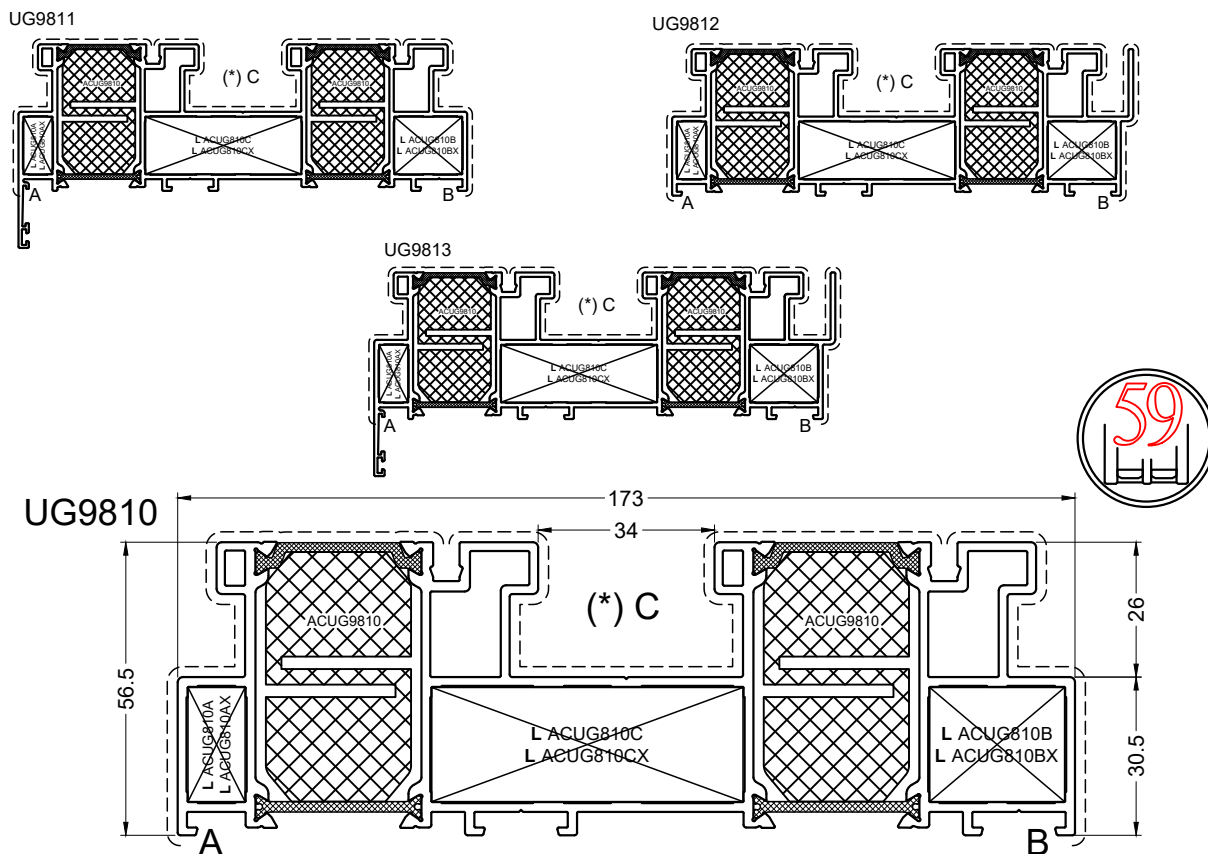
zie UG catalog / voir le UG catalogue / siehe UG Katalog / see UG catalog

NUMMER NUMERO NUMMER NUMBER		OMSCHRIJVING DESCRIPTION BESCHREIBUNG DESCRIPTION	PER PAR PRO PER
ACUG9821		IISOLERENDE STRIP COUVRE-JOINT ISOLANT ISOLIERSTREIFEN INSULATING STRIP	15
ACUG9822		IISOLERENDE STRIP COUVRE-JOINT ISOLANT ISOLIERSTREIFEN INSULATING STRIP	10
ACVG811		ISOLEREND VULSTUK PIECE DE REMPLISSAGE ISOLEE ISOLIERENDES FÜLLSTÜCK INSULATING FILLING PIECE	15
ACUG9057		GLASSTEUN SUPPORT CALE DE VITRAGE GLASSTÄTZE AUFBAUELEMENT	100

New

UG

NEW PROFILE / NEW ACCESSORIES

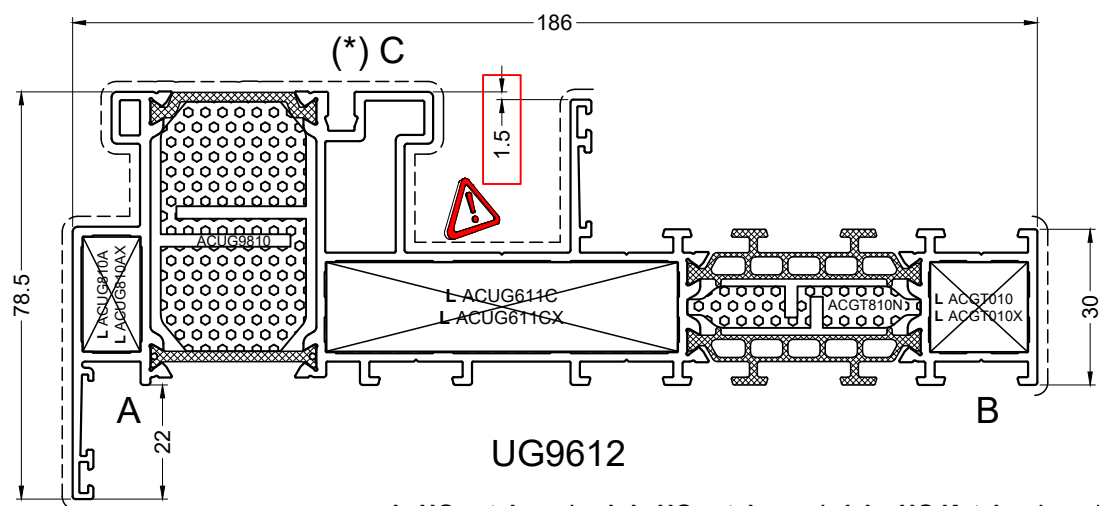
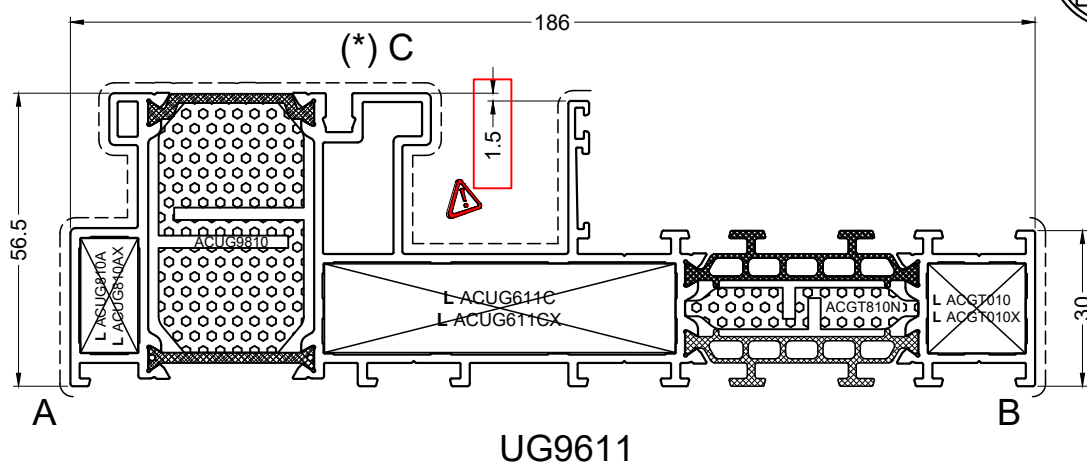


zie UG catalog / voir le UG catalogue / siehe UG Katalog / see UG catalog

NUMMER NUMERO NUMMER NUMBER	OMSCHRIJVING DESCRIPTION BESCHREIBUNG DESCRIPTION	PER PAR PRO PER
UG9810	BUITENKADER DORMANT BLENDRAHMEN OUTER FRAME 2-RAIL (173MM)	7.0
UG9811	BUITENKADER DORMANT BLENDRAHMEN OUTER FRAME 2-RAIL (173MM)	7.0
UG9812	BUITENKADER DORMANT BLENDRAHMEN OUTER FRAME 2-RAIL (173MM)	7.0
UG9813	BUITENKADER DORMANT BLENDRAHMEN OUTER FRAME 2-RAIL (173MM)	7.0
ACUG9810	ISOLERENDE STRIP COUVRE-JOINT ISOLANT ISOLIERSTREIFEN INSULATING STRIP	10

New UG

NEW PROFILE / NEW ACCESSORIES



zie UG catalog / voir le UG catalogue / siehe UG Katalog / see UG catalog

NUMMER NUMERO NUMMER NUMBER		OMSCHRIJVING DESCRIPTION BESCHREIBUNG DESCRIPTION	PER PAR PRO PER
UG9611		BUITENKADER BINNENBEGLAZING DORMANT VITRAGE INTERIEUR BLENDRAHMEN INNERE VERGLASUNG OUTER FRAME INTERIOR GLAZING MONORAIL (183MM)	7.0
UG9612		BUITENKADER BINNENBEGLAZING DORMANT VITRAGE INTERIEUR BLENDRAHMEN INNERE VERGLASUNG OUTER FRAME INTERIOR GLAZING MONORAIL (183MM)	7.0
ACGT810N		ISOLEREND VULSTUK PIECE DE REMPLISSAGE ISOLEE ISOLIERENDES FÜLLSTÜCK INSULATING FILLING PIECE	30

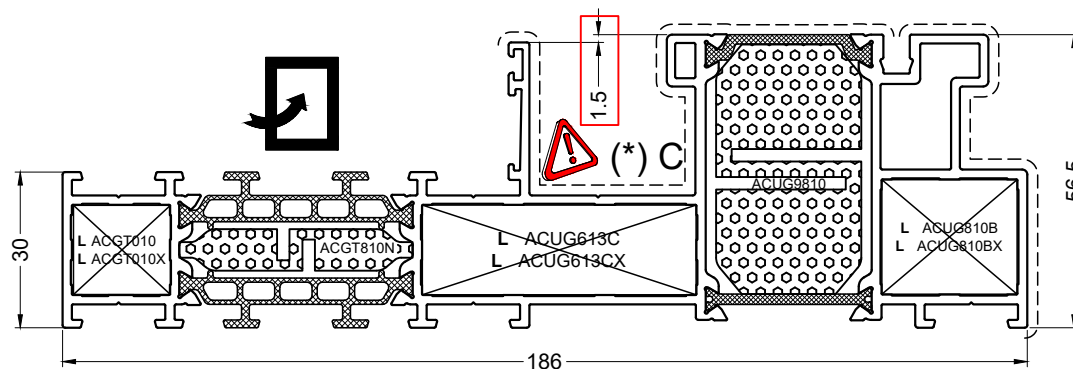
New

UG

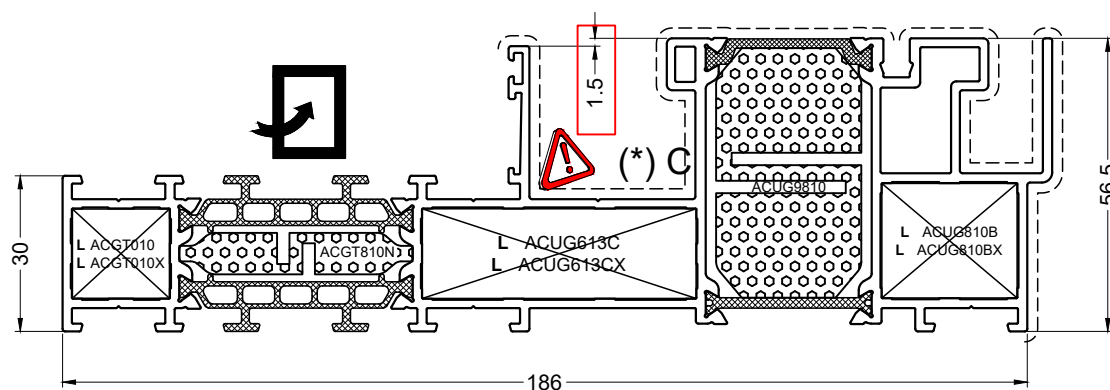
NEW PROFILE / NEW ACCESSORIES




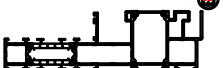
UG9613



UG9614



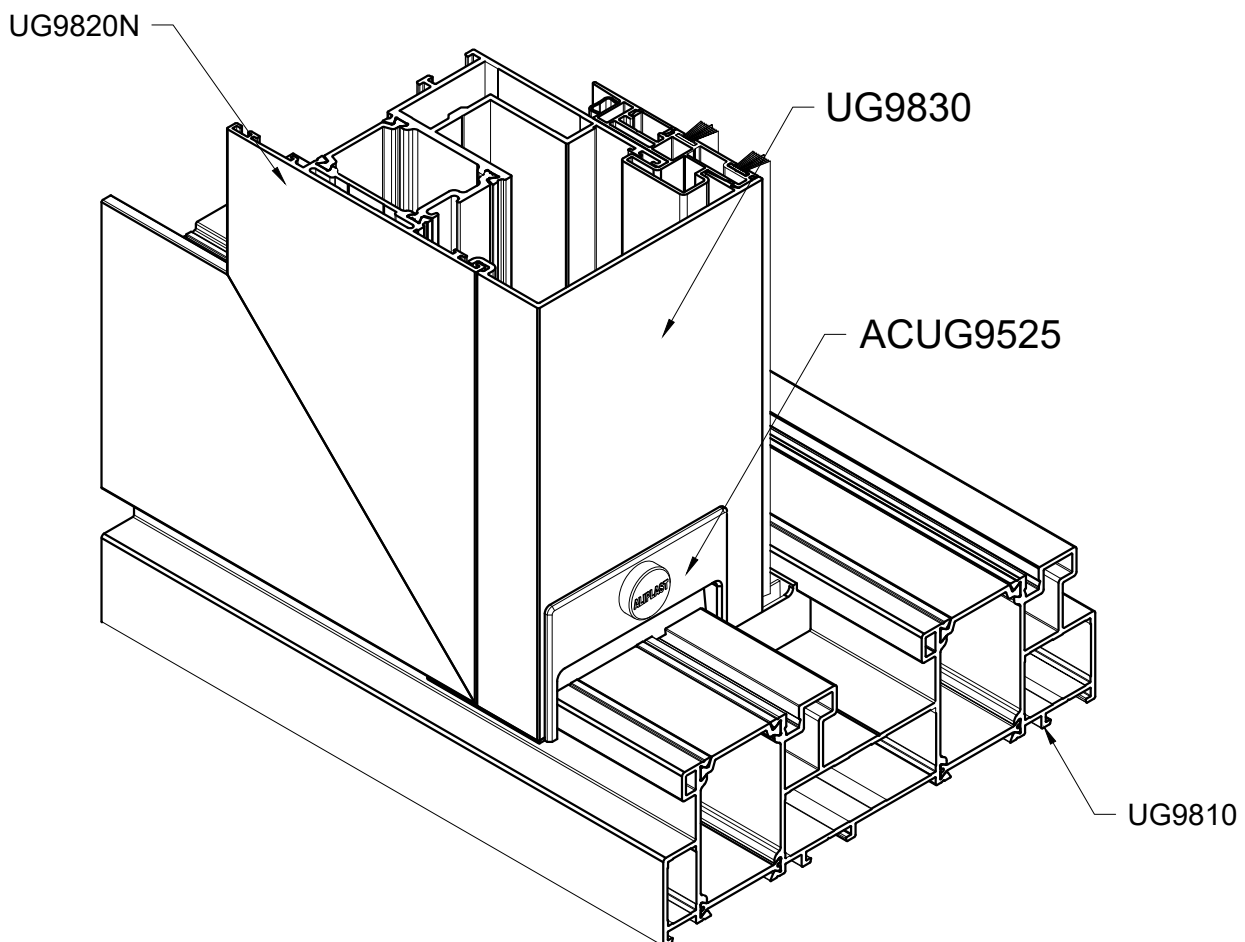
zie UG catalog / voir le UG catalogue / siehe UG Katalog / see UG catalog

NUMMER NUMERO NUMBER	OMSCHRIJVING DESCRIPTION BESCHREIBUNG DESCRIPTION	PER PAR PRO PER
UG9613	 BUITENKADER BUITENBEGLAZING DORMANT VITRAGE EXTERIEUR BLENDRAHMEN AUSSENVERGLASUNG OUTER FRAME OUTER GLAZING MONORAIL (183MM)	7.0
UG9614	 BUITENKADER BUITENBEGLAZING DORMANT VITRAGE EXTERIEUR BLENDRAHMEN AUSSENVERGLASUNG OUTER FRAME OUTER GLAZING	7.0

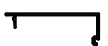



New

UG

NEW PROFILE / NEW ACCESSORIES



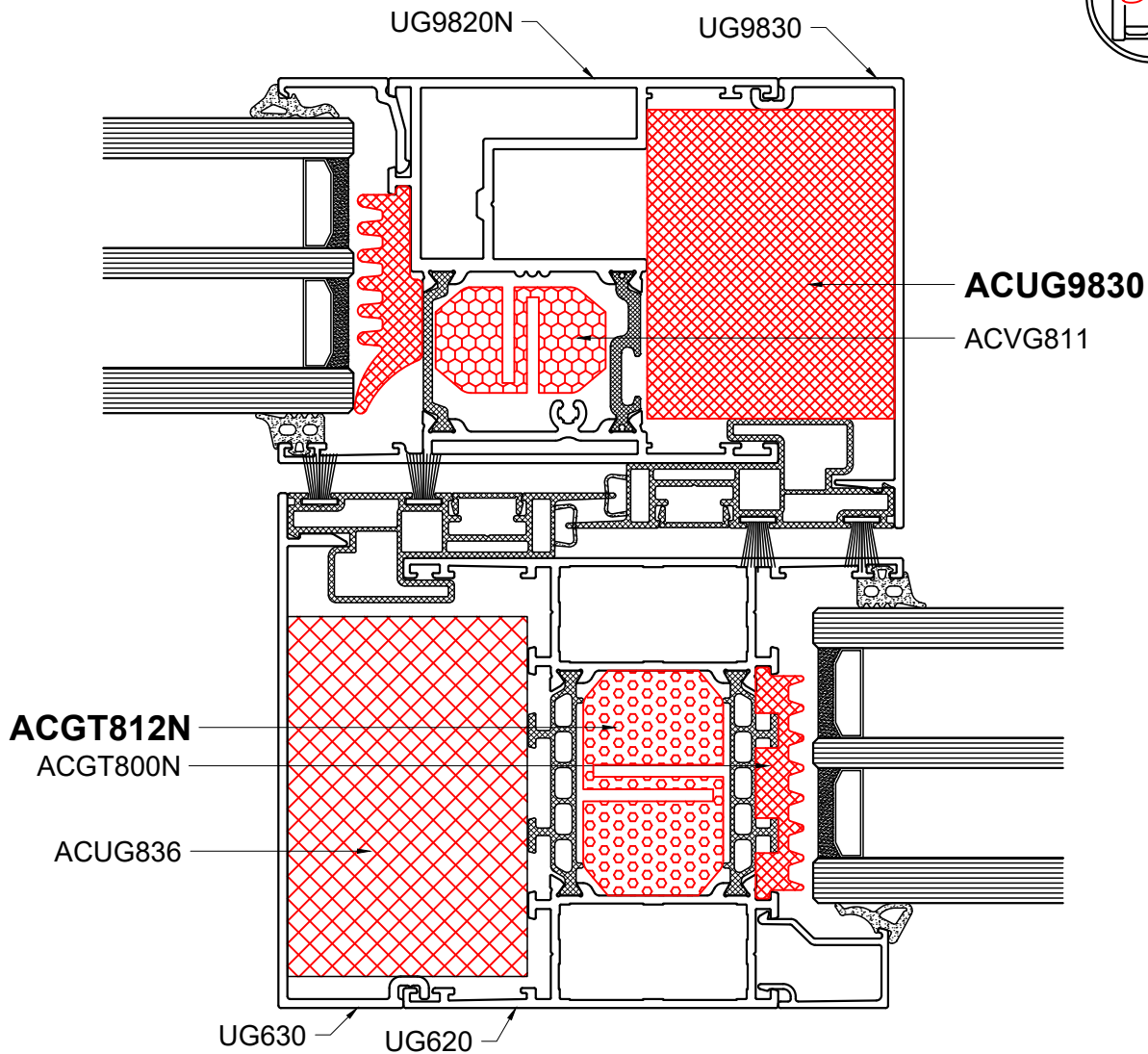
zie UG catalog / voir le UG catalogue / siehe UG Katalog / see UG catalog

NUMMER NUMERO NUMBER	OMSCHRIJVING DESCRIPTION BESCHREIBUNG DESCRIPTION	PER PAR PRO PER
UG9830	  AFDEKPROFIEL VLEUGEL PROFILE DE RECOUVREMENT OUVRANT ABDECKPROFIL FLUEGEL COVERING PROFILE SASH	6.5
ACUG9525	  SLUITSTUK MIDDENSTIJL GACHE LIAISON CENTRALE SCHLIESSSTÜCK STULPPROFIL LOCK PLATE MEETING STYLE	SET



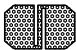
New

UG

NEW PROFILE / NEW ACCESSORIES



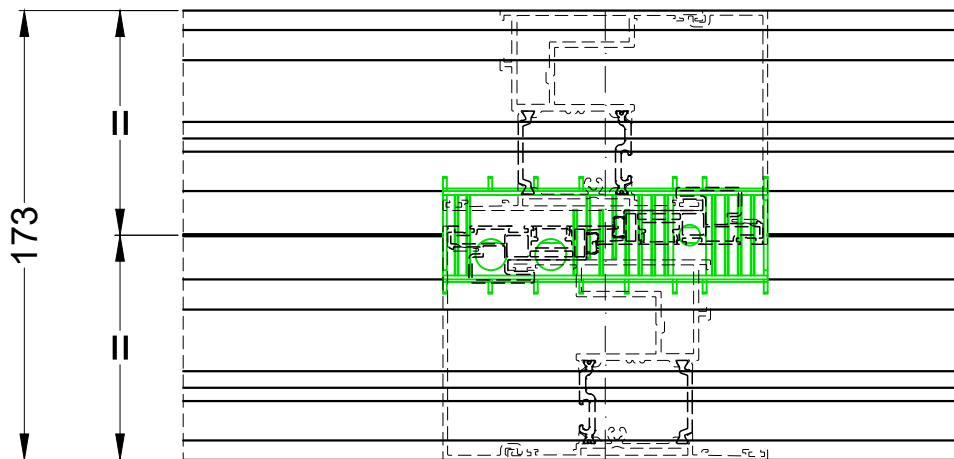
zie UG catalog / voir le UG catalogue / siehe UG Katalog / see UG catalog

NUMMER NUMERO NUMMER NUMBER	OMSCHRIJVING DESCRIPTION BESCHREIBUNG DESCRIPTION	PER PAR PRO PER
ACUG9830	  ISOLERENDE STRIP COUVRE-JOINT ISOLANT ISOLIERSTREIFEN INSULATING STRIP	5
ACGT812N	 ISOLEREND VULSTUK PIECE DE REMPLISSAGE ISOLEE ISOLIERENDES FÜLLSTÜCK INSULATING FILLING PIECE	10

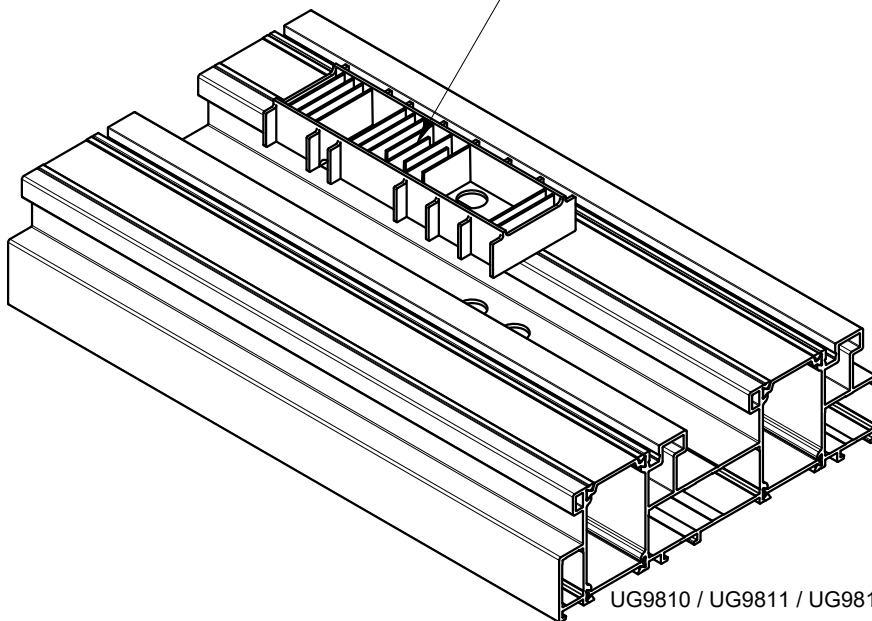
New

UG

NEW PROFILE / NEW ACCESSORIES



ACUG830PL



UG9810 / UG9811 / UG9812 / UG9813

zie UG catalog / voir le UG catalogue / siehe UG Katalog / see UG catalog

NUMMER
 NUMERO
 NUMBER
 NUMBER

OMSCHRIJVING
 DESCRIPTION
 BESCHREIBUNG
 DESCRIPTION

PER
 PAR
 PRO
 PER

ACUG830PL



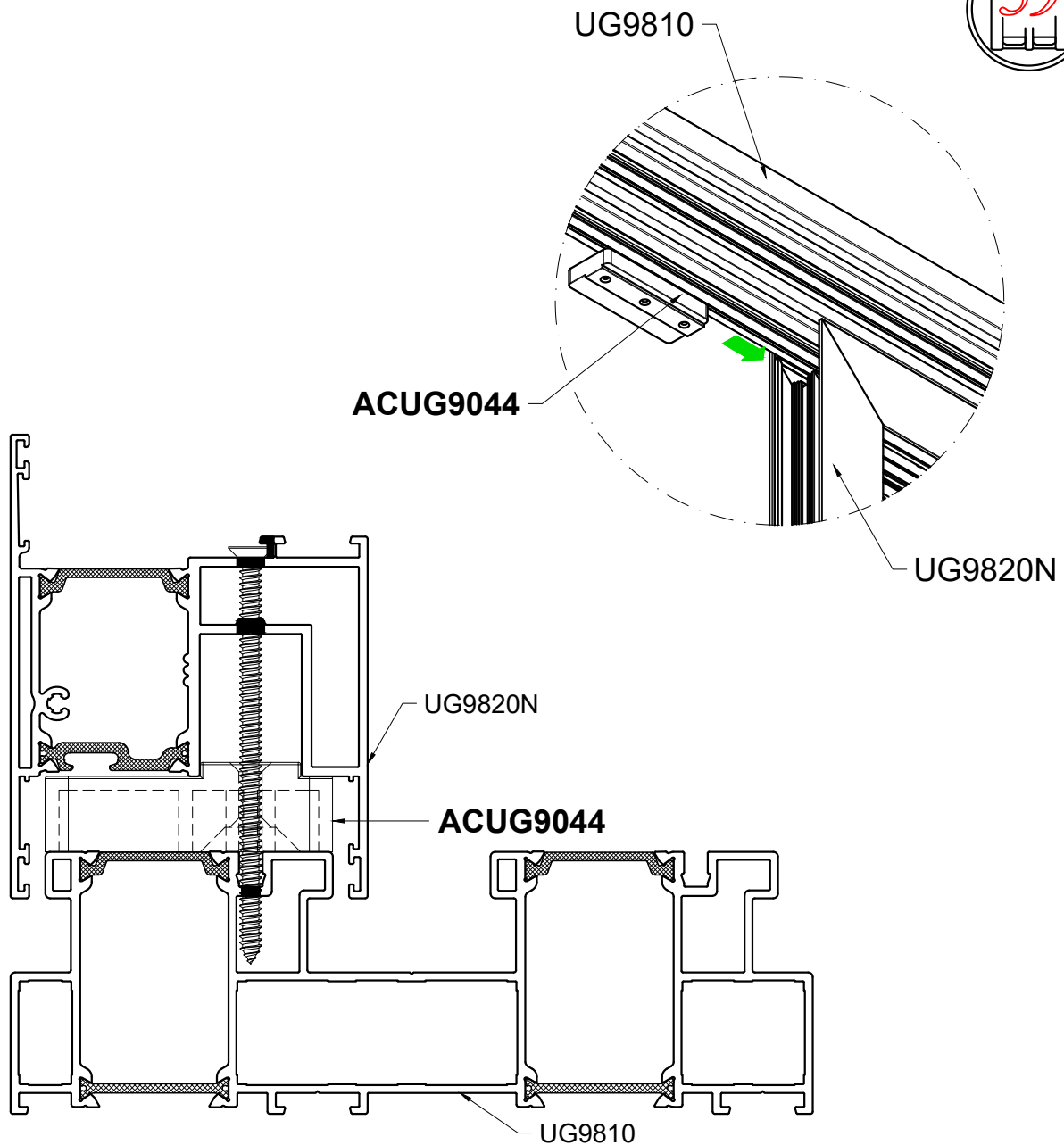
AFDICHTING
 FERMETURE
 ABDICHTUNG
 CLOSURE

SET

New

UG

NEW PROFILE / NEW ACCESSORIES



zie UG catalog / voir le UG catalogue / siehe UG Katalog / see UG catalog

NUMMER
NUMERO
NUMBER
NUMBER

OMSCHRIJVING
DESCRIPTION
BESCHREIBUNG
DESCRIPTION

PER
PAR
PRO
PER

ACUG9044



VLEUGELSTEUN
SUPPORT DE VANTAIL
FLUGELUNTERSTÜTZUNG
WING SUPPORT

SET

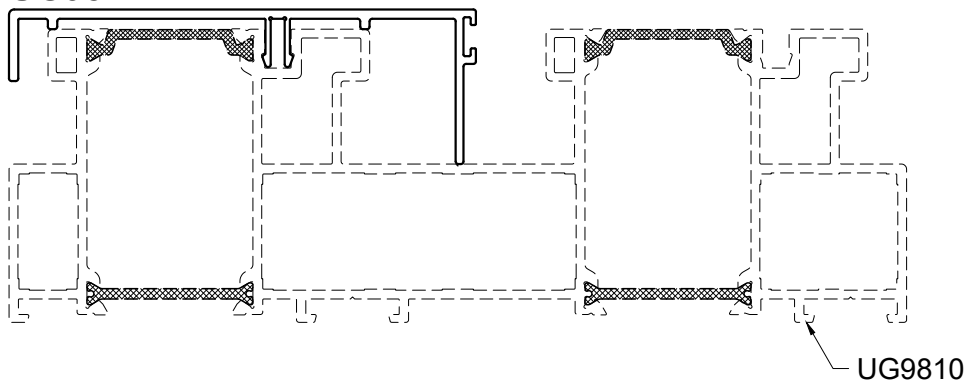
New

UG

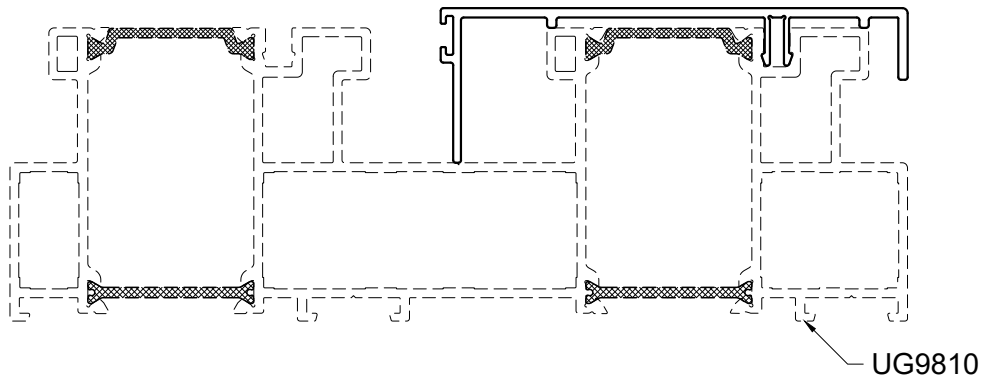
NEW PROFILE / NEW ACCESSORIES



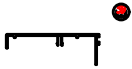

UG9814



UG9815



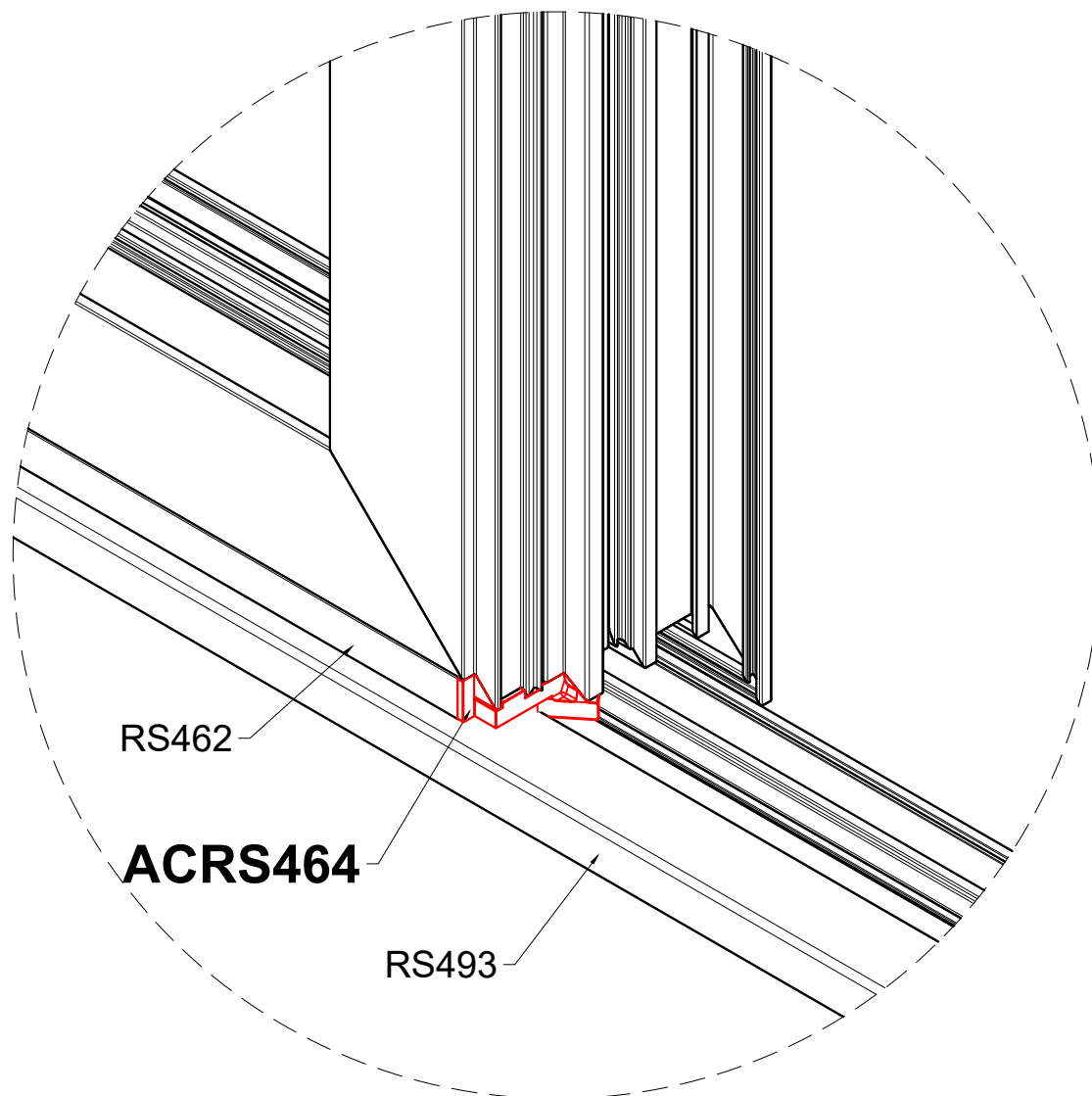
zie UG catalog / voir le UG catalogue / siehe UG Katalog / see UG catalog

NUMMER NUMERO NUMMER NUMBER	OMSCHRIJVING DESCRIPTION BESCHREIBUNG DESCRIPTION	PER PAR PRO PER
UG9814	 <p>AFDEKPROFIEL BUITENKADER PROFIL DE FINITION POUR LE CADRE EXTÉRIEUR ABSCHLUSSPROFIL FÜR AUSSENRAHMEN FINISHING PROFILE FOR OUTER FRAME</p>	6.5
UG9815	 <p>AFDEKPROFIEL BUITENKADER PROFIL DE FINITION POUR LE CADRE EXTÉRIEUR ABSCHLUSSPROFIL FÜR AUSSENRAHMEN FINISHING PROFILE FOR OUTER FRAME</p>	6.5

New

RS

NEW ACCESSORIES



zie RS catalogoog / voir le RS catalogue / siehe RS Katalog / see RS catalog

NUMMER NUMERO NUMMER NUMBER	AFBEELDING IMAGE BILD PICTURE	OMSCHRIJVING DESCRIPTION BESCHREIBUNG DESCRIPTION	PER PAR PRO PER
--------------------------------------	--	--	--------------------------

ACRS464



EINDSTUK RS462 DUBBELE OPDEKDEUR MET DORPEL
PIECE FINALE RS462 PORTE A FRAPPE DOUBLE AVEC SEUIL
ENDKAPPE RS462 DOPPELANSCHLAGTUR MIT TURSCHWELLE
END PART RS462 DOUBLE TOUCH DOOR WITH SILL

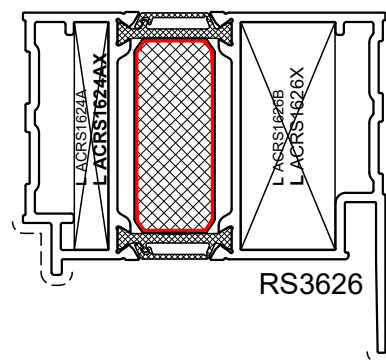
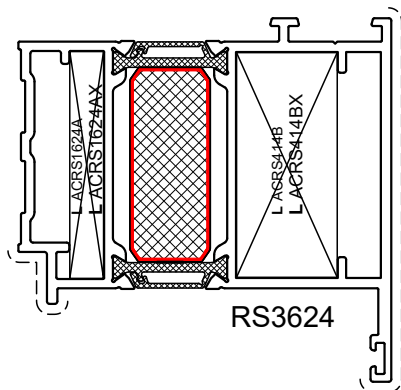
SET

RS_NEW_01

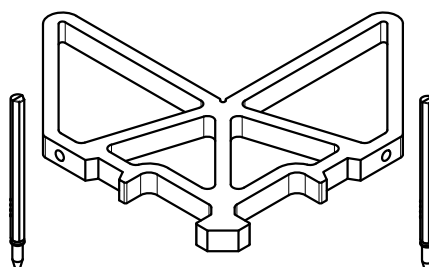
New

RS

NEW ACCESSORIES



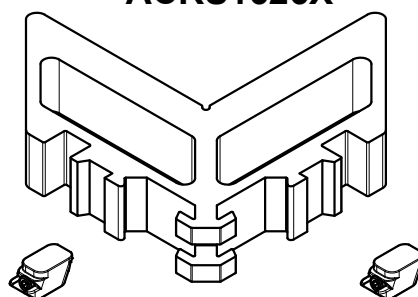
ACRS1624AX



ACUN159

ACUN159



ACRS1626X



ACUN161

ACUN161

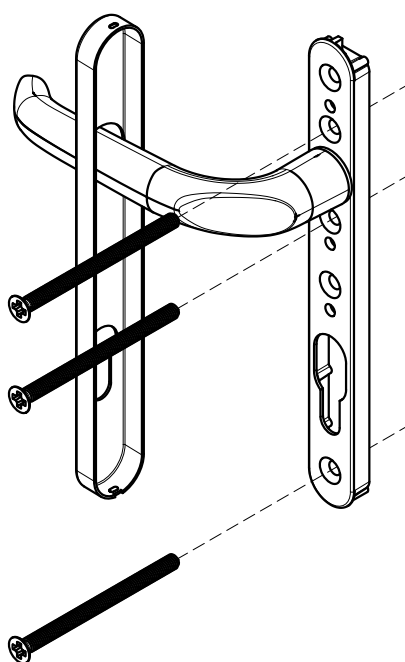
zie RS catalog / voir le RS catalogue / siehe RS Katalog / see RS catalog

NUMMER NUMERO NUMMER NUMBER		OMSCHRIJVING DESCRIPTION BESCHREIBUNG DESCRIPTION	PER PAR PRO PER
ACRS1624AX		HOEKVERBINDER EQUERRE ECKVERBINDER CORNER CLEAT	24
ACRS1626X		HOEKVERBINDER EQUERRE ECKVERBINDER CORNER CLEAT	24

New

SOBINCO

NEW ACCESSORIES



ACSZ783H

zie SZ catalog / voir le SZ catalogue / siehe SZ Katalog / see SZ catalog

NUMMER NUMERO NUMMER NUMBER	OMSCHRIJVING DESCRIPTION BESCHREIBUNG DESCRIPTION	PER PAR PRO PER
--------------------------------------	--	--------------------------

ACSZ783H



SECURITY DEURKRUK *BINNEN* (VERBORGEN SCHROEVEN)
POIGNÉE DE PORTE SECURITY *INTERIEUR* (VIS COULISSANTES)
SECURITY TÜRGRIFFE *INNEN* (VERBORGENE SCHRAUBEN)
SECURITY DOOR HANDLE *INTERIOR* (HIDDEN SCREWS)



1

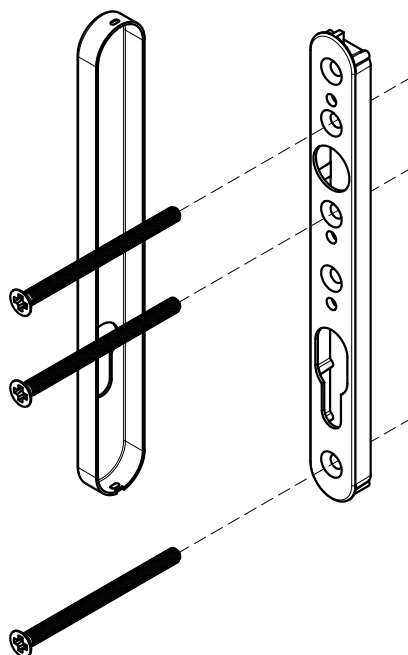
SZ_NEW_01

M6 HORIZON

New

SOBINCO

NEW ACCESSORIES



ACSZ784H

zie SZ catalog / voir le SZ catalogue / siehe SZ Katalog / see SZ catalog

NUMMER NUMERO NUMMER NUMBER	AFBEELDING IMAGE BILD PICTURE	OMSCHRIJVING DESCRIPTION BESCHREIBUNG DESCRIPTION	PER PAR PRO PER
--------------------------------------	--	--	--------------------------

ACSZ784H



SECURITY LANGSCHILD **BINNEN** (VERBORGEN SCHROEVEN)
PLAQUE LONGUE SECURITY **INTERIEURE** (VIS COULISSANTES)
SECURITY LANGSCHILDE **INNEN** (VERBORGENE SCHRAUBEN)
SECURITY LONG BACKPLATE **INTERIOR** (HIDDEN SCREWS)



1

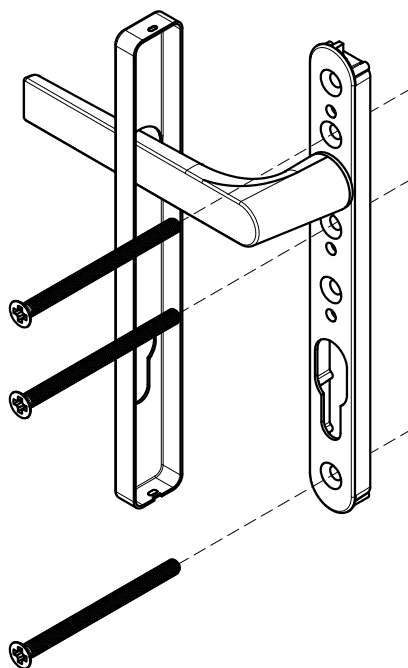
SZ_NEW_02

M6 HORIZON

New

SOBINCO

NEW ACCESSORIES



ACSZ1783H

zie SZ catalog / voir le SZ catalogue / siehe SZ Katalog / see SZ catalog

NUMMER
NUMERO
NUMMER
NUMBER

OMSCHRIJVING
DESCRIPTION
BESCHREIBUNG
DESCRIPTION

PER
PAR
PRO
PER

ACSZ1783H



SECURITY DEURKRUK *BINNEN* (VERBORGEN SCHROEVEN)
POIGNÉE DE PORTE SECURITY *INTERIEUR* (VIS COULISSANTES)
SECURITY TÜRGRIFFE *INNEN* (VERBORGENE SCHRAUBEN)
SECURITY DOOR HANDLE *INTERIOR* (HIDDEN SCREWS)



1

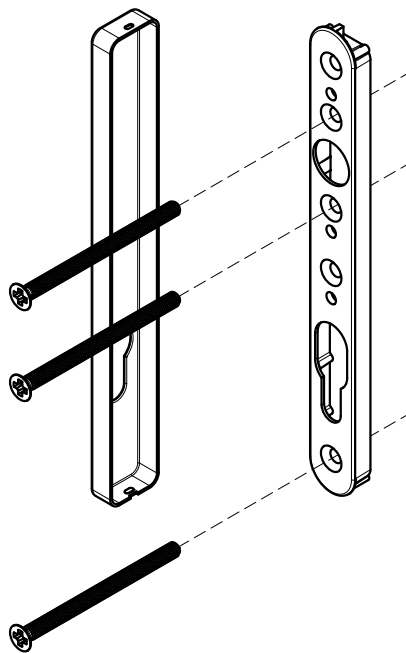
SZ_NEW_03

M6 EDGE

New

SOBINCO

NEW ACCESSORIES



ACSZ1784H

zie SZ catalog / voir le SZ catalogue / siehe SZ Katalog / see SZ catalog

NUMMER NUMERO NUMMER NUMBER	AFBEELDING IMAGE BILD PICTURE	OMSCHRIJVING DESCRIPTION BESCHREIBUNG DESCRIPTION	PER PAR PRO PER
--------------------------------------	--	--	--------------------------

ACSZ1784H



SECURITY LANGSCHILD **BINNEN** (VERBORGEN SCHROEVEN)
PLAQUE LONGUE SECURITY **INTERIEURE** (VISES COULISSANTES)
SECURITY LANGSCHILDE **INNEN** (VERBORGENE SCHRAUBEN)
SECURITY LONG BACKPLATE **INTERIOR** (HIDDEN SCREWS)



1

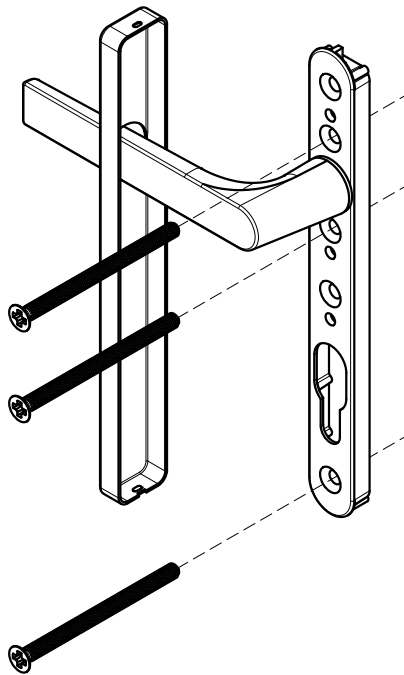
SZ_NEW_04

M6 EDGE

New

SOBINCO

NEW ACCESSORIES



ACSZ1785H

zie SZ catalog / voir le SZ catalogue / siehe SZ Katalog / see SZ catalog

NUMMER
NUMERO
NUMMER
NUMBER

OMSCHRIJVING
DESCRIPTION
BESCHREIBUNG
DESCRIPTION

PER
PAR
PRO
PER

ACSZ1785H



SECURITY DEURKRUK BINNEN **ZONDER** CILINDEROPENING (VERBORGEN SCHROEVEN)
POIGNÉE DE PORTE SECURITY **INTERIEUR** SANS CIL. (VISES COULISSANTES)
SECURITY TÜRGRIFFE **INNEN** OHNE ZYLINDERLOCH (VERBORGENE SCHRAUBEN)
SECURITY DOOR HANDLE **INTERIOR** WITHOUT CYLINDER (HIDDEN SCREWS)



1

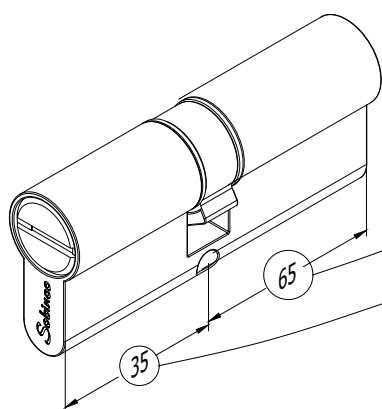
SZ_NEW_05

M6 EDGE

New

SOBINCO

NEW ACCESSORIES





CILINDER CILINDRE PROFILZYLINDER CYLINDER	SL	C	V(Z)	
ACMX4065	✓	✓	✓	✗

SL	GELIJKSLUITENDE CILINDER CYLINDRE A CLEF IDENTIQUE ZYLINDER GLEICHSCHLIEßEND CYLINDER KEYED ALIKE
C	VEILIGHEIDSCILINDER MET CERTIFICAAT CYLINDRE DE SECURITE AVEC CERTIFICAT SICHERHEITZYLINDER MIT ZETIFIKAT SAFETY CYLINDER WITH CERTIFICATE
V	VEILIGHEIDSCILINDER ZONDER CERTIFICAAT CYLINDRE DE SECURITE SANS CERTIFICAT SICHERHEITZYLINDER OHNE ZETIFIKAT SAFETY CYLINDER WITHOUT CERTIFICATE
Z	ZWARTE UITVOERING VAN DE CILINDER VERSION NOIRE DES CYLINDRES SCHWARZE AUSFÜHRUNG DER PROFILZYLINDER BLACK VERSION OF THE CYLINDERS



zie SZ catalog / voir le SZ catalogue / siehe SZ Katalog / see SZ catalog

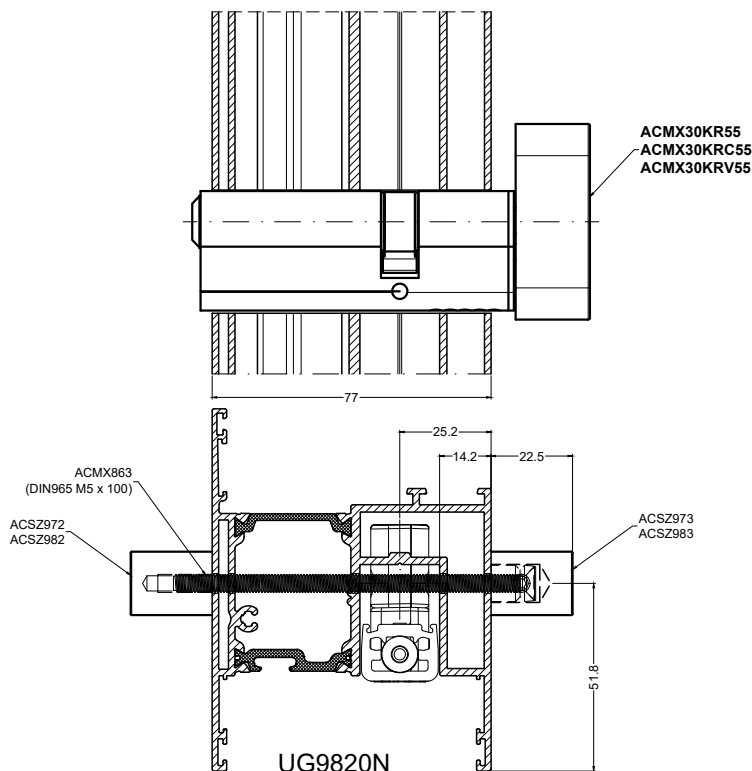
NUMMER NUMERO NUMMER NUMBER		OMSCHRIJVING DESCRIPTION BESCHREIBUNG DESCRIPTION	PER PAR PRO PER
ACMX4065		CILINDER 40 - 65 CYLINDRE 40 - 65 ZYLINDER 40 - 65 CYLINDER 40 - 65	1
ACMX4065SL		CYLINDER 40-65 GELIJKSLUITEND CYLINDRE 40-65 CLÉS IDENTIQUES ZYLINDER 40-65 GLEICHSCHLIESSEND CYLINDER 40-65 KEYED ALIKE	1
ACMX4065C		VEILIGHEIDSCILINDER 40 - 65 MET CERTIFICAAT CYLINDRE DE SECURITE 40 - 65 AVEC CERTIFICAT SICHERHEITZYLINDER 40 - 65 MIT ZETIFIKAT SAFETY CYLINDER 40 - 65 WITH CERTIFICATE	1
ACMX4065V		VEILIGHEIDSCILINDER 40 - 65 ZONDER CERTIFICAAT CYLINDRE DE SECURITE 40 - 65 SANS CERTIFICAT SICHERHEITZYLINDER 40 - 65 OHNE ZETIFIKAT SAFETY CYLINDER 40 - 65 WITHOUT CERTIFICATE	1

SZ_NEW_06

New

SOBINCO

NEW ACCESSORIES



zie SZ catalog / voir le SZ catalogue / siehe SZ Katalog / see SZ catalog

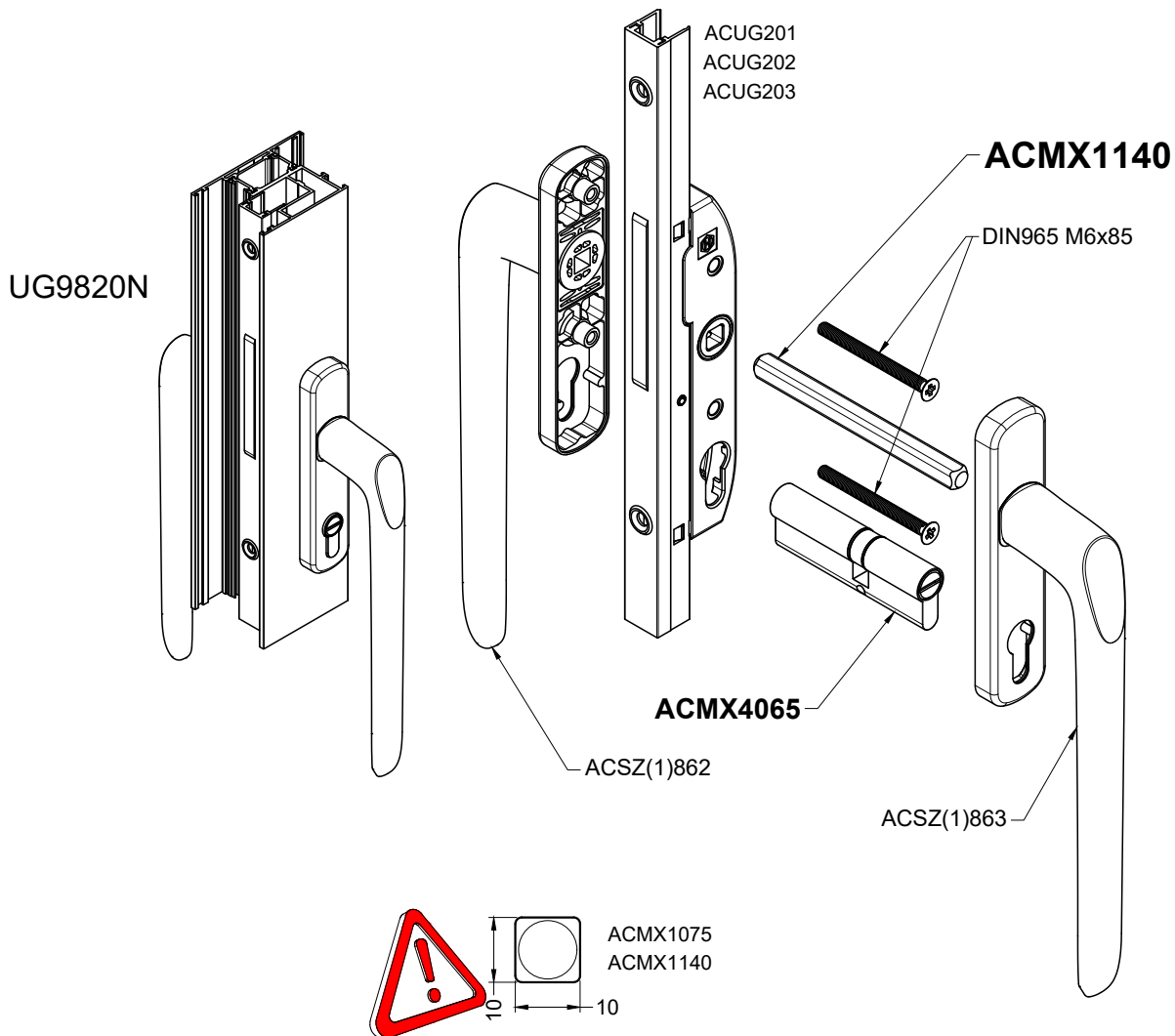
NUMMER NUMERO NUMMER NUMBER	OMSCHRIJVING DESCRIPTION BESCHREIBUNG DESCRIPTION	PER PAR PRO PER
ACMX30KR55	KNOPCILINDER 30 - 55 MET VASTE KLIKSTAND CYLINDRE A BOUTON 30 - 55 AVEC POSITION DE BLOCAGE KNOPFZYLINDER 30 - 55 MIT FESTER EINRASTPOSITION KNOB OPERATED CYLINDER 30 - 55 WITH FIXED POSITION	1
ACMX30KRC55	VEILIGHEIDSCILINDER 30 - 55 MET CERTIFICAAT CYLINDRE DE SECURITE 30 - 55 AVEC CERTIFICAT SICHERHEITZYLINDER 30-55 MIT ZETIFIKAT SAFETY CYLINDER 30 - 55 WITH CERTIFICATE	1
ACMX30KRV55	VEILIGHEIDSCILINDER 30 - 55 ZONDER CERTIFICAAT CYLINDRE DE SECURITE 30-55 SANS CERTIFICAT SICHERHEITZYLINDER 30 - 55 OHNE ZETIFIKAT SAFETY CYLINDER 30 - 55 WITHOUT CERTIFICATE	1
ACMX30KRV55Z	VEILIGHEIDSCILINDER 30 - 55 ZONDER CERTIFICAAT - ZWART CYLINDRE DE SECURITE 30-55 SANS CERTIFICAT - NOIR SICHERHEITZYLINDER 30 - 55 OHNE ZETIFIKAT - SCHWARZ SAFETY CYLINDER 30 - 55 WITHOUT CERTIFICATE - BLACK	1

SZ_NEW_07

New

SOBINCO

NEW ACCESSORIES



zie SZ catalog / voir le SZ catalogue / siehe SZ Katalog / see SZ catalog

NUMMER NUMERO NUMMER NUMBER	AFBEELDING IMAGE BILD PICTURE	OMSCHRIJVING DESCRIPTION BESCHREIBUNG DESCRIPTION	PER PAR PRO PER
--------------------------------------	--	--	--------------------------

ACMX1140



VIERKANTSTIFT L=140 MM MET AFGERONDE HOEKEN 10 X 10MM
ÉPINGLE CARRÉE L=140 MM AVEC COINS ARRONDIS 10 X 10MM
VIERKANTSTIFT L=140 MM MIT ABGERUNDETEN ECKEN 10 X 10MM
SQUARE SPINDLE L=140 MM WITH ROUNDED CORNERS 10 X 10MM

1

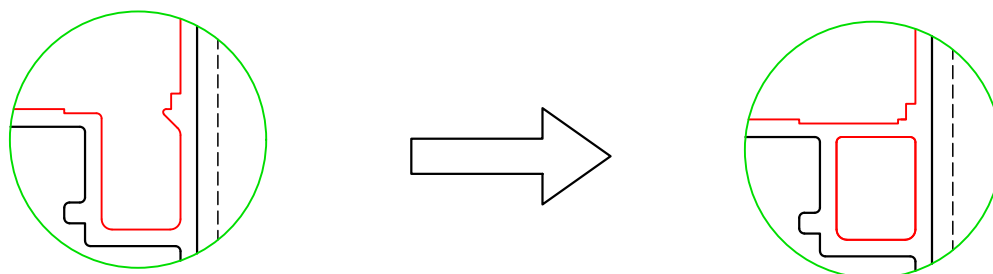
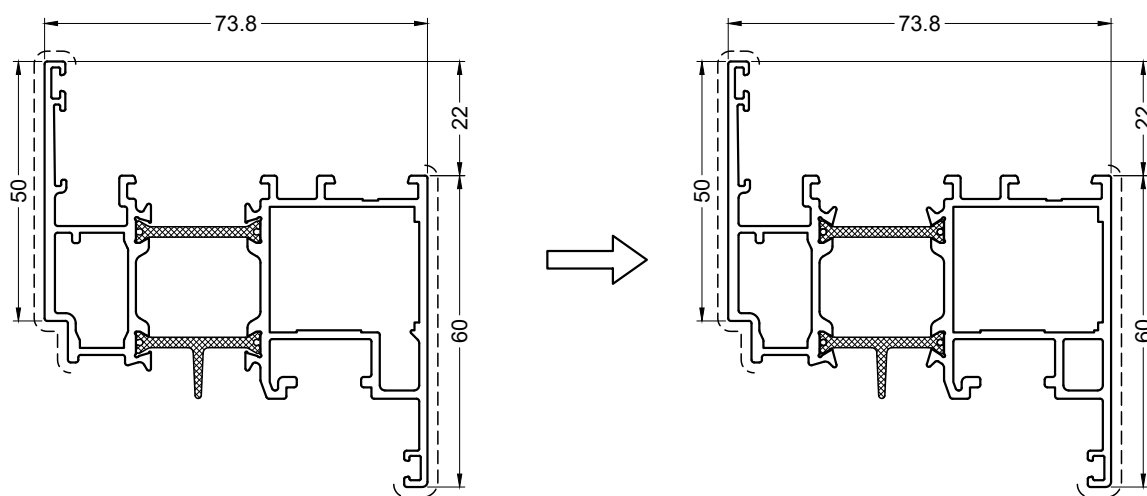
SZ_NEW_08

Improvement

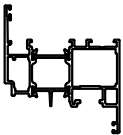
FUTURAL

MODIFICATION INNER HALF PART

FT726



zie FT catalog / voir le FT catalogue / siehe FT Katalog / see FT catalog

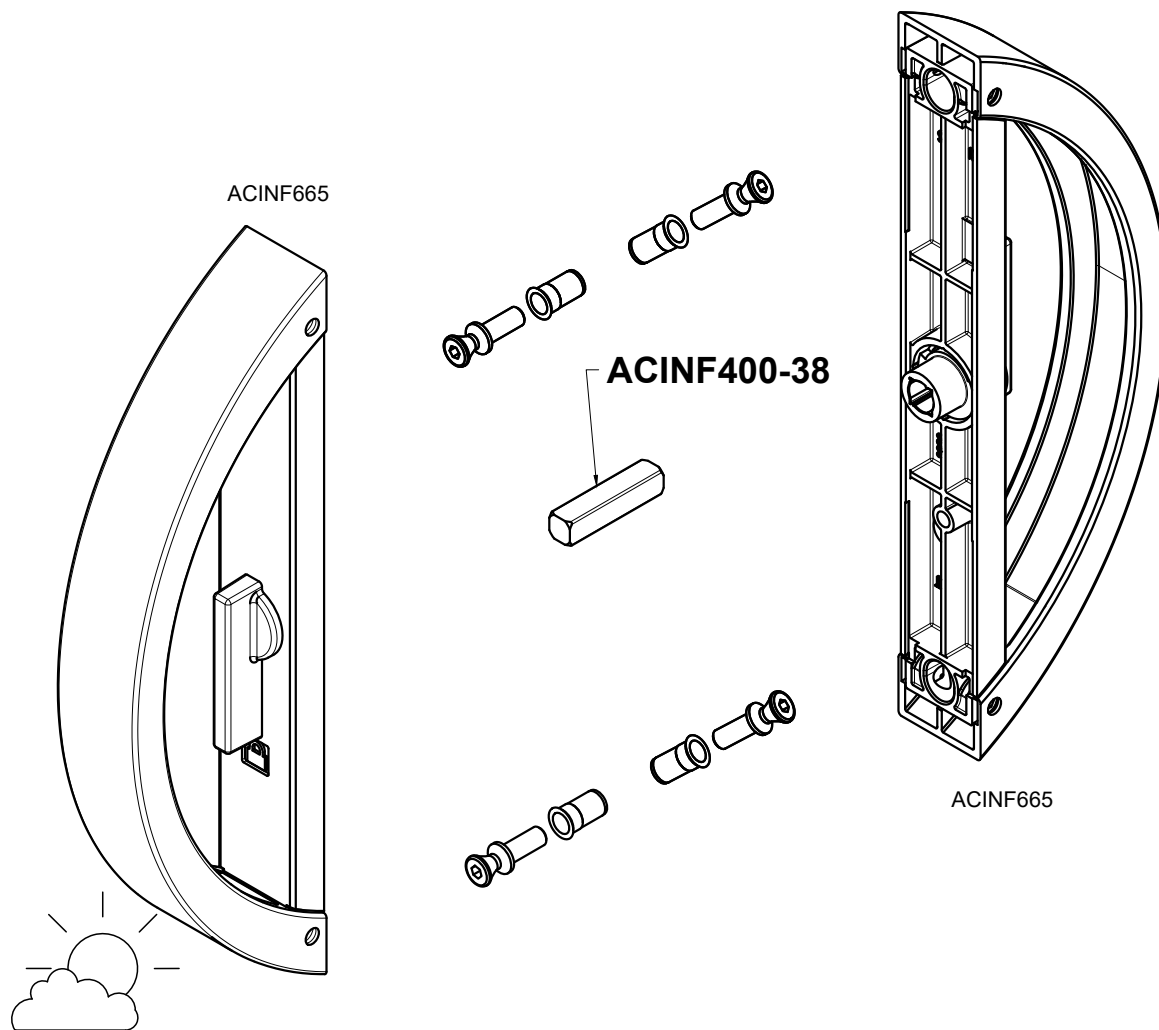
NUMMER NUMERO NUMBER NUMBER	AFBEELDING IMAGE BILD PICTURE	OMSCHRIJVING DESCRIPTION BESCHREIBUNG DESCRIPTION	PER PAR PRO PER
FT726		VLEUGEL OUVRANT FLUGELPROFIL WINDOW PROFILE PVC 82 MM	6.5

FT_WIJZ_01

New

INFINITY

NEW ACCESSORIES



zie INF catalog / voir le INF catalogue / siehe INF Katalog / see INF catalog

NUMMER NUMERO NUMMER NUMBER	AFBEELDING IMAGE BILD PICTURE	OMSCHRIJVING DESCRIPTION BESCHREIBUNG DESCRIPTION	PER PAR PRO PER
--------------------------------------	--	--	--------------------------

ACINF400-38



VIERKANTSTIFT - 38MM
CARRE - 38MM
VIERKANTSTIFT - 38MM
SPINDLE - 38MM

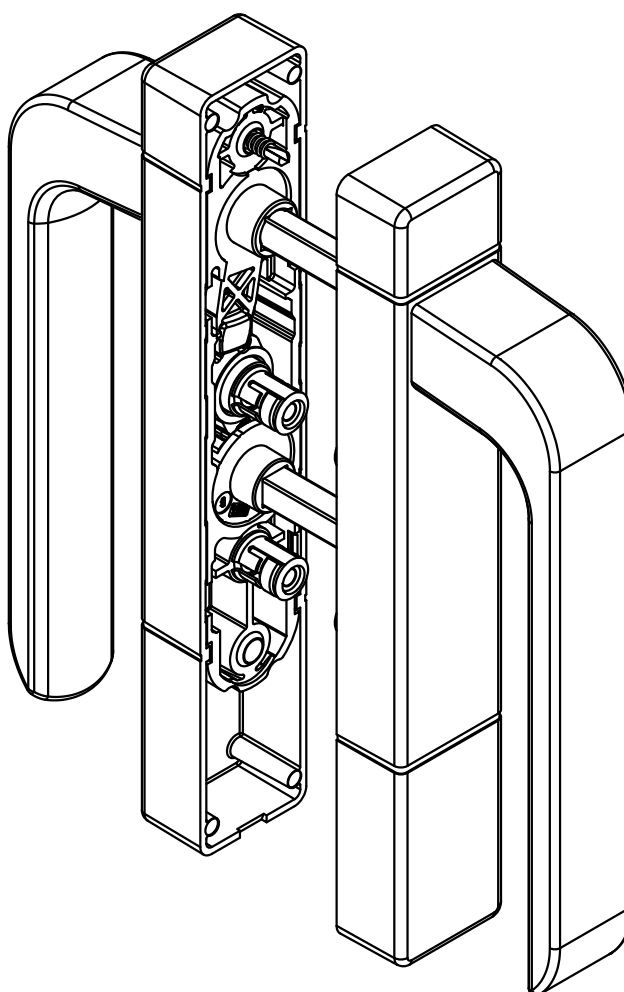
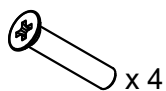
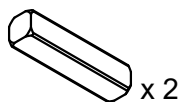
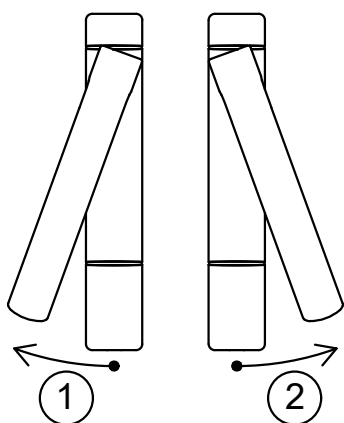
10

New

INFINITY

NEW ACCESSORIES

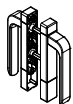
ACINF670



zie INF catalogoog / voir le INF catalogue / siehe INF Katalog / see INF catalog

NUMMER NUMERO NUMMER NUMBER	AFBEELDING IMAGE BILD PICTURE	OMSCHRIJVING DESCRIPTION BESCHREIBUNG DESCRIPTION	PER PAR PRO PER
--------------------------------------	--	--	--------------------------

ACINF670



HANDGREEP DUBBEL
POIGNEE DOUBLE
GRIFF DOUBLE
HANDLE DOUBLE
(NOVEM)

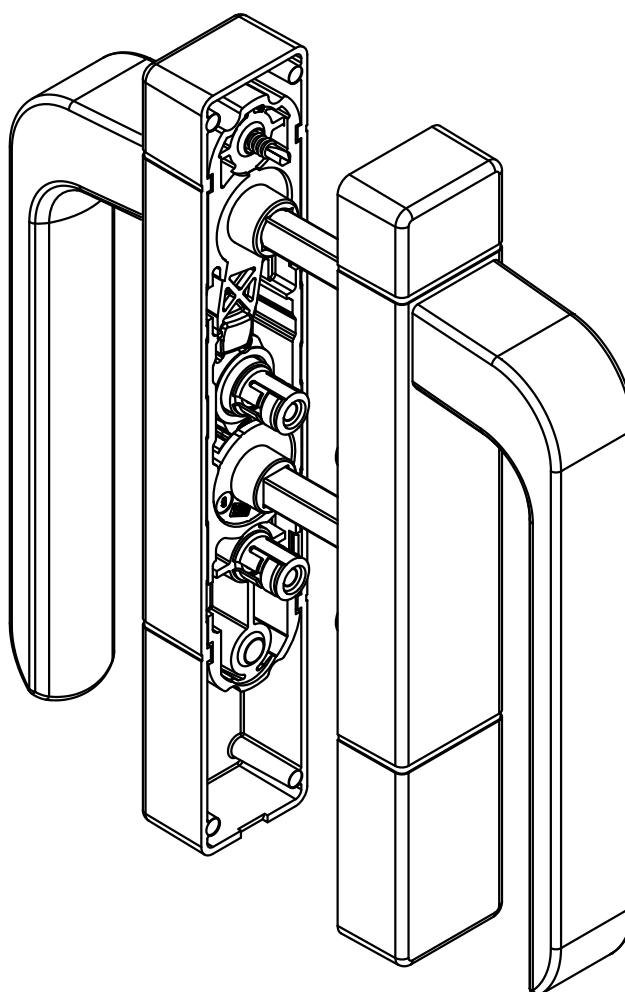
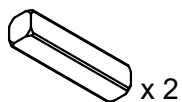
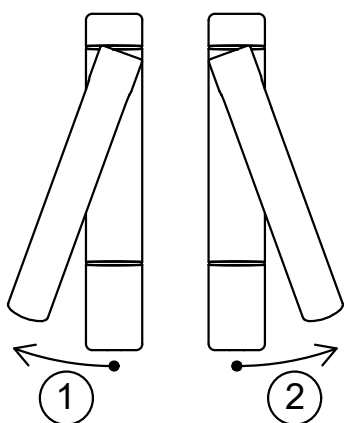
1

New

INFINITY

NEW ACCESSORIES

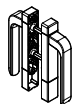
ACINF670



zie INF catalogoog / voir le INF catalogue / siehe INF Katalog / see INF catalog

NUMMER NUMERO NUMMER NUMBER	AFBEELDING IMAGE BILD PICTURE	OMSCHRIJVING DESCRIPTION BESCHREIBUNG DESCRIPTION	PER PAR PRO PER
--------------------------------------	--	--	--------------------------

ACINF670



HANDGREEP DUBBEL
POIGNEE DOUBLE
GRIFF DOUBLE
HANDLE DOUBLE
(NOVEM)

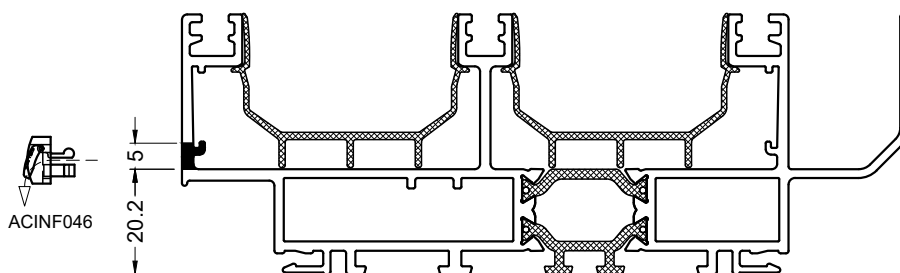
1

New

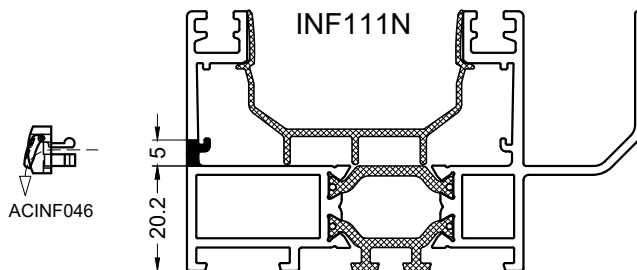
INFINITY

NEW ACCESSORIES

INF1512



INF111N

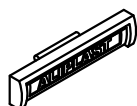


...

zie INF catalog / voir le INF catalogue / siehe INF Katalog / see INF catalog

NUMMER NUMERO NUMMER NUMBER	AFBEELDING IMAGE BILD PICTURE	OMSCHRIJVING DESCRIPTION BESCHREIBUNG DESCRIPTION	PER PAR PRO PER
--------------------------------------	--	--	--------------------------

ACINF046



AFDEKKAP WATERAFVOERSLEUVEN
CAPUCHON DRAINAGE D'EAU
ABDECKKAPPE ENTWAESSERUNG
WEEP HOLE COVER

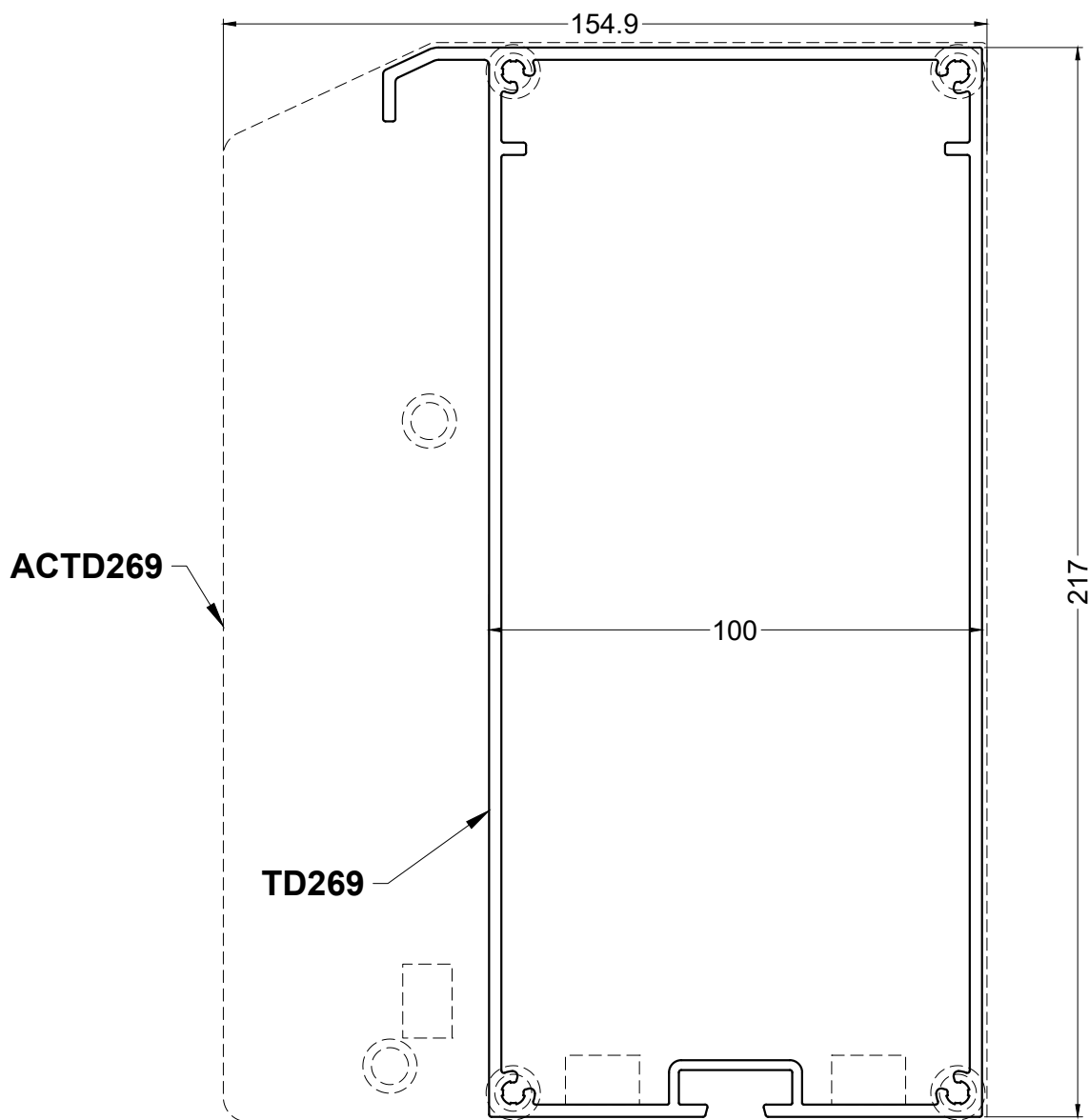
100

INF_NEW_04

New

TERRASSENDACH

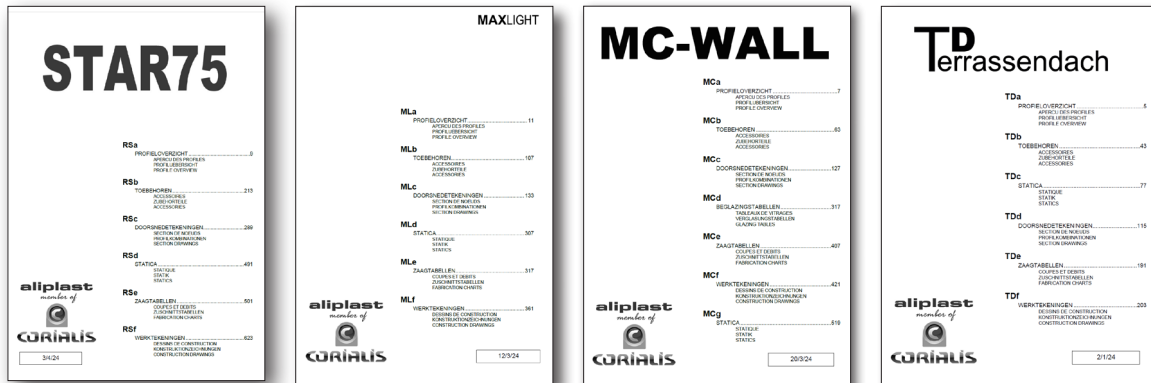
NEW PROFILE / NEW ACCESSORIES



zie TD catalog / voir le TD catalogue / siehe TD Katalog / see TD catalog

NUMMER NUMERO NUMMER NUMBER	AFBEELDING IMAGE BILD PICTURE	OMSCHRIJVING DESCRIPTION BESCHREIBUNG DESCRIPTION	PER PAR PRO PER
TD269		RINGBALK POUTRE D'ANNEAU UNTERZUG RINGBEAM H = 217 MM	7.0
ACTD269		EINDPLATEN VOOR TD269 (3MM) PLAQUES POUR TD269 (3MM) ENDSTUCKEN FUR TD269 (3MM)	1

Update catalogues



Following catalogues were updated in the past months:

catalogue	date
VR600 - ALIVER600	24/03/2025
VR700 - ALIVER700	24/03/2025
Greenslide	3/04/2025
Fuhr deurbeslag	18/04/2025
Ultraglide	29/04/2025
Futural	5/05/2025
Universal	5/05/2025
New Panorama	6/05/2025
Star90	16/05/2025
Econoline	19/05/2025
Visoline	19/05/2025
Infinity	20/02/2025
Star65	21/05/2025
Sobinco deurbeslag	21/05/2025
Terrassendach	21/05/2025
Star75	11/06/2025
Miniline	12/06/2025
Victorian Plus	13/06/2025

Contacts

Belgium & Luxembourg

Sales, Projects & Marketing



Jourik Duwez
Sales Manager BELUX
T. +32 496 99 20 65
jourik.duwez@aliplast.com



Jeroen Dierick
District Manager
Oost- & West-Vlaanderen
T. +32 473 70 87 10
jeroen.dierick@aliplast.com



Jurgen De Wulf
District Manager
Antwerpen/Limburg
T. +32 477 34 77 81
jurgen.de.wulf@aliplast.com



Mathews Vermeulen
District & Project
Manager Wallonië & LU
T. +32 497 05 21 38
mathews.vermeulen@aliplast.com



Els Uvyn
Project Manager
T. +32 491 90 32 80
els.uvyn@aliplast.com



Alexander Morel
Project Support Manager
T. +32 476 90 17 21
alexander.morel@aliplast.com



Thibaut Landuyt
Project Adviseur
T. +32 490 65 99 70
thibaut.landuyt@aliplast.com



Koen Maes
Project Adviseur
T. +32 475 90 05 00
koen.maes@aliplast.com



Christophe Causcheteux
Marketing Coördinator
T. +32 9 340 55 64
marketing@aliplast.com



Robin Moyson
Marketing Coördinator
T. +32 9 340 55 64
marketing@aliplast.com

Customer service & credit control



Sabine Rooman
Order Entry
T. +32 9 340 55 75
sabine.rooman@aliplast.com



Stefanie Zajac
Order Entry
T. +32 9 340 52 41
stefanie.zajac@aliplast.com



Anouchka Olbrechts
Customer Service
T. +32 9 340 55 88
customer.service@aliplast.com



Kirsten Jourden
Credit Controller
T. +32 9 340 55 81
credit.control@aliplast.com



Ellen Winters
Credit Controller
T. +32 9 340 55 60
credit.control@aliplast.com

Technical support / R&D / Quality



Steve Heindryckx
Technical Support
T. +32 9 340 55 47
steve.heindryckx@aliplast.com



Sebastien Caeldries
Technical Support
T. +32 9 393 00 23
sebastien.caeldries@aliplast.com



Sieto Kuiken
Support Logikal
T. +31 6 47 27 23 32
sieto.kuiken@aliplast.com



Ismail Sahin
Support Chacal
T. +32 9 340 55 67
ismail.sahin@aliplast.com



Geert Coelus
Technical Consultant
T. +32 9 340 52 42
geert.coelus@aliplast.com



Ruben Snurawa
Quality/ESG Manager
T. +32 9 340 55 30
sustainable@aliplast.com



Dries Wynendaele
R&D
T. +32 9 340 55 62
dries.wynendaele@aliplast.com

Hardware



Hardware Support
T. +32 9 340 55 87
hardware@aliplast.com

The Netherlands

Sales, Projects & Marketing



Marc Mulders
Sales Manager
NEDERLAND
T. +31 6 51 75 09 88
marc.mulders@aloplast.com



Tommy Verbrugge
District Manager
NEDERLAND
T. +31 6 53 86 88 75
tommy.verbrugge@aloplast.com



Gijs Adriaansen
Technical Consultant
NEDERLAND
T. +31 6 82 89 47 72
gijs.adriaansen@aloplast.com



Eric Vossen
District Manager
NEDERLAND
T. +31 6 12633707
eric.vossen@aloplast.com



Tony Suijkerbuijk
Projectadviseur
NEDERLAND
T. +31 6 10 14 48 09
tony.suijkerbuijk@aloplast.com



Joris De Zeeuw
Projectadviseur
NEDERLAND
T. +31 6 12 23 30 94
joris.de.zeeuw@aloplast.com



Christophe Causcheteux
Marketing Coördinator
T. +32 9 340 55 64
marketing@aloplast.com



Robin Moyson
Marketing Coördinator
T. +32 9 340 55 64
marketing@aloplast.com

Customer service & credit control



Sabine Rooman
Order Entry
T. +32 9 340 55 75
sabine.rooman@aloplast.com



Stefanie Zajac
Order Entry
T. +32 9 340 52 41
stefanie.zajac@aloplast.com



Evelien Rosseels
Customer Service
T. +32 9 340 55 56
customer.service@aloplast.com



Kirsten Jourden
Credit Controller
T. +32 9 340 55 81
credit.control@aloplast.com



Ellen Winters
Credit Controller
T. +32 9 340 55 60
credit.control@aloplast.com

Technical support / R&D / Quality



Steve Heindryckx
Technical Support
T. +32 9 340 55 47
steve.heindryckx@aloplast.com



Sebastien Caeldries
Technical Support
T. +32 9 393 00 23
sebastien.caeldries@aloplast.com



Sieto Kuiken
Support Logikal
T. +31 6 47 27 23 32
sieto.kuiken@aloplast.com



Ismail Sahin
Support Chacal
T. +32 9 340 55 67
ismail.sahin@aloplast.com



Geert Coelus
Technical Consultant
T. +32 9 340 52 42
geert.coelus@aloplast.com



Ruben Snurawa
Quality/ESG Manager
T. +32 9 340 55 30
sustainable@aloplast.com



Dries Wynendaele
R&D
T. +32 9 340 55 62
dries.wynendaele@aloplast.com

Hardware



Hardware Support
T. +32 9 340 55 87
hardware@aloplast.com

France

Sales, Projects & Marketing



Denis Thiry
Commercial Director France
T. +32 477 41 63 03
denis.thiry@aliplast.com



Bérenger Venant
District Manager
Nord de la France
T. +33 6 62 81 35 56
berenger.venant@aliplast.com



Stéphane Thirion
District Manager
Nord-Est de la France
T. +33 6 07 06 16 90
stephane.thirion@aliplast.com



Maxime Thareau
District Manager
Grand Ouest de la France
T. +33 7 88 14 52 28
maxime.thareau@aliplast.com



Vincent Moraguès
Sales support technique Manager France
T. +33 6 58 81 81 47
vincent.moragues@aliplast.com



Christophe Causcheteux
Marketing Coördinator
T. +32 9 340 55 64
marketing@aliplast.com



Robin Moyson
Marketing Coördinator
T. +32 9 340 55 64
marketing@aliplast.com

Customer service & credit control



Sabine Rooman
Order Entry
T. +32 9 340 55 75
sabine.rooman@aliplast.com



Stefanie Zajac
Order Entry
T. +32 9 340 52 41
stefanie.zajac@aliplast.com



Karen De Backer
Service clients
T. +32 9 340 52 54
customer.service@aliplast.com



Kirsten Jourden
Credit Controller
T. +32 9 340 55 81
credit.control@aliplast.com



Ellen Winters
Credit Controller
T. +32 9 340 55 60
credit.control@aliplast.com

Technical support / R&D / Quality



Steve Heindryckx
Technical Support
T. +32 9 340 55 47
steve.heindryckx@aliplast.com



Sebastien Caeldries
Technical Support
T. +32 9 393 00 23
sebastien.caeldries@aliplast.com



Ismail Sahin
Support Chacal
T. +32 9 340 55 67
ismail.sahin@aliplast.com



Geert Coelus
Technical Consultant
T. +32 9 340 52 42
geert.coelus@aliplast.com



Ruben Snurawa
Quality/ESG Manager
T. +32 9 340 55 30
sustainable@aliplast.com



Dries Wynendaele
R&D
T. +32 9 340 55 62
dries.wynendaele@aliplast.com

Hardware



Hardware Support
T. +32 9 340 55 87
hardware@aliplast.com

Germany

Sales, Projects & Marketing



Jan Meyer
Sales Director
DACH
T. +49 160 157 98 79
jan.meyer@aliplast.com



Benjamin Linder
District Manager
Germany
T. +49 160 903 979 50
benjamin.linder@aliplast.com



André Schulze-Westreicher
District Manager
Germany
T. +49 051 462 255 87
andre.schulze-westreicher@aliplast.com



Christophe Causcheteux
Marketing Coördinator
T. +32 9 340 55 64
marketing@aliplast.com



Robin Moyson
Marketing Coördinator
T. +32 9 340 55 64
marketing@aliplast.com

Customer service & credit control



Sabine Rooman
Order Entry
T. +32 9 340 55 75
sabine.rooman@aliplast.com



Stefanie Zajac
Order Entry
T. +32 9 340 52 41
stefanie.zajac@aliplast.com



Sévérine Denolf
Customer Service
T. +32 9 340 55 48
customer.service@aliplast.com



Kirsten Jourden
Credit Controller
T. +32 9 340 55 81
credit.control@aliplast.com



Ellen Winters
Credit Controller
T. +32 9 340 55 60
credit.control@aliplast.com

Technical support / R&D / Quality



Steve Heindryckx
Technical Support
T. +32 9 340 55 47
steve.heindryckx@aliplast.com



Sebastien Caeldries
Technical Support
T. +32 9 393 00 23
sebastien.caeldries@aliplast.com



Sieto Kuiken
Support Logikal
T. +31 6 47 27 23 32
sieto.kuiken@aliplast.com



Ismail Sahin
Support Chacal
T. +32 9 340 55 67
ismail.sahin@aliplast.com



Geert Coelus
Technical Consultant
T. +32 9 340 52 42
geert.coelus@aliplast.com



Ruben Snurawa
Quality/ESG Manager
T. +32 9 340 55 30
sustainable@aliplast.com



Dries Wynendaele
R&D
T. +32 9 340 55 62
dries.wynendaele@aliplast.com

Hardware



Hardware Support
T. +32 9 340 55 87
hardware@aliplast.com

Switzerland

Sales, Projects & Marketing



Jan Meyer
Sales Director
DACH
T. +49 160 157 98 79
jan.meyer@aliplast.com



Christophe Causcheteux
Marketing Coördinator
T. +32 9 340 55 64
christophe.causcheteux@aliplast.com



Robin Moyson
Marketing Coördinator
T. +32 9 340 55 64
marketing@aliplast.com

Customer service & credit control



Sabine Rooman
Order Entry
T. +32 9 340 55 75
sabine.rooman@aliplast.com



Stefanie Zajac
Order Entry
T. +32 9 340 52 41
stefanie.zajac@aliplast.com



Sévérine Denolf
Customer Service
T. +32 9 340 55 48
customer.service@aliplast.com



Kirsten Jourdren
Credit Controller
T. +32 9 340 55 81
credit.control@aliplast.com



Ellen Winters
Credit Controller
T. +32 9 340 55 60
credit.control@aliplast.com

Technical support / R&D / Quality



Steve Heindryckx
Technical Support
T. +32 9 340 55 47
steve.heindryckx@aliplast.com



Sebastien Caeldries
Technical Support
T. +32 9 393 00 23
sebastien.caeldries@aliplast.com



Sieto Kuiken
Support Logikal
T. +31 6 47 27 23 32
sieto.kuiken@aliplast.com



Ismail Sahin
Support Chacal
T. +32 9 340 55 67
ismail.sahin@aliplast.com



Geert Coelus
Technical Consultant
T. +32 9 340 52 42
geert.coelus@aliplast.com



Ruben Snurawa
Quality/ESG Manager
T.+32 9 340 55 30
sustainable@aliplast.com



Dries Wynendaele
R&D
T. +32 9 340 55 62
dries.wynendaele@aliplast.com

Hardware



Hardware Support
T. +32 9 340 55 87
hardware@aliplast.com

Scandinavia

Sales, Projects & Marketing



Dennis Helgesson
Sales Manager
Denmark - Iceland
T. +46 760 90 40 41
dennis.helgesson@corialis-group.se



Tommy Danielsson
District Manager
Sweden - Norway
T. +46 762 80 88 97
tommy.danielsson@corialis-group.se



Christophe Causcheteux
Marketing Coördinator
T. +32 9 340 55 64
marketing@aliplast.com



Robin Moyson
Marketing Coördinator
T. +32 9 340 55 64
marketing@aliplast.com

Customer service & credit control



Sabine Rooman
Order Entry
T. +32 9 340 55 75
sabine.rooman@aliplast.com



Stefanie Zajac
Order Entry
T. +32 9 340 52 41
stefanie.zajac@aliplast.com



Sévérine Denolf
Customer Service
T. +32 9 340 55 48
customer.service@aliplast.com



Kirsten Jourden
Credit Controller
T. +32 9 340 55 81
credit.control@aliplast.com



Ellen Winters
Credit Controller
T. +32 9 340 55 60
credit.control@aliplast.com

Technical support / R&D / Quality



Steve Heindryckx
Technical Support
T. +32 9 340 55 47
steve.heindryckx@aliplast.com



Sebastien Caeldries
Technical Support
T. +32 9 393 00 23
sebastien.caeldries@aliplast.com



Sebastian Kekkonen
Technical Support Scandinavia
T. +46 70 40 47 102
sebastian.kekkonen@corialis-group.se



Ismail Sahin
Support Chacal
T. +32 9 340 55 67
ismail.sahin@aliplast.com



Geert Coelus
Technical Consultant
T. +32 9 340 52 42
geert.coelus@aliplast.com



Sieto Kuiken
Support Logikal
T. +31 6 47 27 23 32
sieto.kuiken@aliplast.com



Ruben Snurawa
Quality/ESG Manager
T. +32 9 340 55 30
sustainable@aliplast.com



Dries Wynendaele
R&D
T. +32 9 340 55 62
dries.wynendaele@aliplast.com

Hardware



Hardware Support
T. +32 9 340 55 87
hardware@aliplast.com

Others

Marketing



Christophe Causcheteux
Marketing Coördinator
T. +32 9 340 55 64
marketing@aliplast.com



Robin Moyson
Marketing Coördinator
T. +32 9 340 55 64
marketing@aliplast.com

Customer service & credit control



Sabine Rooman
Order Entry
T. +32 9 340 55 75
sabine.rooman@aliplast.com



Stefanie Zajac
Order Entry
T. +32 9 340 52 41
stefanie.zajac@aliplast.com



Evelien Rosseels
Customer Service
T. +32 9 340 55 56
customer.service@aliplast.com



Kirsten Jourden
Credit Controller
T. +32 9 340 55 81
credit.control@aliplast.com



Ellen Winters
Credit Controller
T. +32 9 340 55 60
credit.control@aliplast.com



Sévérine Denolf
Customer Service
T. +32 9 340 55 48
customer.service@aliplast.com

Technical support / R&D / Quality



Steve Heindryckx
Technical Support
T. +32 9 340 55 47
steve.heindryckx@aliplast.com



Sebastien Caeldries
Technical Support
T. +32 9 393 00 23
sebastien.caeldries@aliplast.com



Sieto Kuiken
Support Logikal
T. +31 6 47 27 23 32
sieto.kuiken@aliplast.com



Ismail Sahin
Support Chacal
T. +32 9 340 55 67
ismail.sahin@aliplast.com



Geert Coelus
Technical Consultant
T. +32 9 340 52 42
geert.coelus@aliplast.com



Ruben Snurawa
Quality/ESG Manager
T.+32 9 340 55 30
sustainable@aliplast.com



Dries Wynendaele
R&D
T. +32 9 340 55 62
dries.wynendaele@aliplast.com

Hardware



Hardware
T. +32 9 340 55 87
hardware@aliplast.com