

DECOWALL

architect section drawings

De referentie van de CAD files is terug te vinden links onderaan de tekeningen in deze architectencatalogus.

Les références des fichiers CAD peuvent être trouvées à gauche en bas dans de ce catalogue architectes.

Die Referenzen auf CAD-dateien finden Sie links unten in diesem Architekten Katalog.

The reference of the Cad files can be found at the bottom left in this architect catalog.



13/2/21

DECOWALL

architect section drawings

DATUM	OMSCHRIJVING
DATE	DESCRIPTION
DATUM	BESCHREIBUNG
DATE	DESCRIPTION

2021	EERSTE DRUK
	PREMIERE EDITION
	ERSTAUSGABE
	FIRST EDITION

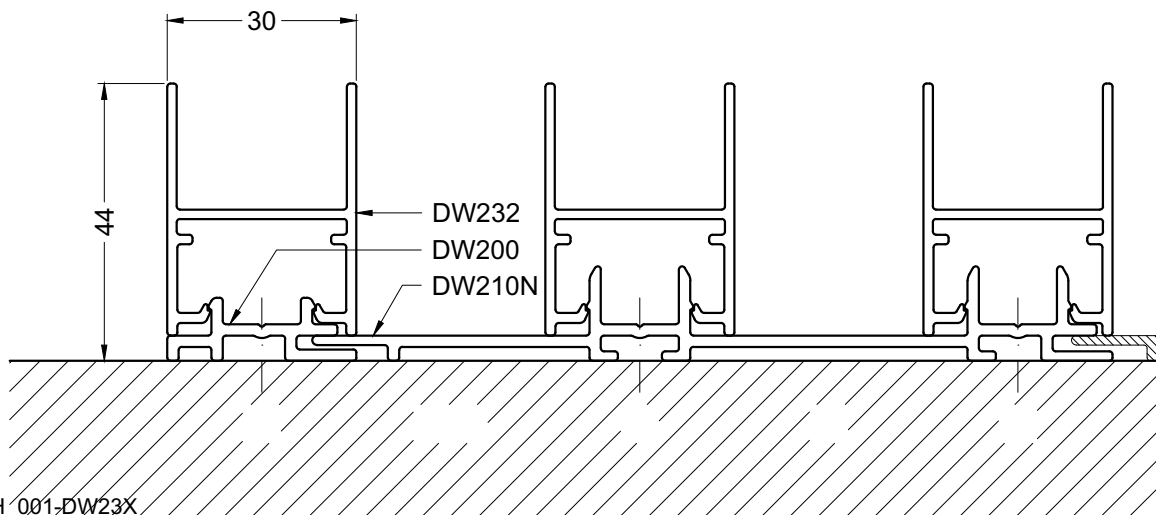
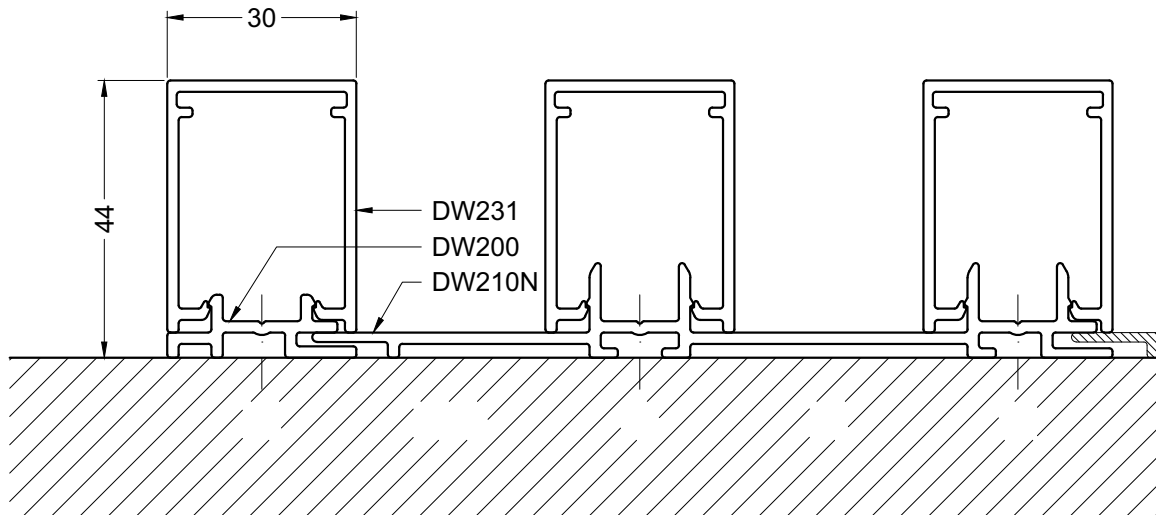
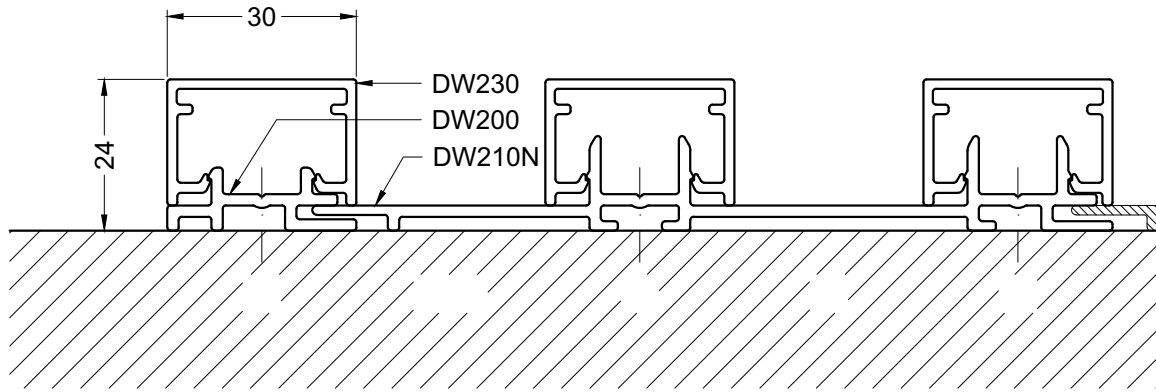
WIJZIGINGEN - MODIFICATIONS - ÄNDERUNGEN - CHANGES

DECOWALL

architect section drawings

DECOWALL

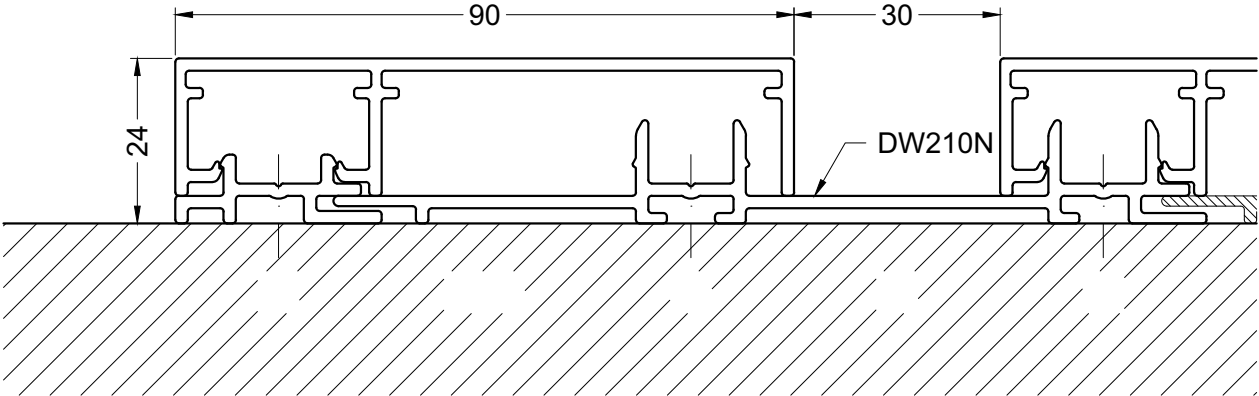
architect section drawings



ARCH_001-DW23X

DECOWALL

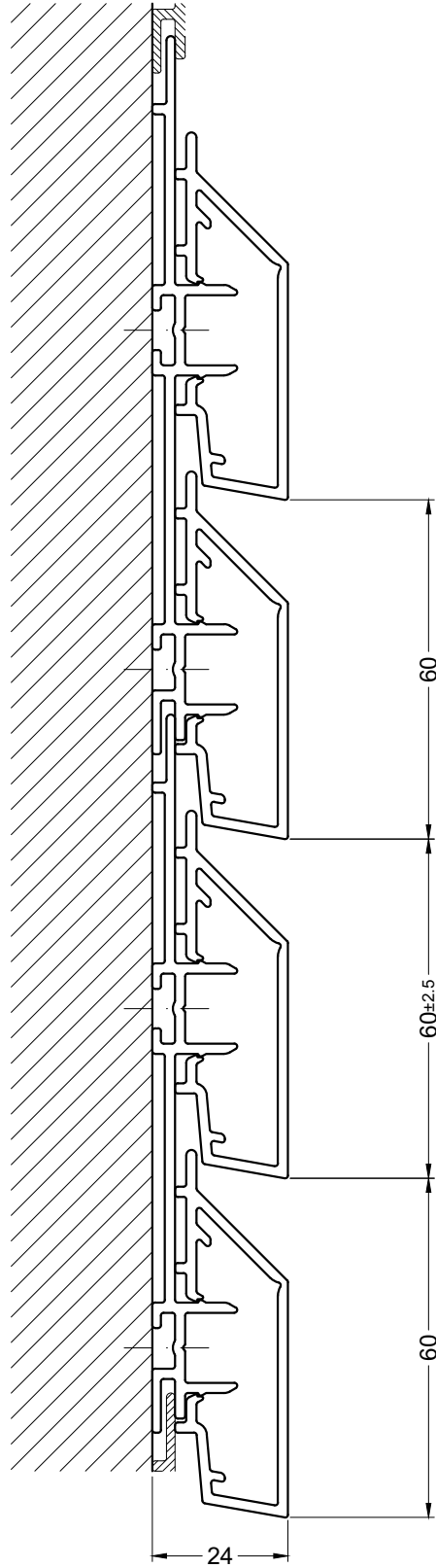
architect section drawings



ARCH_001-DW24X

DECOWALL

architect section drawings



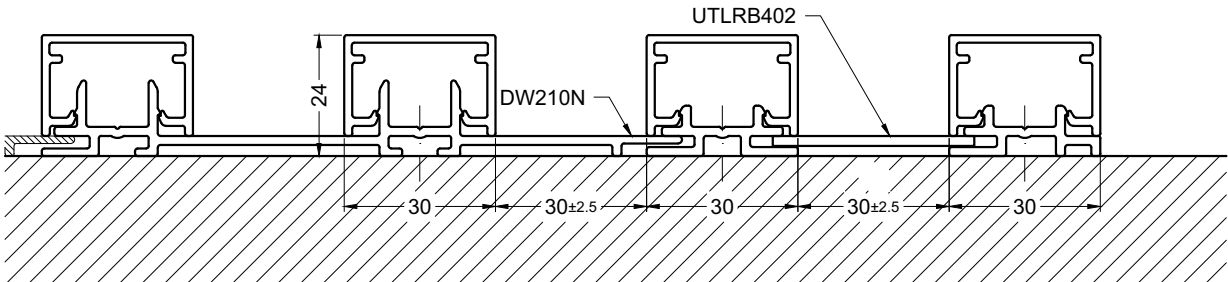
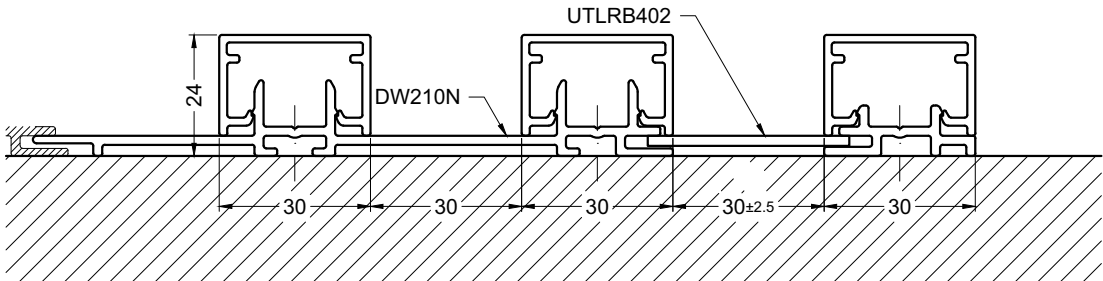
ARCH_002-DW233



DOORSNEDETEKENINGEN - SECTION DE NOEUJDS - PROFILKOMBINATIONEN - SECTION DRAWINGS

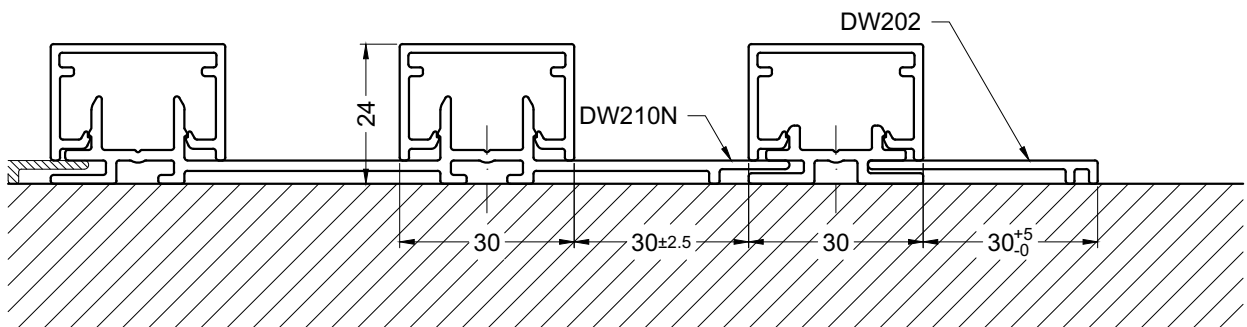
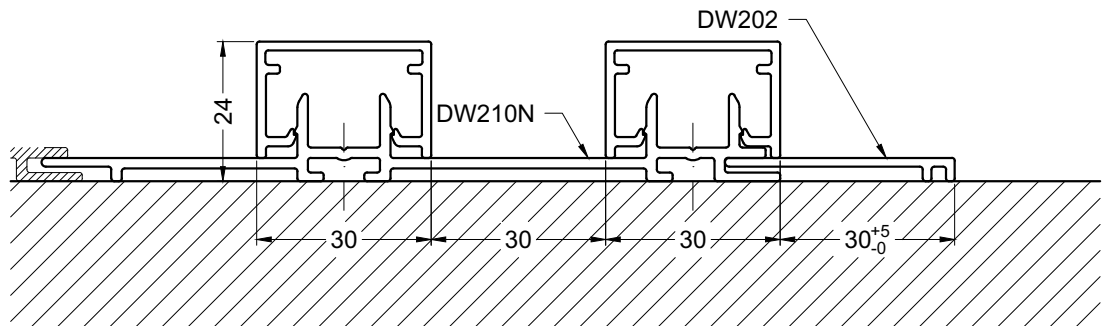
DECOWALL

architect section drawings



DECOWALL

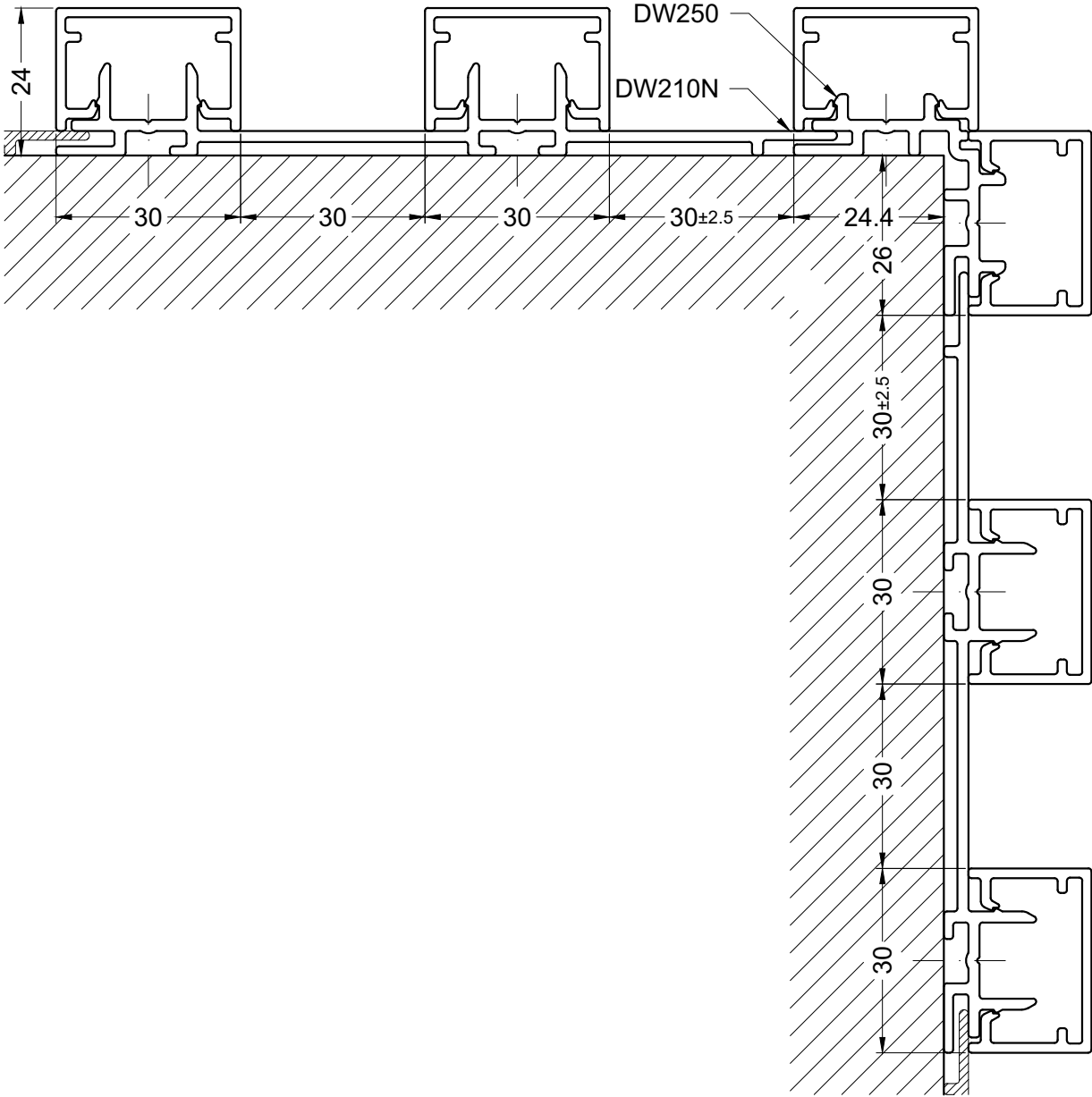
architect section drawings



ARCH_003-DW202

DECOWALL

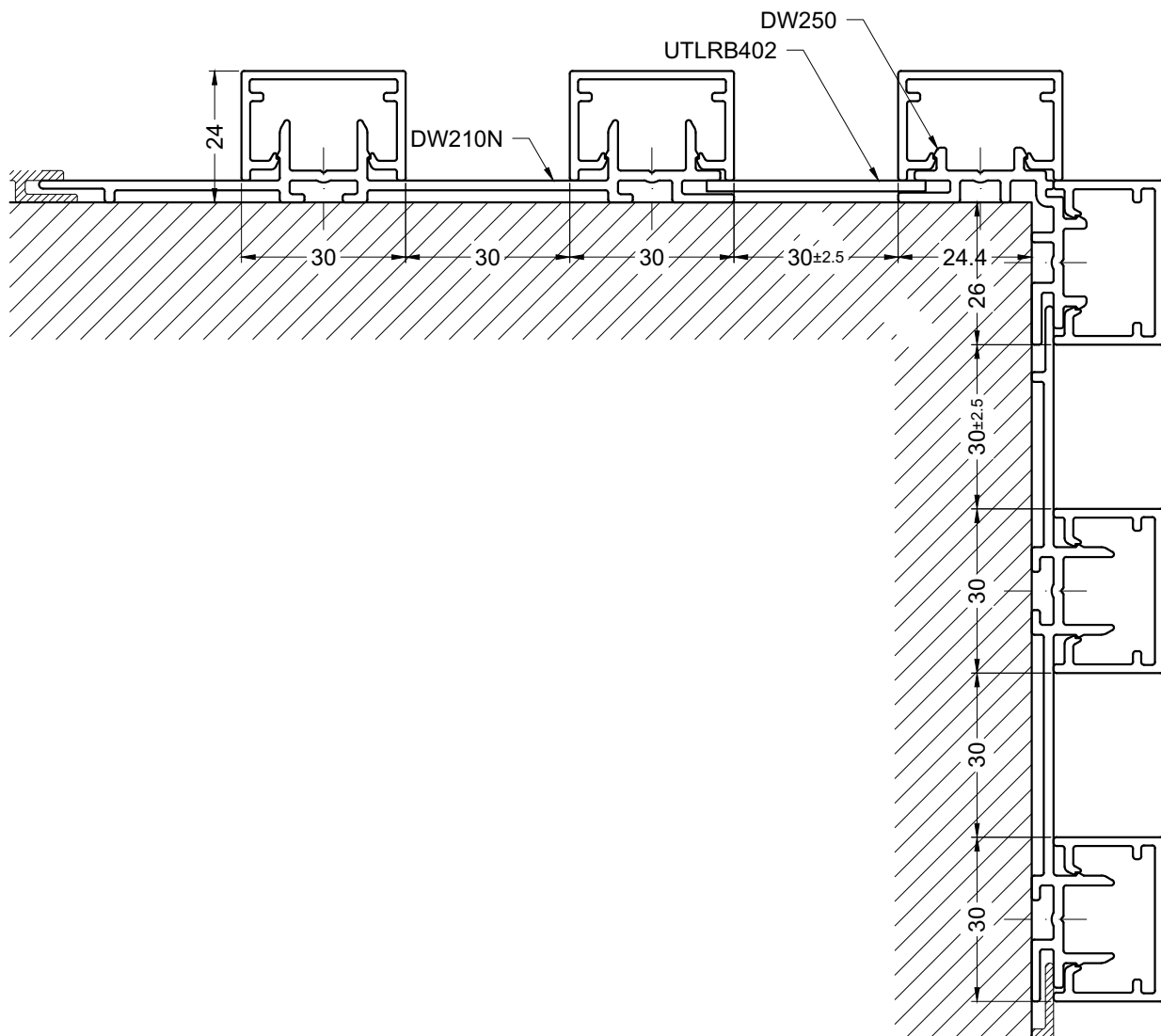
architect section drawings



ARCH_004-90GR-001

DECOWALL

architect section drawings

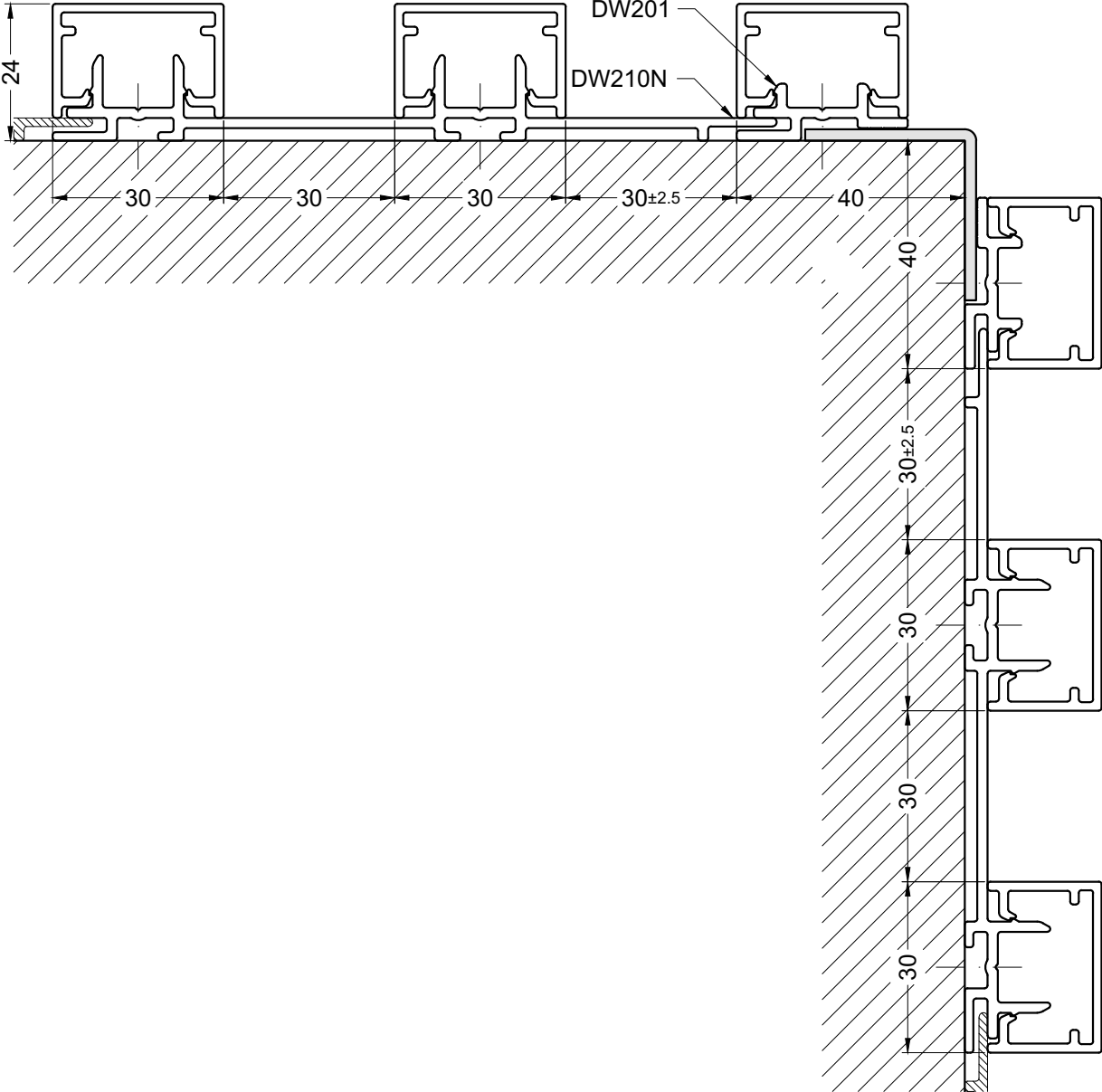


DOORSNEDETEKENINGEN - SECTION DE NOEUDES - PROFILKOMBINATIESEN - SECTION DRAWINGS

ARCH_004-90GR-002

DECOWALL

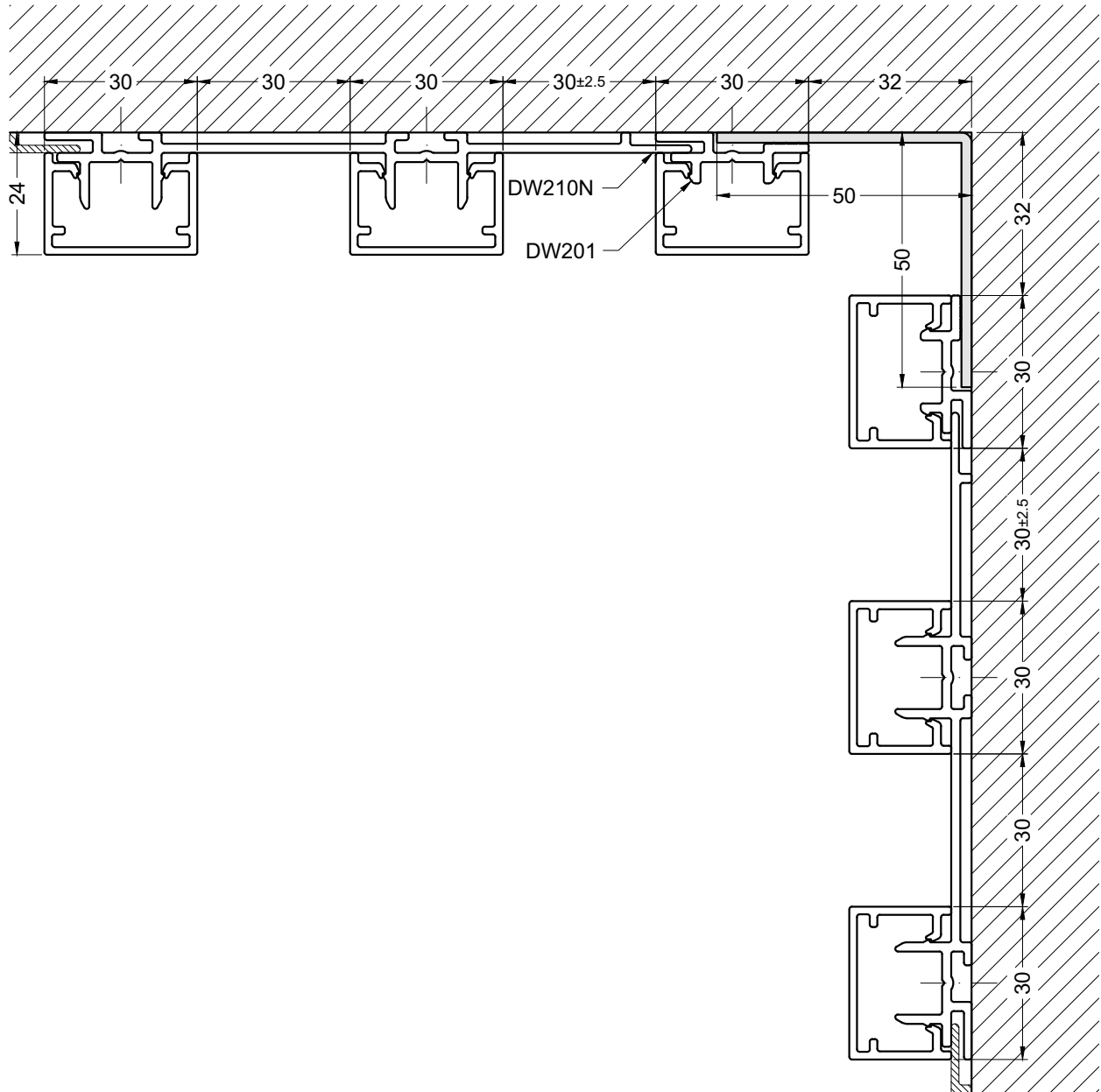
architect section drawings



ARCH_004-90GR-003

DECOWALL

architect section drawings



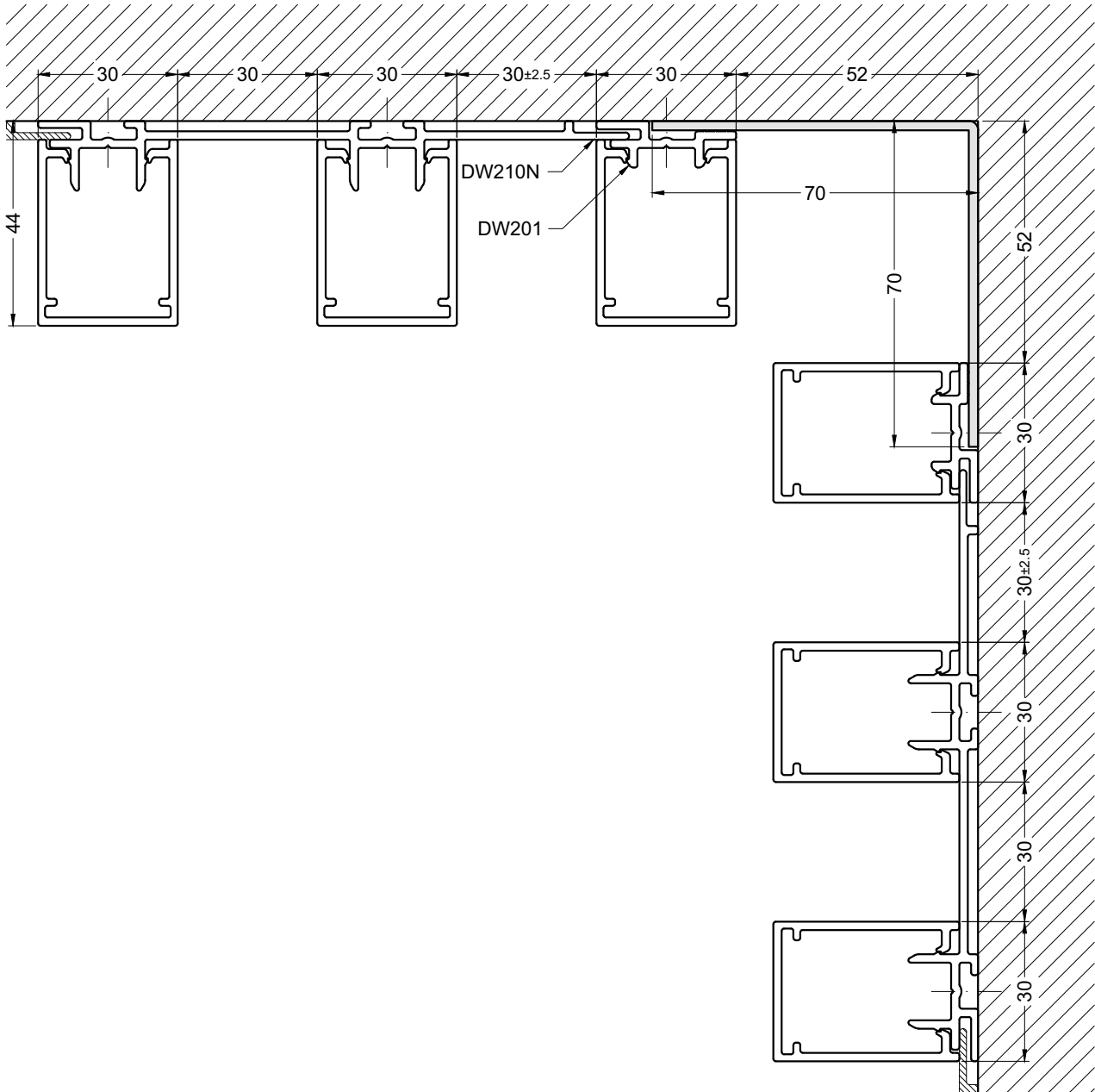
ARCH_005-90GR-001



DOORSNEDETEKENINGEN - SECTION DE NOEUDES - PROFILKOMBINATIONEN - SECTION DRAWINGS

DECOWALL

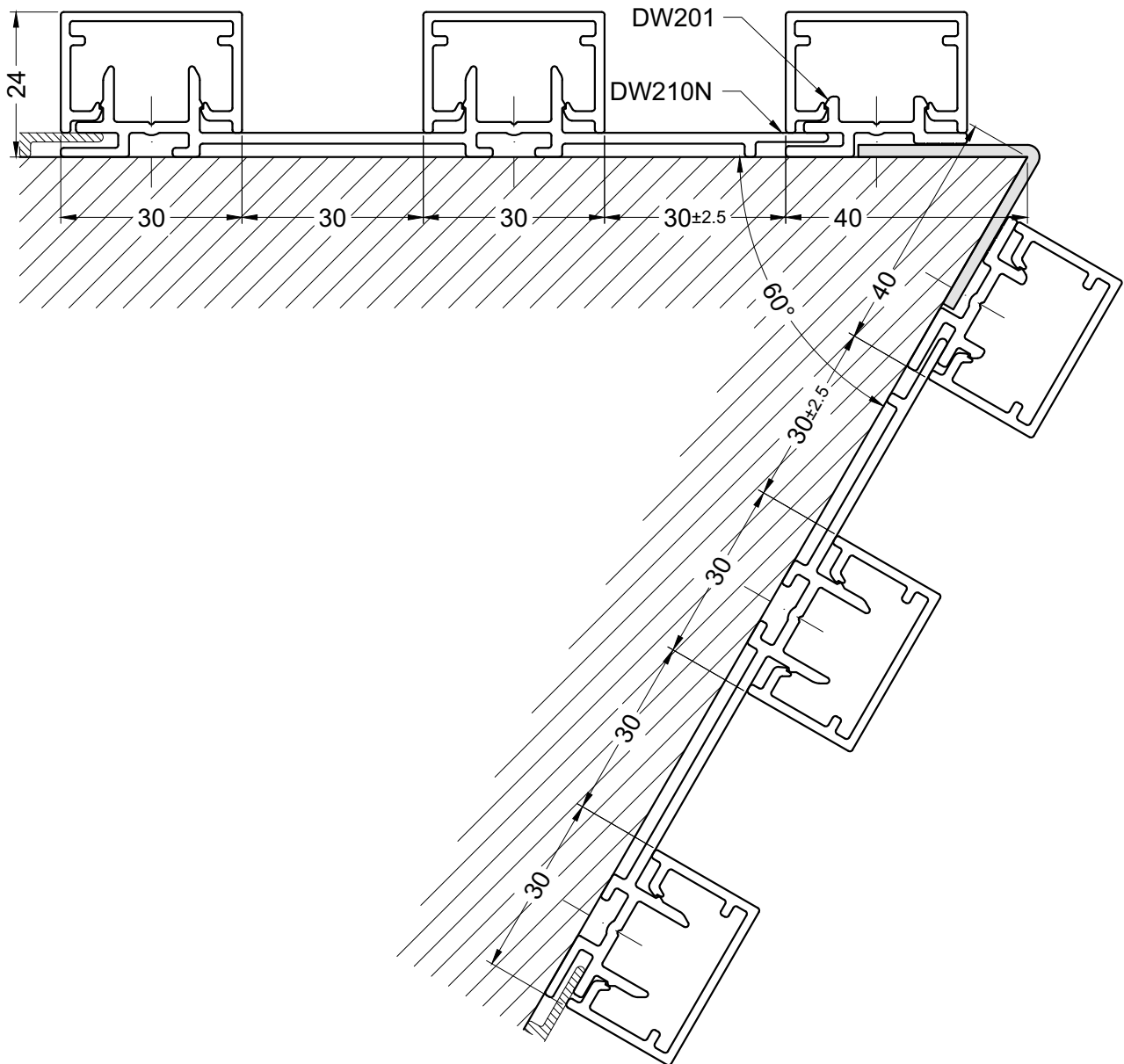
architect section drawings



ARCH_005-90GR-002

DECOWALL

architect section drawings



ARCH_006-VAR-001

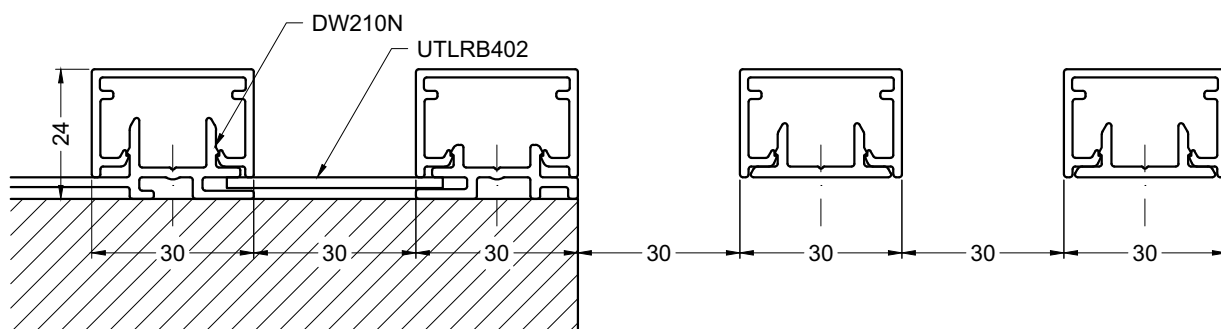
aliplast
member of



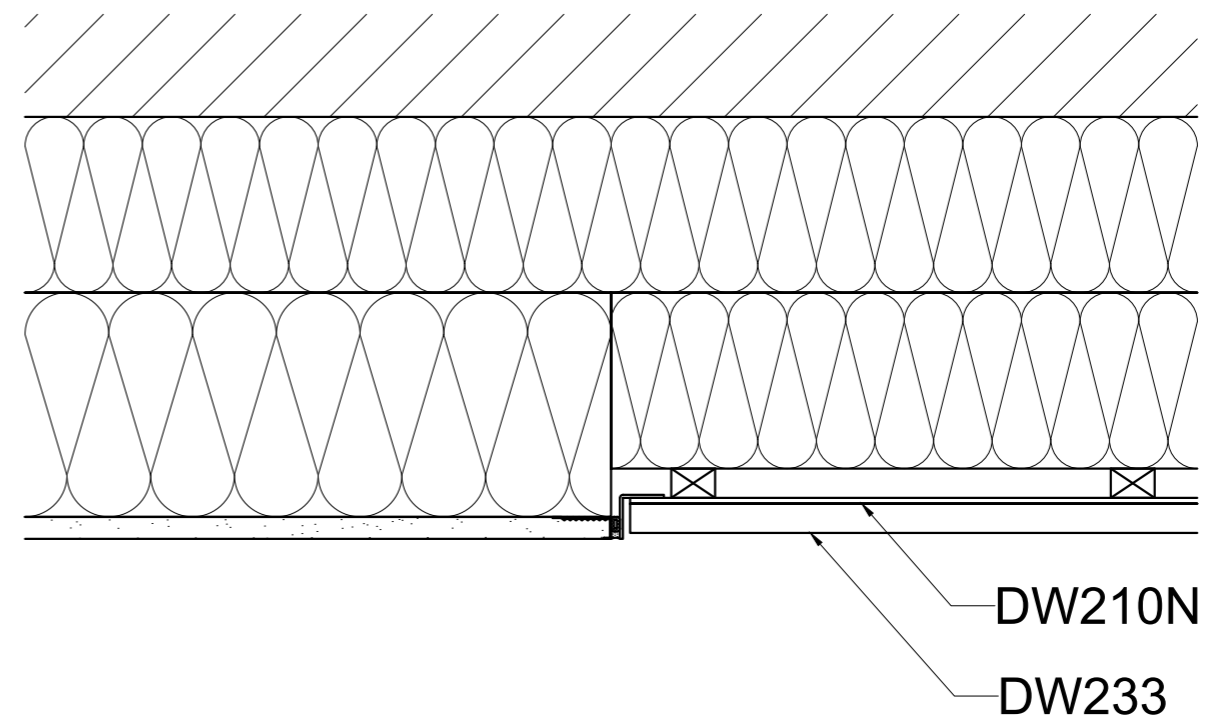
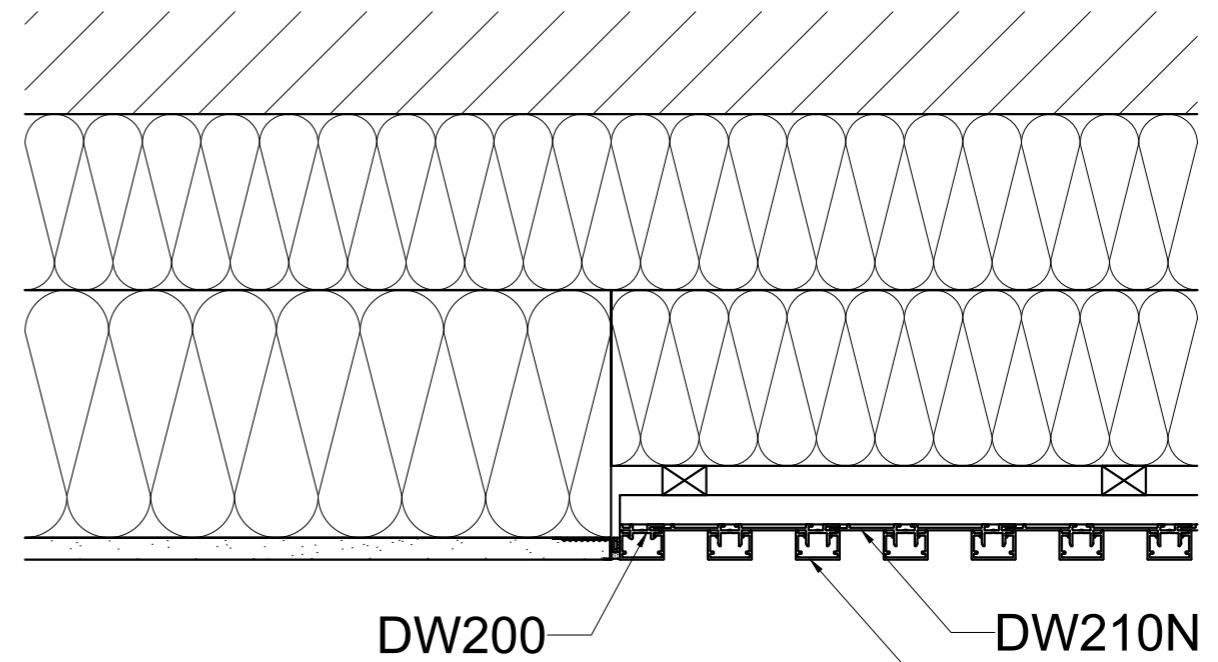
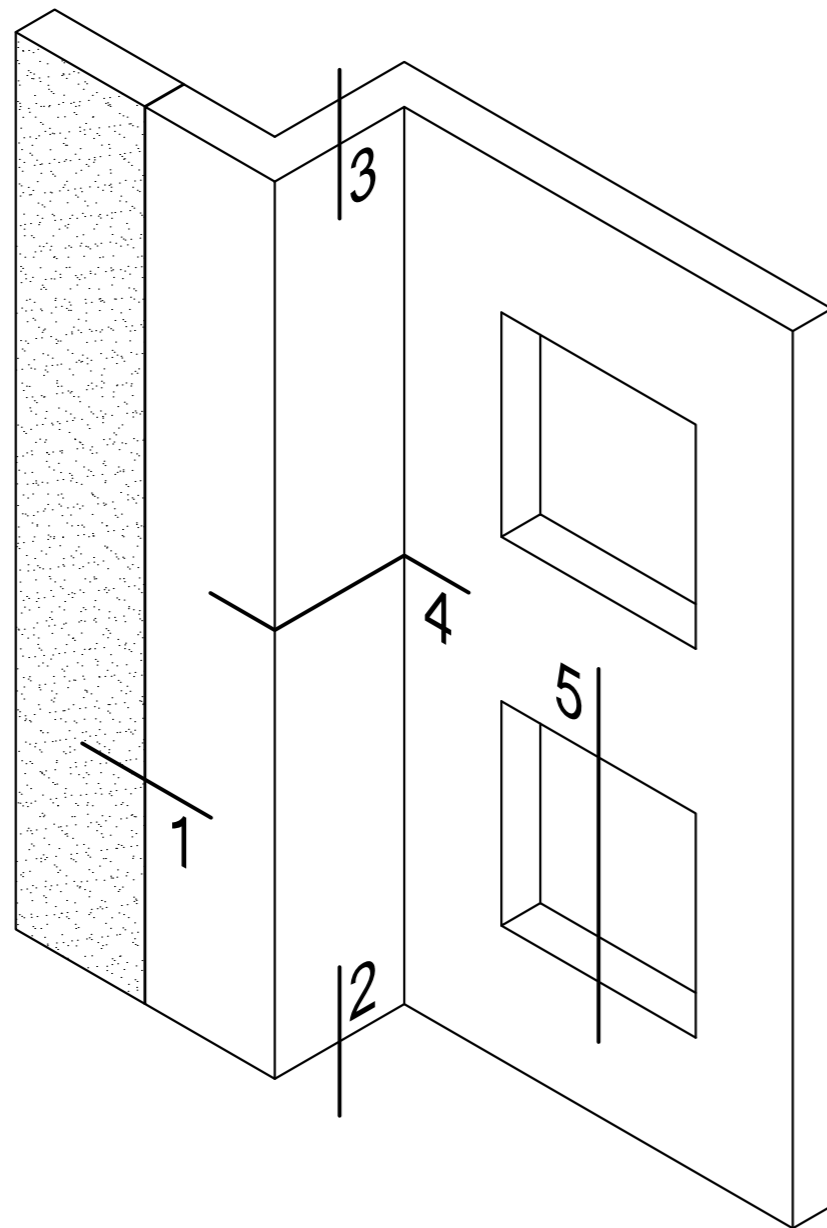
DOORSNEDETEKENINGEN - SECTION DE NOEUJDS - PROFILKOMBINATIONEN - SECTION DRAWINGS

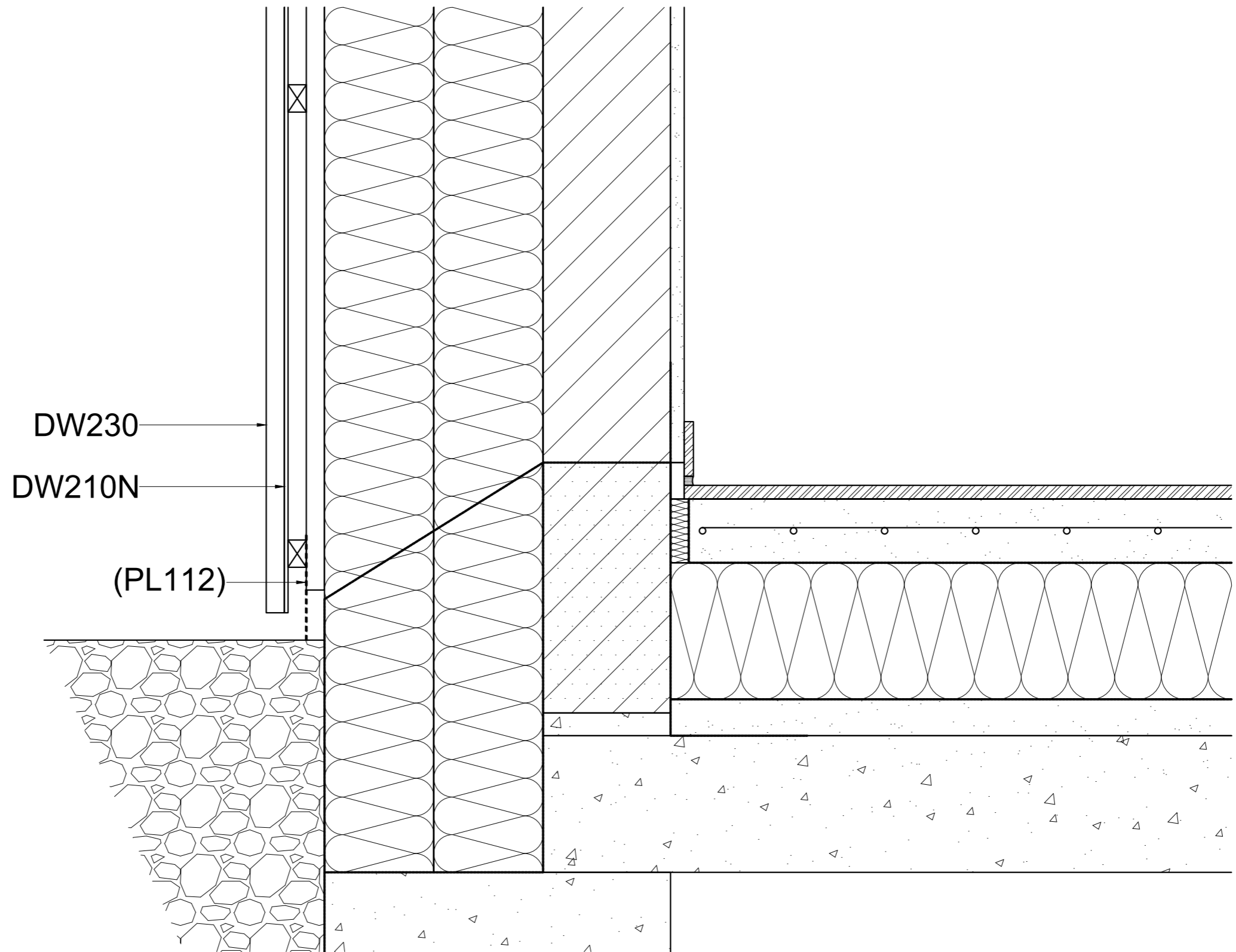
DECOWALL

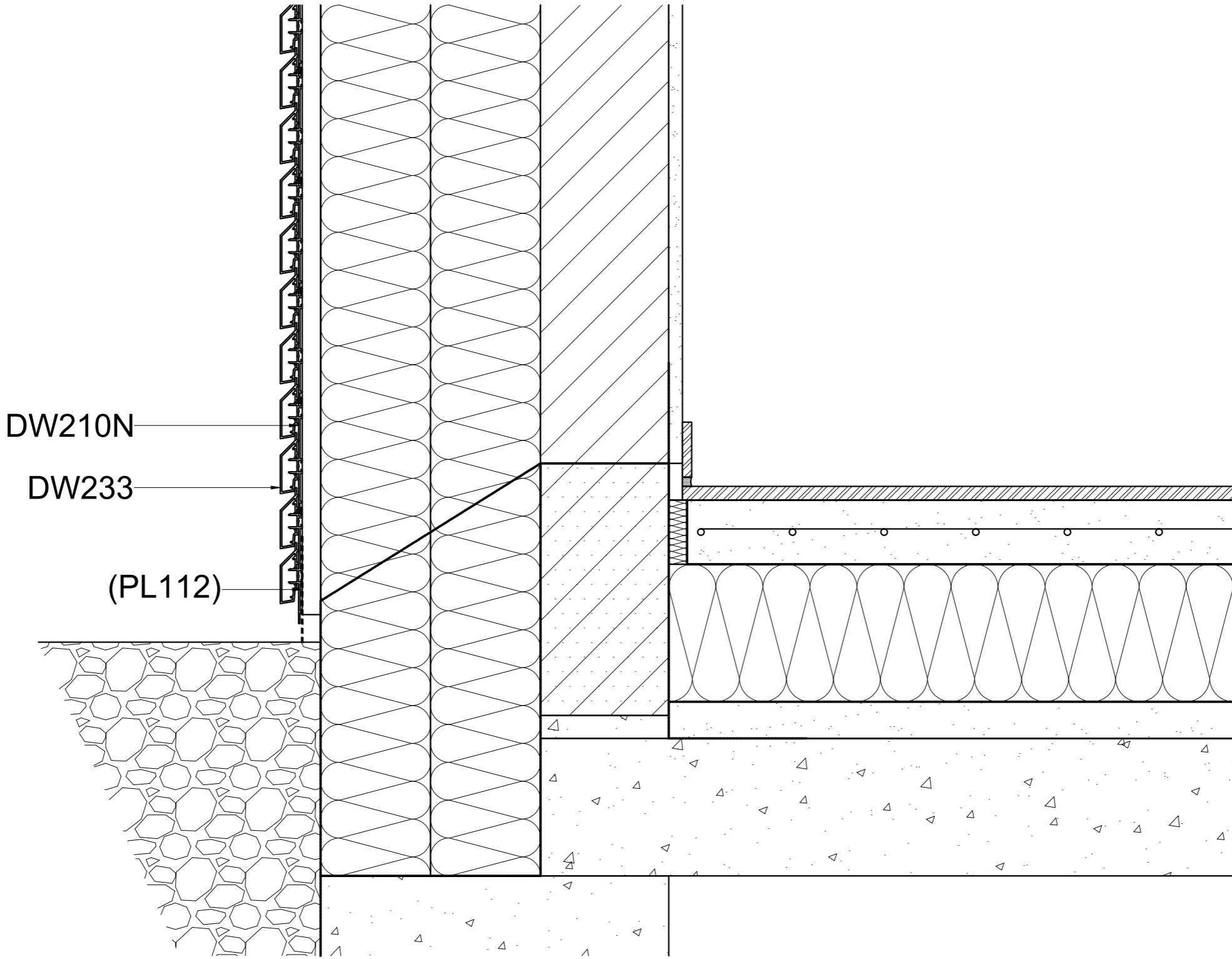
architect section drawings

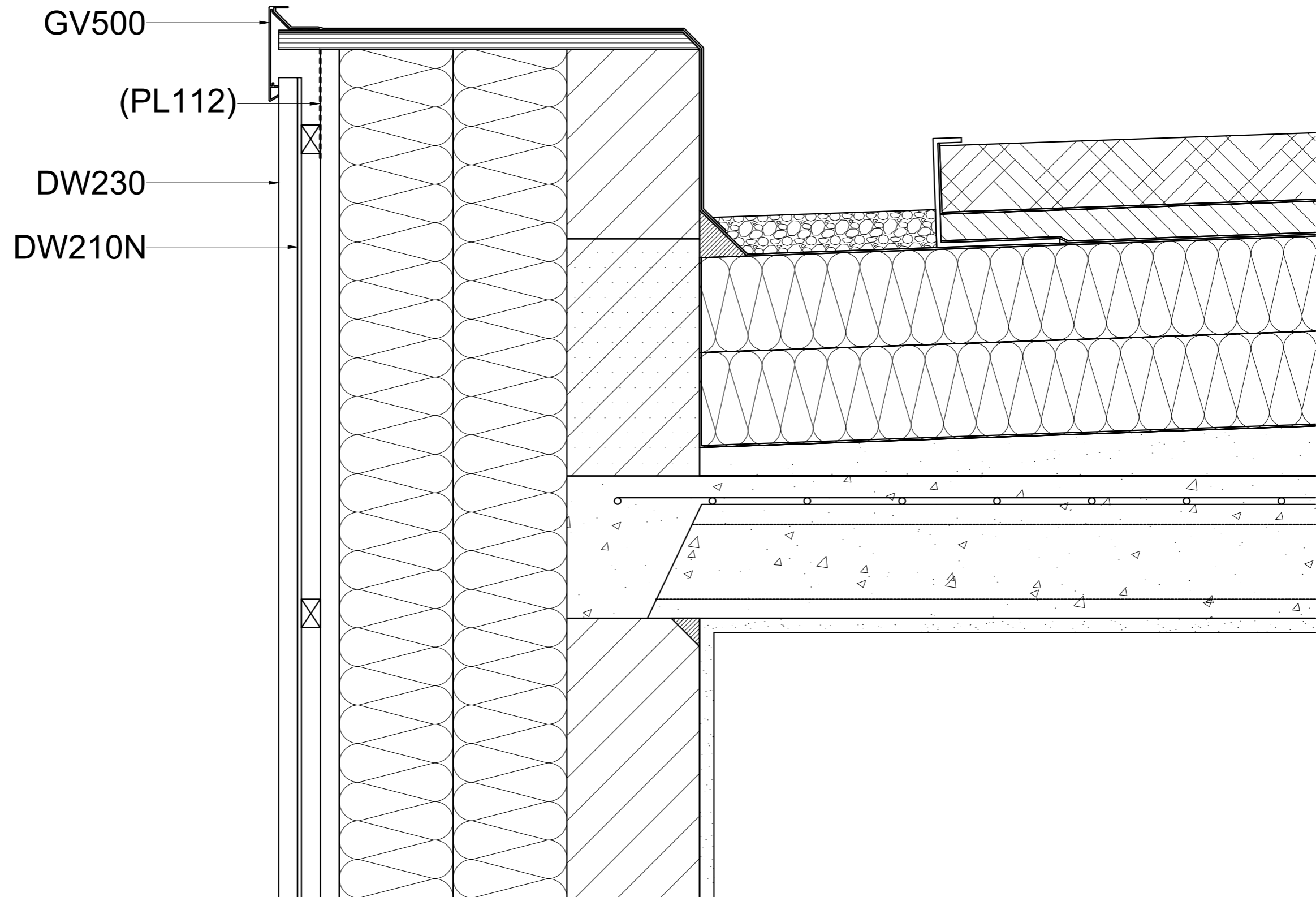


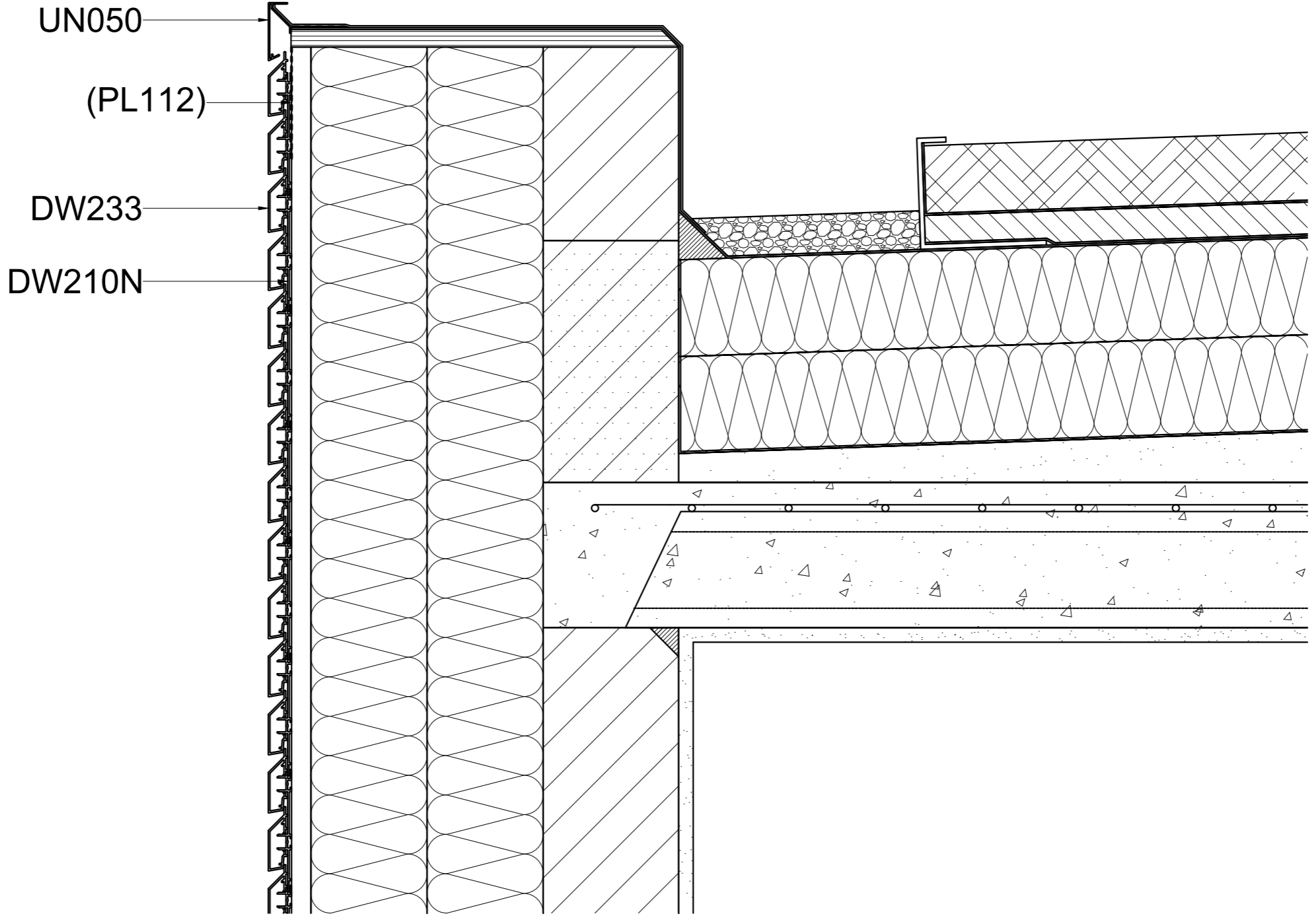
ARCH_007-DW260



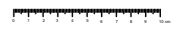


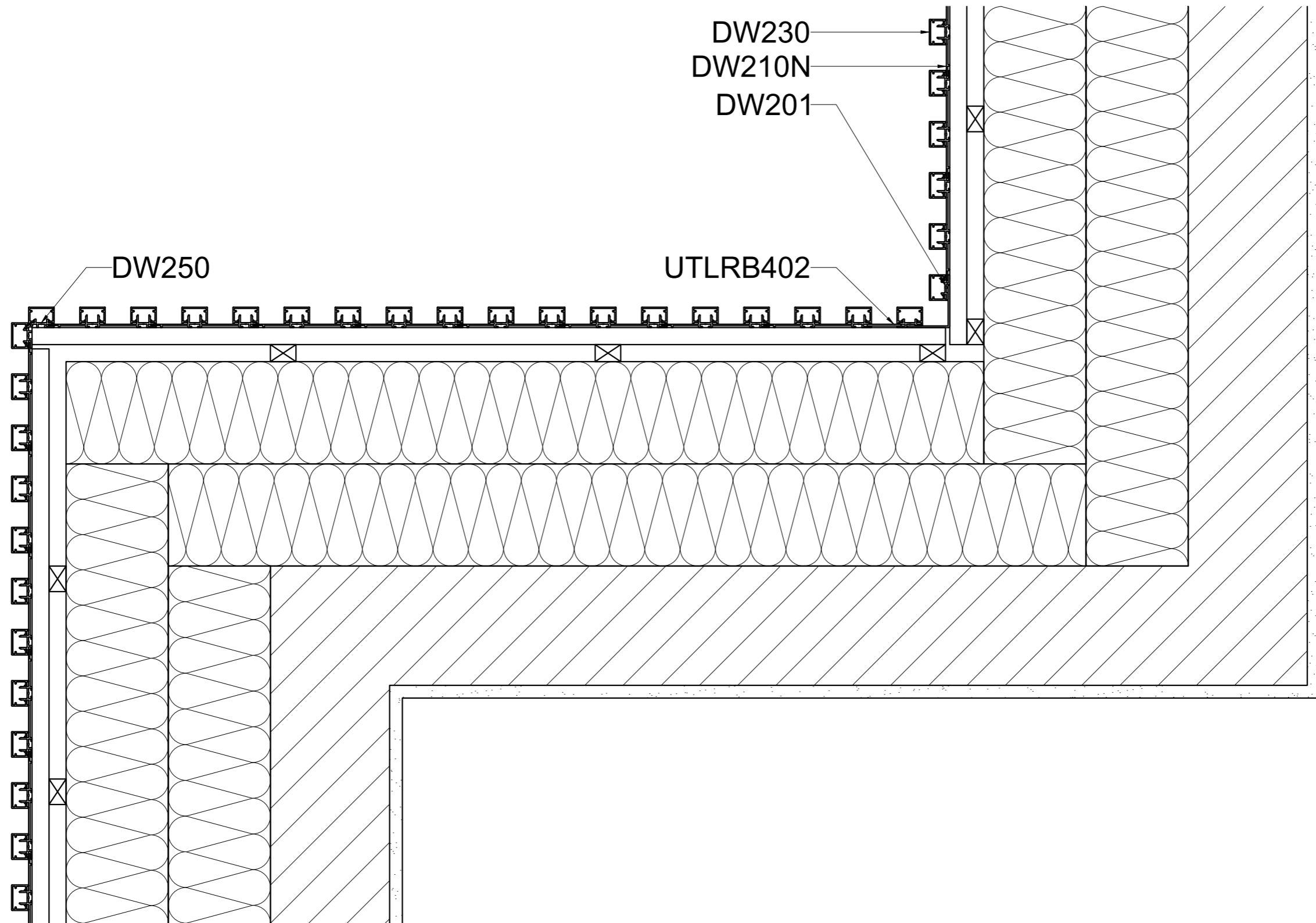


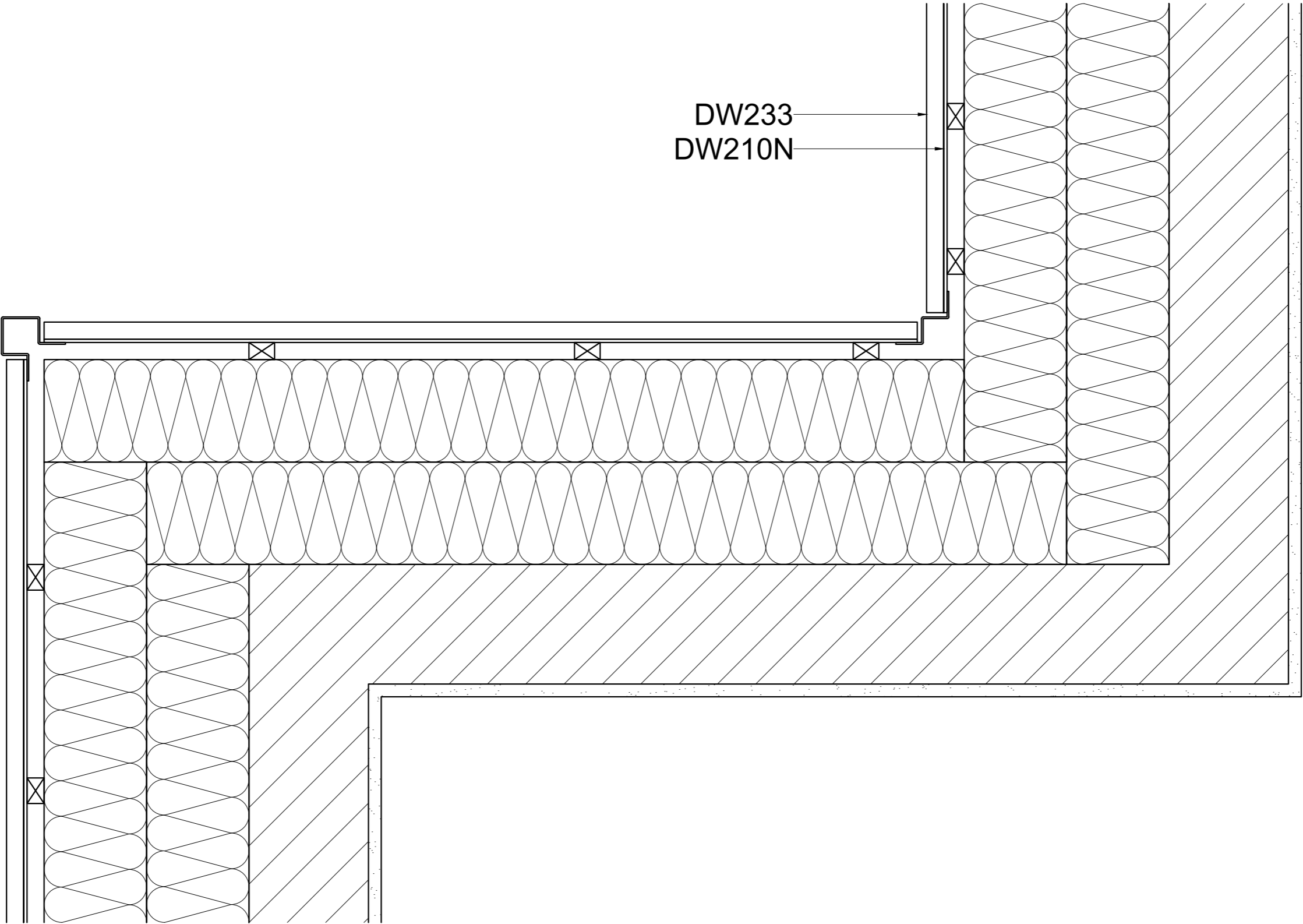




DOORSNEDETEKENINGEN - SECTION DE NOEUDS - PROFILKOMBINATIE - SECTION DRAWINGS







DOORSNEDETEKENINGEN - SECTION DE NOEUDS - PROFILKOMBINATIEKENINGEN - SECTION DRAWINGS



