

# Newsletter

January - february - march 2025



# Introduction

---

Dear Partner,

The first quarter of 2025 is already over. We have a lot of new projects coming up. In this newsletter, we give you a nice overview.

At Aliplast, we have been committed to a more sustainable future for years. We are therefore very proud to have obtained the 'Gold Certificate for Sustainable Joinery'. Gold is, in fact, the level for products that are leaders in the industry.

Aluminium joinery is not only a sustainable product, it also offers unlimited design freedom. The Bernini Tower in Rotterdam is a fine example of this. Mix architecture designed this sustainable residential tower and even won an award for it.

In terms of marketing, we are not standing still either. In addition to the many publications in the media, we will again participate to various trade fairs in 2025. We have just finished a successful Batibouw and will soon participate at Future Facade, River Event and Architect@Work.

As usual, we are happy to present the latest additions and improvements to our product range.

Happy reading!



Xavier Van Sebroeck  
CEO Aliplast Systems



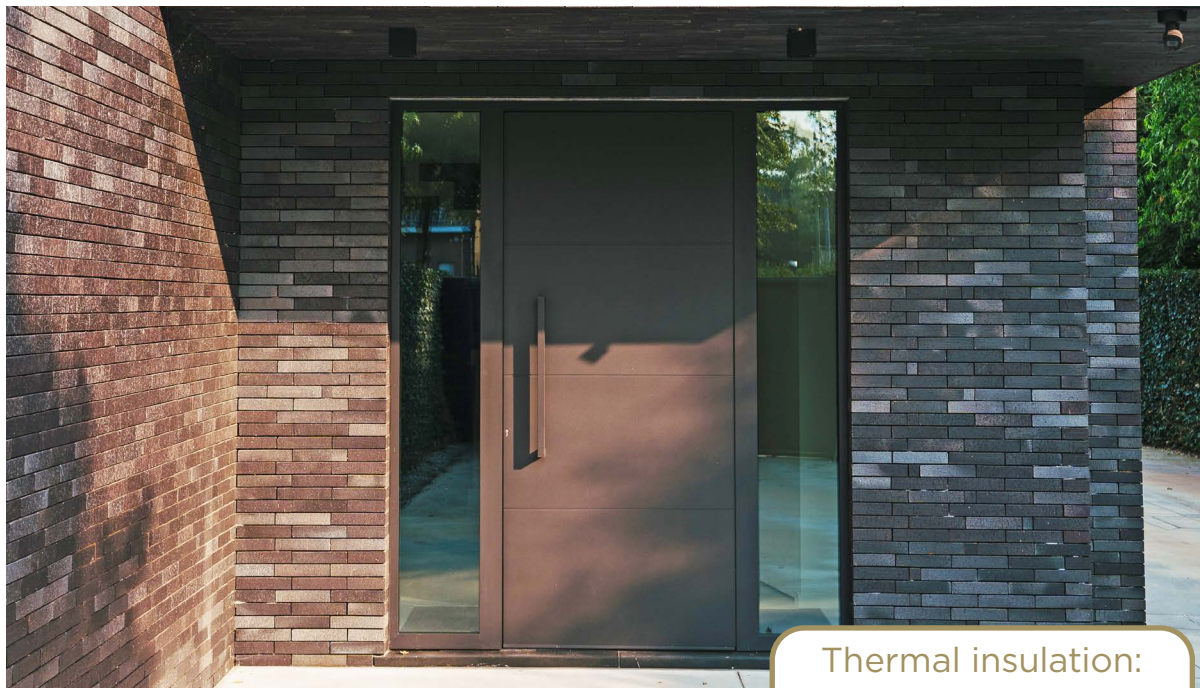
# Content



<b>4</b>	Product info   Test centre
<b>6</b>	Colour selection tip
<b>7</b>	New ordering platform
<b>8</b>	Fairs
<b>9</b>	Durability
<b>11</b>	Project in the picture
<b>13</b>	In the media
<b>14</b>	Software news
<b>15</b>	Product updates
<b>57</b>	Catalogue updates
<b>58</b>	Contacts

# Product information

## New pre-insulated Star 75 profiles



Our Star75 doors are now also available with pre-insulated profiles.

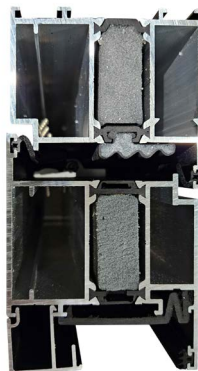
### ADVANTAGES

- Insulation integrated and glued at the factory.
- Ecological impact of recycled mousse.
- Latest generation two-piece strip.
- Possibility of an additional seal between the window and the sash to limit air passage.
- New ACRS1401 screw-on hinge for easy installation.
- New sill RS3490 with the same width as the window, allowing easier installation of floor covering.
- Screwless sill attachment with aluminium profile trim.
- Thicker central sill strip for greater rigidity during installation.
- Saves installation time when making the sash and window.
- Shrink or screw fastening system.

easy hinge

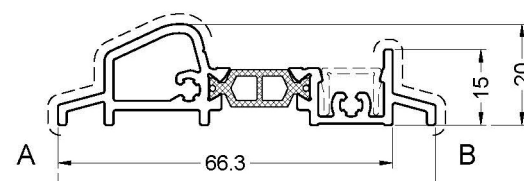


newest insulation



new sill

RS3490



# Product information

---

## New lengths for Somnium

To strengthen your competitiveness, we are launching new lengths for several profiles in the Somnium range. In this way, we ensure that the waste percentage is reduced even more, resulting in nice cost savings.

The Somnium profiles below will be available in the following lengths::

- SOM020: 4300mm / 5000mm / 6000mm / 7000mm
- SOM024: 4300mm / 5000mm / 6000mm / 7000mm
- SOM023: 4000mm / 4500mm / 5000mm / 6000mm / 7000mm
- SOM170: 5100mm / 6100mm
- SOM171: 6000mm / 7000mm
- SOM172: 5100mm / 6500mm



## Pneumatic unit for punch tools

We remind you that ACIP911 and ACIP911H are allowed a maximum pressure of 6-7 bar.



# Test centre

---

The construction of our new test centre has started. With this facility, we aim to continue to guarantee the highest quality standards and provide you with the best aluminium systems.



# Colour selection tip

---

## From colour 9ST05D to 905-TC

As part of continuous quality improvement within our organisation, we would like to strongly recommend using colour 905-TC instead of 9ST05D. 905-TC is a similar colour but with superior quality, allowing us to give a better guarantee..

### **Description of 905-TC**

The colour 905-TC is a RAL 9005 matt fine-textured powder coating. This colour is known for its durability and superior quality. It is a Qualicoat class 2 powder, which means it meets the highest standards for powder coatings..

### **Benefits of the conversion**

- Qualicoat class 2 powder has better resistance to weathering and abrasion.
- Longer guarantee period: the colour 905-TC comes with a 25-year marine paint guarantee instead of the standard 15 years.
- Standard colour range: 905-TC is a colour that is standard in the Aliplast colour range, which guarantees the availability and consistency of the colour.

### **Conclusion**

Given the numerous advantages and significant quality improvement offered by the colour 905-TC, we strongly recommend discontinuing the colour 9ST05D and switching to 905-TC.

# New ordering platform

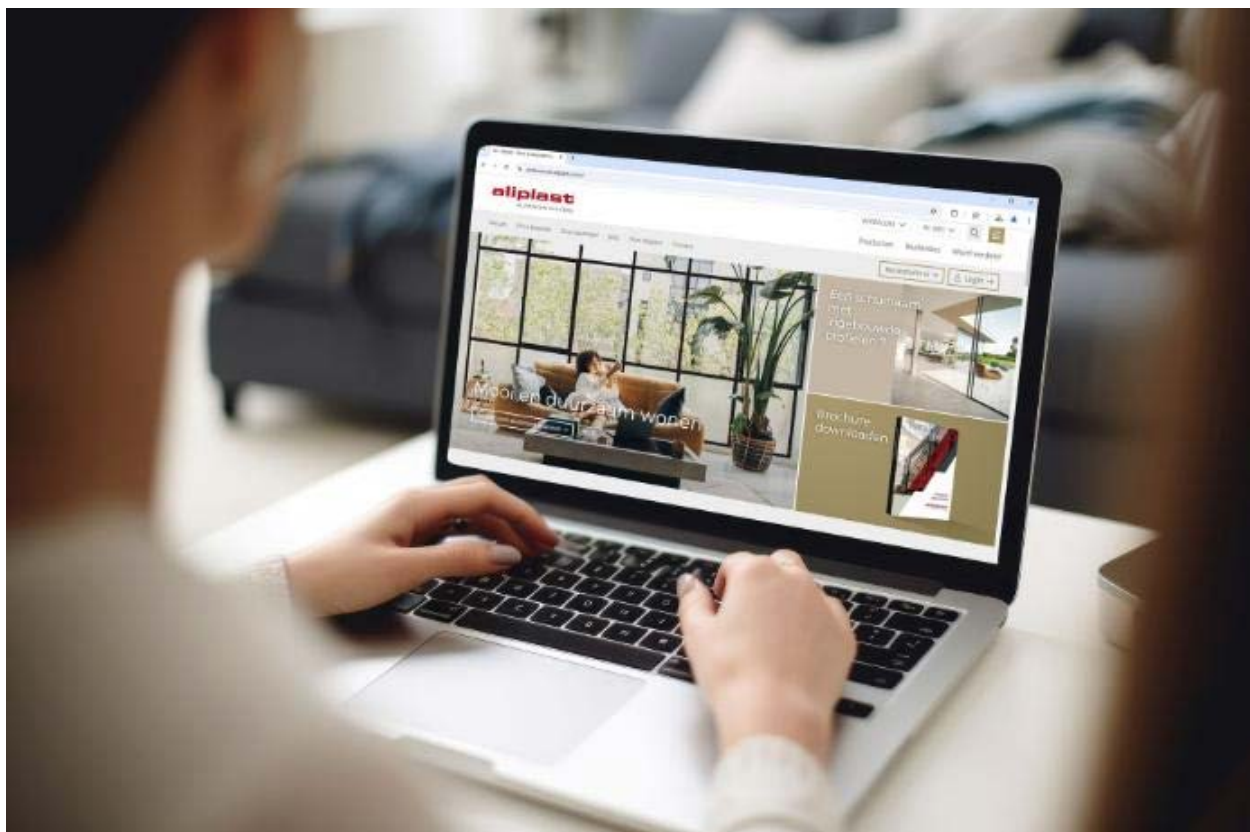
Our new ordering platform via ODOO has been online for several weeks. This gave you the opportunity to become familiar with this new platform. We would therefore like to inform you that our previous EDI ordering platform will go offline from 1 April.

Have you not yet switched to our new platform ? If so, please contact our helpdesk on your first order so that we can activate your account and ensure a smooth transition.

Our Helpdesk is available via:

- Email: EDI.helpdesk@aliplast.com
- Phone:
  - English: Evelien Rosseels +32 9 340 55 56
  - Scandinavia: Séverine Denolf +32 9 340 55 48

[Download the manual here](#)



# Fairs

## BATIBOUW 2025

More than 203,000 visitors attended the fair. We look back on a successful fair with many interested parties visiting our stand. .



## FUTURE FACADE 2025

Aiplast will participate at Future Facade in Utrecht (NL) on 7 & 8 May..

**FUTURE FACADE**

The international event where design, esthetics and engineering meet

7-8 May '25  
Jaarbeurs | Utrecht  
More info? [future-facade.com](http://future-facade.com)

# Sustainability



## Aliplast receives gold sustainability certificate



In the construction sector, there is an increasing focus on sustainability and circularity. This also applies to windows, doors, and facade systems.

The organisation “Duurzaam Schrijnwerk” is one of the first to combine high quality with environmental and social aspects. The certification takes into account the entire life cycle of the joinery. This includes the raw material used, the production conditions at the joinery manufacturer who makes the joinery element, his suppliers, the use of the finished product, and recycling or reuse.

This organisation aims to valorize and communicate sustainability efforts in a transparent and reliable manner. Based on annual audits conducted by BCCA, sustainability is interpreted in the broadest possible way.

Sustainability for BCCA is divided into two parts:

- Long lifespan of products (durability)
- Socially responsible, both environmentally and socially (sustainability).

Certification is done according to 3 levels:

- Bronze: basic level
- Silver: level with considerable effort
- Gold: level with very great effort

Aliplast is therefore very proud to have obtained the gold certificate. Gold is the level for products that are leaders within the industry in all areas. This level requires a very big effort and results in a product that is very sustainable. This level can only be achieved in exceptional cases.



At Aliplast, we have been striving for a more sustainable future for years. Curious about what initiatives we are taking?

[Discover here the new sustainability page](#)

# Sustainability

---

## EPD for Star 75

An Environmental Product Declaration (EPD) is a standardised document that shows the environmental performance of a product or material in a transparent and objective way throughout its life cycle. Currently, an EPD is already available for the extrusion of profiles.

Now the first 3 EPDs are ready for the Star 75 low carbon. These include a fixed, a tilt-and-turn window and a double-opening window. These EPDs are specific to a low carbon solution. This means that the aluminium billets used to produce the profile are made on a sustainably way with recycled aluminium.

The EPDs, aimed at the Belgian market, only need to be approved by the FPS Public Health. Once that is done, they will be uploaded into TOTEM. This stands for 'Tool to Optimise the Total Environmental impact of Materials' and is a platform for architects and construction companies where they can find various information on the impact of materials on the environment.

Do you have a low carbon project? Don't hesitate to contact your Aliplast contact person!

# Project in the picture

## New student complex

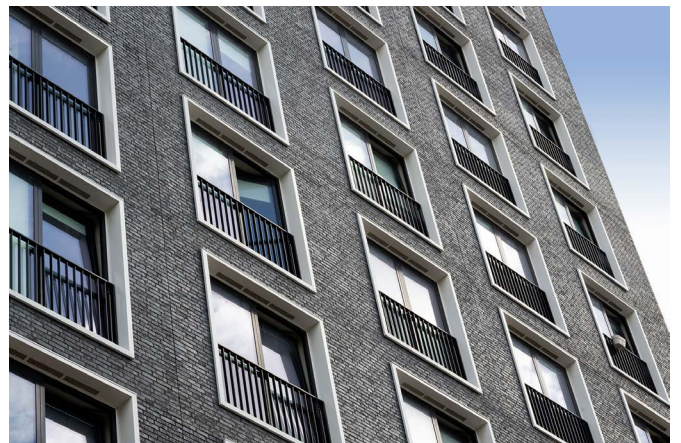


*In the Bio Science Park in Leiden (NL), the new student complex with 289 independent houses immediately catches the eye. The design by Klunder Architecten was realised by Waal Bouw, Stalku Geveltechniek provided the aluminium windows. Aliplast Aluminium Systems developed a special profile to finish the Star75 with the reveal. These were installed as prefabricated elements on the building site. At the bottom of the building, the MC Wall curtain wall system was chosen..*

In total, there are 22 floors with 289 flats in the imposing student complex, all with their own facilities. With the students' input in mind, three communal areas have been provided on the ground floor. A game & play room, a study café and a study area should ensure the right balance between studying and relaxing with the students. The architects also took sustainability into account, including a green roof that buffers rainwater and provides air purification and biodiversity, among other things. Besides this green roof, some facades are also covered with greenery. For instance, bats or house sparrows can find shelter there. An important aspect of the building is that it is completely gas-free and electricity is generated via solar panels..

### **Dark and light shades in contrast**

The windows and curtain walls also contribute to the sustainability and appearance of this building. Star75 profiles were implemented for the upper floors and MC Wall as a curtain wall system for the plinth. The windows were powder-coated in black, while traffic white was chosen as the colour for the reveal. This creates a nice contrast between the dark and light shades.



# Project in the picture

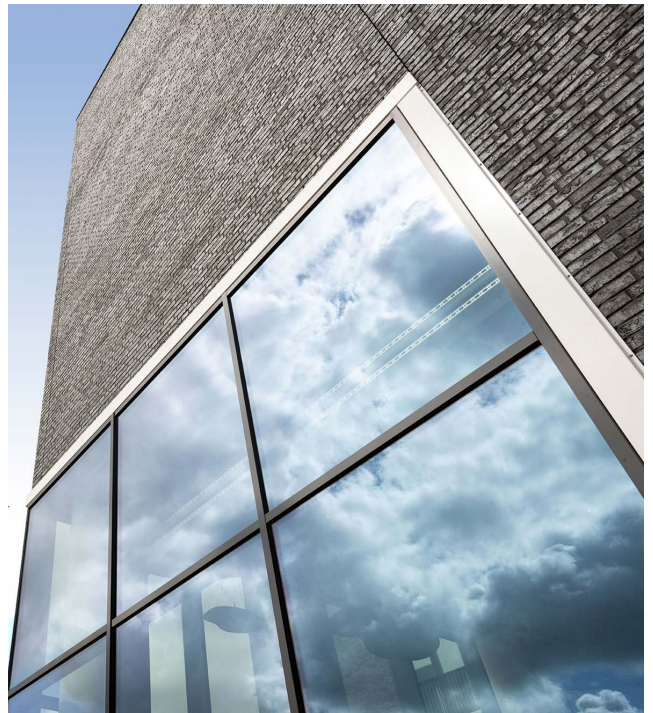
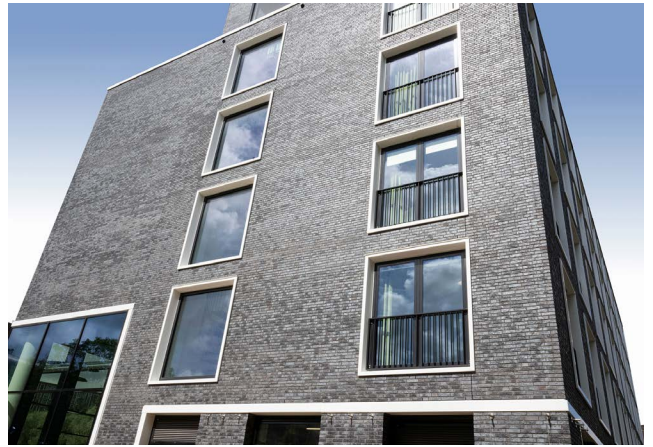
## **Star75 windows and MC Wall curtain wall system**

Star75 has a recessed depth of 75 mm for the outer frame and 84 mm for the sash, suitable for glass thicknesses of 12-61 mm and 21-69 mm respectively. With a  $U_w$  value of  $0.94 \text{ W/m}^2\text{K}$ , air tightness class 4 and acoustic value of 47.1 dB, it is ideal for applications with high thermal and acoustic insulation requirements.

The MC Wall curtain wall system offers a uniform line of 55 mm with studs up to 326 mm and battens up to 294 mm, suitable for glass thicknesses up to 74 mm. With a  $U_f$  value of  $1.5 \text{ W/m}^2\text{K}$ , air tightness class AE1300, water tightness class RE1500, acoustic value up to 41 dB and fire resistance certificates EI30 and EI60, it performs strongly on aesthetics, insulation and fire safety.

## **Special profile**

Specifically for this project, a special profile of 215 mm was developed to finish the reveal side. In most applications, the window and reveal are assembled separately, but in this case this was done in the workshop itself. Thus, as a prefab element, this could be installed quickly, speeding up the process. Since Aliplast does everything in-house, from extrusion to powder coating, this allowed for flexibility to deliver the desired product ready for use.



# In the media

---



The Bernini Tower has won the award of the Most Striking Real Estate Project Rotterdam 2025. MIX architecture designed this sustainable residential tower on the in Rotterdam.

Bernini Rotterdam is an innovative residential tower that will change Rotterdam's skyline. With 72 flats, the tower contributes to neighbourhood improvement. The elegant design, with unique Y-columns also has a roof garden.

At Aliplast, we are very proud to contribute to the beautiful residential tower with aluminium customisation. This 20-storey tower will be fitted with our Star 75 system for which customised profiles were developed and installed specifically for this project by our partner Vosselmans NV. Congratulations to MIX architectuur B.V. for winning this award!

# Software news

Please contact our technical department if you would like to install these software packages :

- Steve Heindryckx ([steve.heindryckx@aliplast.com](mailto:steve.heindryckx@aliplast.com))
- Ismail Sahin ([ismail.sahin@aliplast.com](mailto:ismail.sahin@aliplast.com))
- Sebastien Caeldries ([sebastien.caeldries@aliplast.com](mailto:sebastien.caeldries@aliplast.com))

## Chacal NEXT

In order to update prices and data correctly, the latest version of Chacal\_NEXT is required.

**Actual version: 1.7.24114**

## Cover

Cover software only **Softkey: 2.3.1.3023 , library 2502.045**

## Logikal

**Actual version 12.4.1.1307 - Databank: 23171**

Need help ?

Orgadata helpdesk  

### IMPORTANT :

To avoid missing price corrections and always have the latest programme functions and solutions, for example creating and maintaining your own glass library and own articles, it is import to update of the software at least once a month. This only takes a few minutes.

Potential consequential damages resulting from failure to consistently perform these updates will no longer be accepted as a complaint..



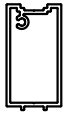
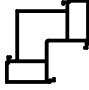
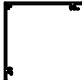
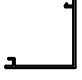
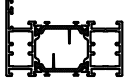
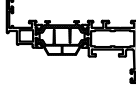

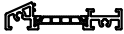

# Product updates

Serie	Description	Page
ALG	LOGIMAX ADDED / LENGTHS MODIFIED	15
	OTHER ORDER UNITS AVAILABLE	16
	DISCONTINUATION AND REPLACEMENT	17
	DISCONTINUATION	18-23
	ORDER FORM	24
MINILINE	NEW ACCESSORIES	25
FUHR	NEW ACCESSORIES	26-27
SOBINCO	NEW ACCESSORIES	28-30
GARDEN VILLA	NEW PROFILES / ACCESSORIES	31-32
MC-WALL	NEW ACCESSORIES	33
FLYSCREEN	NEW ACCESSORIES	34
SOMNIUM	NIEUWE SOMFY HANDLEIDINGEN	35-36
STAR75	EXTRA INFO - NEW ACCESSORIES	37 -42
ULTRAGLIDE	NEW PROFILES / ACCESSORIES	43-53
VG500	NEW PROFILES	54

New

# GENERAL



## LOGIMAX ADDED / LENGTHS MODIFIED

NUMMER NUMERO NUMMER NUMBER	AFBEELDING IMAGE BILD PICTURE	OMSCHRIJVING DESCRIPTION BESCHREIBUNG DESCRIPTION	PER PAR PRO PER
SOM020		RINGBALK POUTRE D'ANNEAU UNTERZUG RINGBEAM	✓ 4.3 ✓ 6.0
SOM023		OPHANGGOOT GOUTTIERE RINNENPROFIL GUTTER	✓ 4.0 ✓ 6.0
SOM024		VERHOOGPROFIEL RINGBALK PROFILE DE REHAUSSE POUR POUTRE D'ANNEAU UNTERZUG ERHOHUNG PROFILE RINGBEAM RAISING PROFILE	✓ 4.3 ✓ 6.0
SOM170		HOEKPAAL POTEAU A COIN ECKPOSTEN CORNER POST	✓ 5.1
SOM171		AFDEKPROFIEL BUITENZIJDE SOM170 PROFILE DE RECOUVREMENT EXTÉRIEUR SOM170 VERKLEIDUNGSPROFIL AUSSENSEITE SOM170 COVERING PROFILE OUTSIDE SOM170	✓ 6.0
SOM172		AFDEKPROFIEL BINNENZIJDE SOM170 PROFILE DE RECOUVREMENT INTÉRIEUR SOM170 VERKLEIDUNGSPROFIL INNENSEITE SOM170 COVERING PROFILE INSIDE SOM170	✓ 5.1
ML011		BUITENKADER DORMANT RAHMENPROFIL OUTER FRAME 50 MM	✓ 3.5
ML020		VLEUGELPROFIEL OUVRANT FLÜGELPROFIL VENT PROFILE 55 MM (EURONUT)	✓ 3.25
ML041		GEÏNTEGREERD STOLPPROFIEL MAUCLAIR INTÉGRÉE INTEGRIERT STULPPROFIL INTEGRATED DOUBLE CASEMENT PROFILE	✓ 3.25
ML495		BODEMPROFIEL PROFILE DE SEUIL SCHWELLE FLOOR PROFILE 17.5 MM	✓ 3.5
ER031		AFDEKPROFIEL PROFILE DE RECOUVREMENT ABDECKPROFIL COVERING PROFILE	✓ 4.5

# Overview

# GENERAL





## OTHER AVAILABLE ORDER UNITS

NUMMER NUMERO NUMBER NUMBER	AFBEELDING IMAGE BILD PICTURE	OMSCHRIJVING DESCRIPTION BESCHREIBUNG DESCRIPTION	PER PAR PRO PER
SOM111		LIGGER 200mm <span style="color: red;">✗</span>	6.0
		CHEVRON 200mm <span style="color: green;">✓</span>	6.7
ACMX840		SCHROEF DIN 965 M5X40 INOX A2 <span style="color: red;">✗</span>	500
		VIS DIN 965 M5X40 INOX A2 <span style="color: green;">✓</span>	200

# Discontinuation

# GENERAL




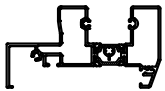
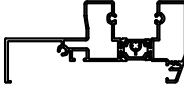

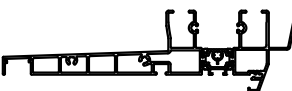



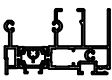
## DISCONTINUATION AND REPLACEMENT

NUMMER NUMERO NUMMER NUMBER		AFBEELDING IMAGE BILD PICTURE	OMSCHRIJVING DESCRIPTION BESCHREIBUNG DESCRIPTION	PER PAR PRO PER
ACSIN340			TEGENSTUK GRENDEL CONTRE-PIECE VERROU RIEGEL GEGENSTUCK BOLT COUNTERPIECE	2
ACSIN340N				

# Discontinuation

# GENERAL

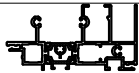
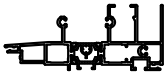
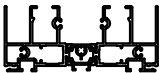
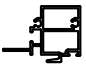
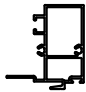
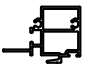
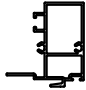
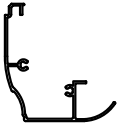
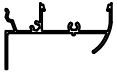
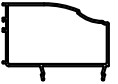
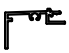
## DISCONTINUATION

NUMMER NUMERO NUMBER NUMBER		AFBEELDING IMAGE BILD PICTURE	OMSCHRIJVING DESCRIPTION BESCHREIBUNG DESCRIPTION	PER PAR PRO PER
GSL801	✗		BUITENKADER MONOBLOC DORMANT MONOBLOC RAHMEN MONOBLOC OUTER FRAME MONOBLOC	6.5
GSL802	✗		BUITENKADER MONOBLOC DORMANT MONOBLOC RAHMEN MONOBLOC OUTER FRAME MONOBLOC	6.5
GSL803	✗		BUITENKADER MONOBLOC DORMANT MONOBLOC RAHMEN MONOBLOC OUTER FRAME MONOBLOC	6.5
GSL810	✗		BUITENKADER MONOBLOC DORMANT MONOBLOC RAHMEN MONOBLOC OUTER FRAME MONOBLOC	6.5
GSL811	✗		BUITENKADER MONOBLOC DORMANT MONOBLOC RAHMEN MONOBLOC OUTER FRAME MONOBLOC	6.5
GSL812	✗		BUITENKADER MONOBLOC DORMANT MONOBLOC RAHMEN MONOBLOC OUTER FRAME MONOBLOC	6.5
GSL855	✗		BUITENKADER MONOBLOC DORMANT MONOBLOC RAHMEN MONOBLOC OUTER FRAME MONOBLOC	6.5
GSL2001	✗		MIDDENSTIJL SCHUIFDEUR CHICANE GALANDAGE WECHSELPROFIL SCHIEBETURE CHICANE SLIDING DOOR	6.5
GSL2002	✗		MIDDENSTIJL SCHUIFDEUR CHICANE GALANDAGE WECHSELPROFIL SCHIEBETURE CHICANE SLIDING DOOR	6.5
GSL2003	✗		BUITENKADER SCHUIFDEUR DORMANT GALANDAGE RAHMEN SHIEBETUR OUTER FRAME SLIDING DOOR	6.5
GSL2010	✗		KOZIJN SCHUIFDEUR BOVENAAN + ROLLUIK DORMANT GALANDAGE HAUTE + VR RAHMEN SCHIEBETUR TOP + ROLLADE OUTER FRAME SLIDING DOOR TOP + SHUTTER	6.5

# Discontinuation

# GENERAL




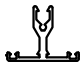




## DISCONTINUATION

NUMMER NUMERO NUMBER NUMBER		AFBEELDING IMAGE BILD PICTURE	OMSCHRIJVING DESCRIPTION BESCHREIBUNG DESCRIPTION	PER PAR PRO PER
GSL2011	✗		KOZIJN SCHUIFDEUR MONORAIL DORMANT GALANDAGE MONORAIL RAHMEN SCHIEBETUR MONORAIL OUTER FRAME SLIDING DOOR MONORAIL	6.5
GSL2012	✗		KOZIJN SCHUIFDEUR ONDERAAN + ROLLUIK DORMANT GALANDAGE BAS + VR RAHMEN SCHIEBETUR + ROLLADE OUTER FRAME SLIDING DOOR BOTTOM + SHUTTER	6.5
GSL2013	✗		KOZIJN SCHUIFDEUR 2 RAIL DORMANT GALANDAGE 2 RAIL RAHMEN SCHIEBETUR 2 RAIL OUTER FRAME SLIDING DOOR 2 RAIL	6.5
GSL2300	✗		MIDDENSTIJL SCHUIFDEUR CHICANE GALANDAGE WECHSELPROFIL SCHIEBETURE CHICANE SLIDING DOOR	6.5
GSL2310	✗		MIDDENSTIJL SCHUIFDEUR CHICANE GALANDAGE WECHSELPROFIL SCHIEBETURE CHICANE SLIDING DOOR	6.5
GSL2300	✗		MIDDENSTIJL SCHUIFDEUR CHICANE GALANDAGE WECHSELPROFIL SCHIEBETURE CHICANE SLIDING DOOR	6.5
GSL2310	✗		MIDDENSTIJL SCHUIFDEUR CHICANE GALANDAGE WECHSELPROFIL SCHIEBETURE CHICANE SLIDING DOOR	6.5
GSL2400	✗		AFWERKINGSPROFIEL SCHUIFDEUR PROFIL DE FINITION GALANDAGE ZUSATZPROFIL SCHIEBETURE FINISHING PROFILE SLIDING DOOR	6.5
GSL2410	✗		AFWERKINGSPROFIEL SCHUIFDEUR PROFIL DE FINITION GALANDAGE ZUSATZPROFIL SCHIEBETURE FINISHING PROFILE SLIDING DOOR	6.5
GSL2420	✗		AFWERKINGSPROFIEL SCHUIFDEUR PROFIL DE FINITION GALANDAGE ZUSATZPROFIL SCHIEBETURE FINISHING PROFILE SLIDING DOOR	6.5
GSL2430	✗		AFWERKINGSPROFIEL SCHUIFDEUR TAPEE GALANDAGE ZUSATSPROFIEL SCHEIBETUR FINISHING PROFILE SLIDING DOOR	6.5

# Discontinuation

# GENERAL












## DISCONTINUATION

NUMMER NUMERO NUMMER NUMBER		AFBEELDING IMAGE BILD PICTURE	OMSCHRIJVING DESCRIPTION BESCHREIBUNG DESCRIPTION	PER PAR PRO PER
GSL2440			AFWERKINGSPROFIEL SCHUIFDEUR TAPEE GALANDAGE ZUSATSPROFIEL SCHEIBETUR FINISHING PROFILE SLIDING DOOR	6.5
VR014			PVC CLIPS VOOR VR011 EN VR012 CLIPS EN PVC POUR VR011 ET VR012 PVC KLIPSE FUR VR011+VR012 PVC GLAZING STRIP	7.0
VR0114A			PVC CLIPS MET 1 RUBBER COEXTRUSIE CLIPS PVC + JOINTS EN COEXTRUSION PVC KLIPSE MIT GUMMI COEXTRUSION PVC PROFILE + GASKET COEXTRUSION	7.0
VR214			PVC ZIJCLIPS VOOR KOZIJN CLIPS LATERALE PVC POUR DORMANT SEIDEKLIPSE PVC FUR PFOSTEN PVC SIDE PROFILE FOR FRAME	7.0

# Discontinuation

# GENERAL

## DISCONTINUATION

NUMMER NUMERO NUMBER NUMBER		AFBEELDING IMAGE BILD PICTURE	OMSCHRIJVING DESCRIPTION BESCHREIBUNG DESCRIPTION	PER PAR PRO PER
ACGSL002	X		ZELFKLEVENDE PE MOUSSE PE AUTOCOLLANT SELBSTKLEBEND PE SELF-ADHESIVE PE FOAM	10
ACGSL003	X		ZELFKLEVENDE PE MOUSSE PE AUTOCOLLANT SELBSTKLEBEND PE SELF-ADHESIVE PE FOAM	10
ACGSL005	X		ZELFKLEVENDE PE MOUSSE PE AUTOCOLLANT SELBSTKLEBEND PE SELF-ADHESIVE PE FOAM	1
ACGSL006	X		ZELFKLEVENDE PE MOUSSE PE AUTOCOLLANT SELBSTKLEBEND PE SELF-ADHESIVE PE FOAM	1
ACGSL031	X		CENTRALE DICHTING ONDER EN BOVEN SCHUIFDEUR ETANCHEITE CENTRALE INF. ET SUP. GALANDAGE MITTELDICHTUNG UNTER UND OBEN SCHIEBETUR PLUG FOR RISERS AND ANTIDUST TOP AND BOTTOM	1
ACGSL043	X		BORSTELAFDICHTING JOINT BROSSE GALANDAGE BURSTENDICHTUNG BRUSH FITTING	150
ACGSL085	X		BEVESTIGINGSSCHROEVEN VIS DE MONTAGE MONTAGESCHRAUBEN ASSEMBLY SCREWS	100
ACGSL086	X		ZELFBORENDE SCHROEVEN VIS AUTOFOREUSE SELBSTSCHNEIDENDES GEWINDE SELF DRILLING SCREWS	100
ACGSL087	X		BEVESTIGINGSSCHROEVEN VIS DE MONTAGE MONTAGESCHRAUBEN ASSEMBLY SCREWS	100
ACGSL088	X		ZELFBORENDE SCHROEVEN VIS AUTOFOREUSE SELBSTSCHNEIDENDES GEWINDE SELF DRILLING SCREWS	200
ACGSL309	X		EINDSTUK EMBOUT ENDSTUCK END PIECE	1

# Discontinuation

# GENERAL


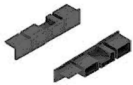

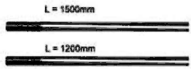
## DISCONTINUATION

NUMMER NUMERO NUMMER NUMBER		AFBEELDING IMAGE BILD PICTURE	OMSCHRIJVING DESCRIPTION BESCHREIBUNG DESCRIPTION	PER PAR PRO PER
ACGSL310	✗		PVC EINDSTUKJES VOOR BINNENSTE KAMER GSL801 PIECE FINALE PVC POUR CHAMBRE INTERIEUR GSL801 PVC ENDKAPPE FUR INNERE KAMMER GSL801 PVC END PART FOR INSIDE CHAMBER GSL801	1
ACGSL312	✗		EINDSTUK VOOR GSL801-GSL803 EMBOUT POUR GSL801-GSL803 ENDSTUCK FUR GSL801-GSL803 END PIECE FOR GSL801-GSL803	1
ACGSL313	✗		EINDSTUK VOOR GSL803 EMBOUT POUR GSL803 ENDSTUCK FUR GSL803 END PIECE FOR GSL803	1
ACGSL605	✗		EINDSTUK VOOR GSL2300 EMBOUT POUR GSL2300 ENDSTUCK FUR GSL2300 END PIECE FOR GSL2300	1
ACGSL606	✗		EINDSTUK VOOR GSL2310 EMBOUT POUR GSL2310 ENDSTUCK FUR GSL2310 END PIECE FOR GSL2310	1
ACGSL630	✗		EINDSTUK VOOR GSL2003 EMBOUT POUR GSL2003 ENDSTUCK FUR GSL2003 END PIECE FOR GSL2003	1
ACGSL631	✗		EINDSTUK VOOR GSL2300 2 RAIL EMBOUT POUR GSL2300 2 RAIL ENDSTUCK FUR GSL2300 2 RAIL END PIECE FOR GSL2300 2 RAIL	1
ACGSL633	✗		EINDSTUK BUITENKADER ONDERAAN BOUCHON DORMANT BAS ENDSTUCK RAHMENPROFIL UNTER END PIECE FRAME	1
ACGSL634	✗		EINDSTUK MONORAIL + ROLLUIK EMBOUT MONORAIL + VOLET ROULANT ENDSTÜCK MONORAIL + ROLADE PROFILE END PIECE MONORAIL + SHUTTER PROFILES	1
ACGSL636	✗		EINDSTUK MONORAIL EMBOUT MONORAIL ENDSTÜCK MONORAIL END PIECE MONORAIL	1
ACGSL2440	✗		EINDSTUK GSL2440 EMBOUT GSL2440 ENDSTUCK GSL2440 END PIECE GSL2440	1

# Discontinuation

# GENERAL

## DISCONTINUATION

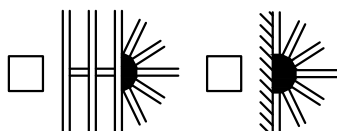
NUMMER NUMERO NUMMER NUMBER		AFBEELDING IMAGE BILD PICTURE	OMSCHRIJVING DESCRIPTION BESCHREIBUNG DESCRIPTION	PER PAR PRO PER
ACEF852			EINDSTUK DORPEL EF812 EMBOUT SEUIL EF812 ENDSTUCK UNTERPROFIL EF812 END PIECE UNDERPROFILE EF812	1
ACDV214			STANG MET DRAAD (1.2M+1.5M) TIGE AVEC BOUT FILETE (1.2M+1.5M) STANGE MIT GEWINDE (1.2M+1.5M) BOLT WITH THREADED END (1.2M+1.5M)	2

# GENERAL

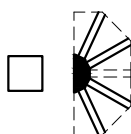
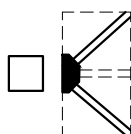
## ORDER FORM

<b>ACVR301</b>	HALF NOKSTUK + BOVENPLAAT DEMI FAÎTIÈRE + PLAQUE SUPÉRIEURE HALBE HÜFTE + PLATTE OBEN HALF HIP BRACKET + UPPER PLATE	BESTELFORMULIER BORDEREAU DE COMMANDE ORDER DOCUMENT AUFTRAG FORMULAR
DATE : _____	KLANT / CLIENT / KUNDE / CUSTOMER	P.O. : _____
REF. : _____	_____	ORDERNR. : _____
RAL IN: _____	_____	LEVERANCIER : _____
RAL EX: _____	_____	DATUM LEV. : _____

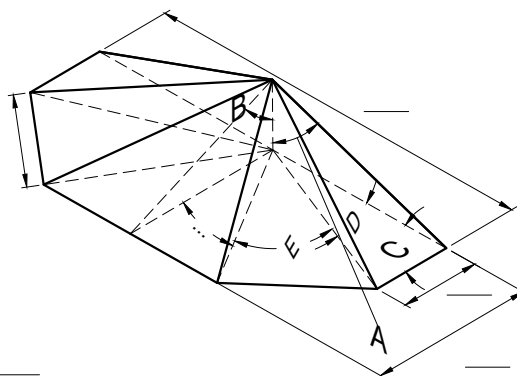
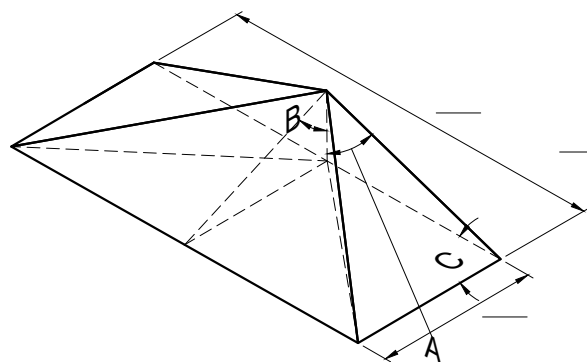
Selecteer type / Sélectionnez type / Selektier Typ / Select type



Grondplan in bijlage / Vue en plan en annexe / Grundplan in Anlage / Planview enclosed



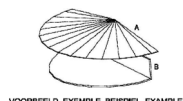
AANTAL LIGGERS:  
NOMBRE DES CHEVRONS:  
ANZAHL DER DACHSPARREN:  
NUMBER OF RAFTERS: \_\_\_\_\_



A: \_\_\_\_\_  
B: \_\_\_\_\_  
C: \_\_\_\_\_  
D: \_\_\_\_\_  
E: \_\_\_\_\_  
...: \_\_\_\_\_

NUMMER NUMERO NUMMER NUMBER	AFBEELDING IMAGE BILD PICTURE	OMSCHRIJVING DESCRIPTION BESCHREIBUNG DESCRIPTION	PER PAR PRO PER
--------------------------------------	--	--	--------------------------

ACVR301



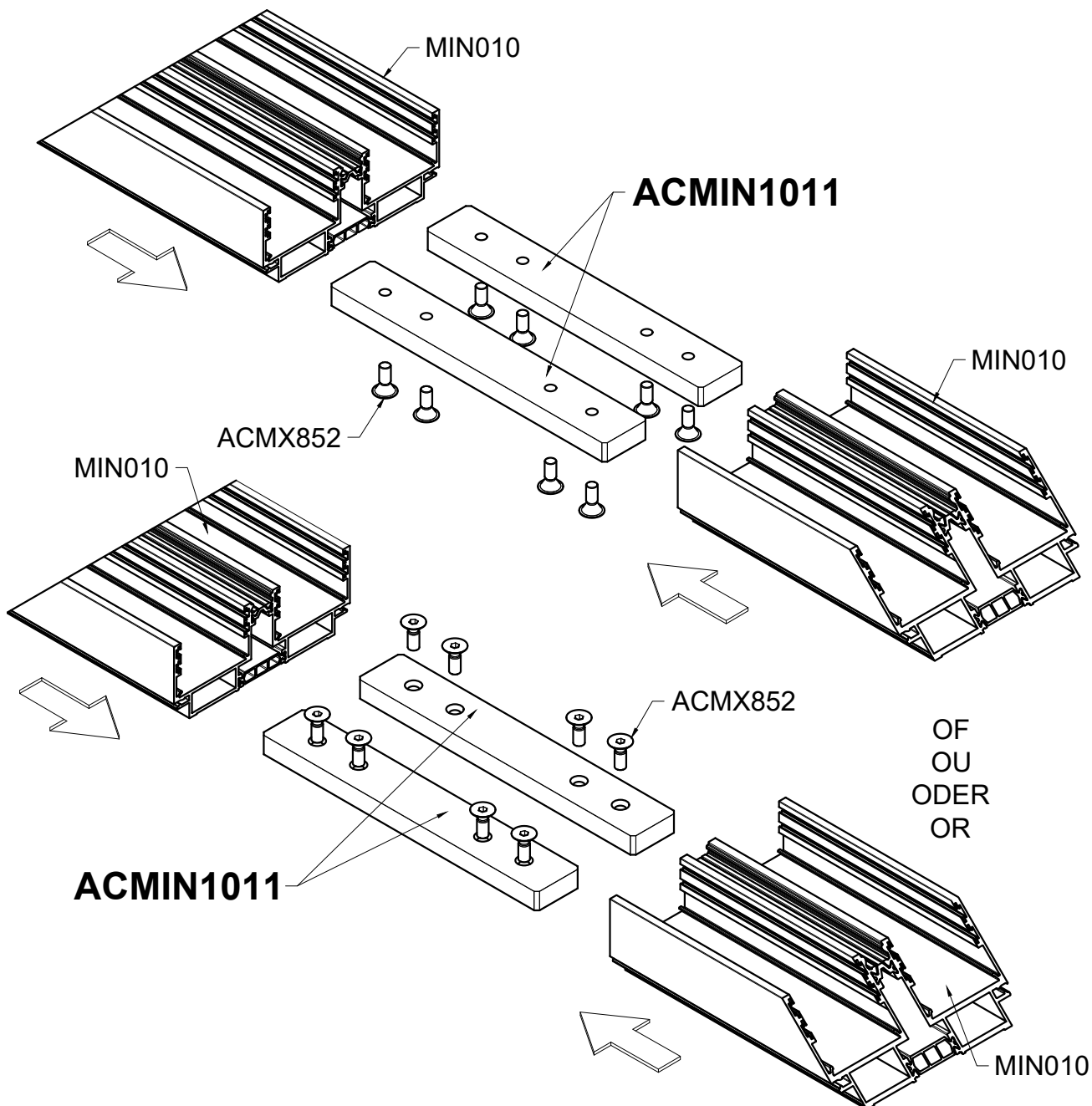
HALF NOKSTUK + BOVENPLAAT  
DEMI FAÎTIÈRE + PLAQUE SUPÉRIEURE  
HALBE HÜFTE + PLATTE OBEN  
HALF HIP BRACKET + UPPER PLATE

1

New

# MINILINE

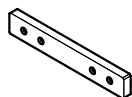
## OTHER ACCESSORIES



zie MIN catalog / voir le MIN catalogue / siehe MIN Katalog / see MIN catalog

NUMMER NUMERO NUMBER NUMBER	AFBEELDING IMAGE BILD PICTURE	OMSCHRIJVING DESCRIPTION BESCHREIBUNG DESCRIPTION	PER PAR PRO PER
--------------------------------------	--	--	--------------------------

ACMIN1011



KOPPELSTUK 180°  
PIECE DE RACCORDEMENT 180°  
KOPPLUNGSSTÜCK 180°  
CONNECTION PIECE 180°

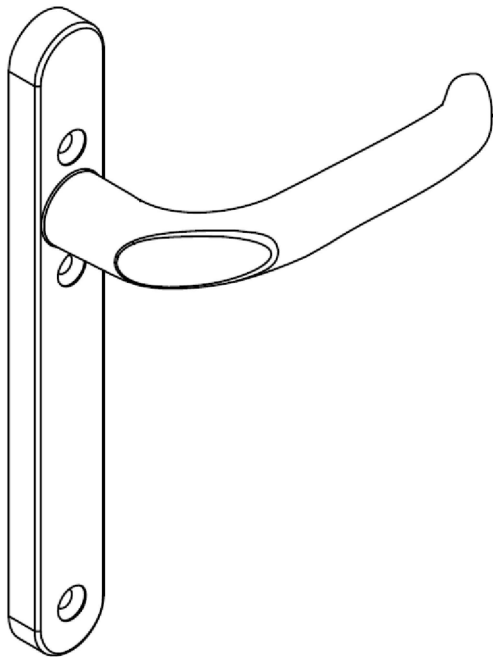
1

MIN\_NEW\_01

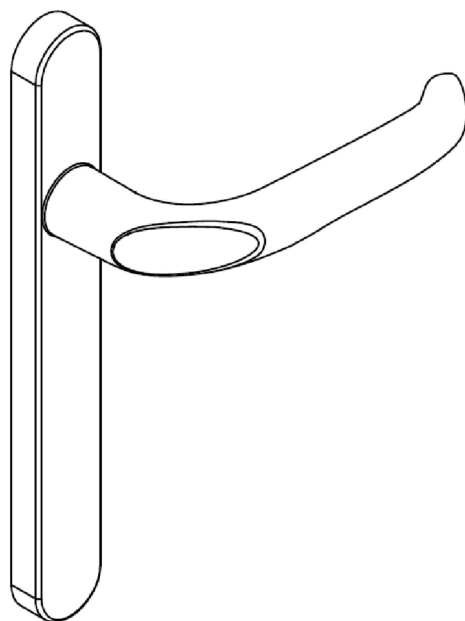
New

# FUHR

## NEW ACCESSORIES





ACSZ785F



ACSZ788F

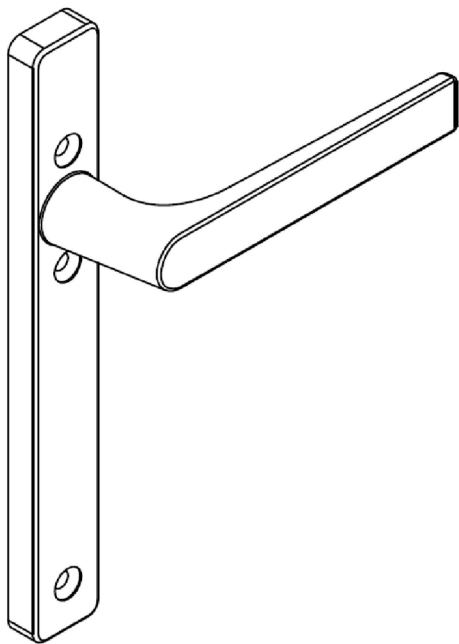
zie FU catalog / voir le FU catalogue / siehe FU Katalog / see FU catalog

NUMMER NUMERO NUMBER NUMBER	OMSCHRIJVING DESCRIPTION BESCHREIBUNG DESCRIPTION	PER PAR PRO PER
ACSZ785F	<p><i>SECURITY</i> DEURKRUK <i>BINNEN</i> ZONDER CILINDEROPENING POIGNÉE DE PORTE <i>SECURITY INTERIEUR</i> SANS CIL. <i>SECURITY</i> TÜRGRIFFE <i>INNEN</i> OHNE PROFILZYLINDERLOCH <i>SECURITY</i> DOOR HANDLE <i>INTERIOR</i> WITHOUT CYLINDER M6 HORIZON</p>	 1
ACSZ788F	<p><i>SECURITY</i> DEURKRUK <i>BUITEN</i> ZONDER CILINDEROPENING POIGNÉE DE PORTE <i>SECURITY EXTERIEUR</i> SANS CIL. <i>SECURITY</i> TÜRGRIFFE <i>AUSSEN</i> OHNE PROFILZYLINDERLOCH <i>SECURITY</i> DOOR HANDLE <i>EXTERIOR</i> WITHOUT CYLINDER M6 HORIZON</p>	 1

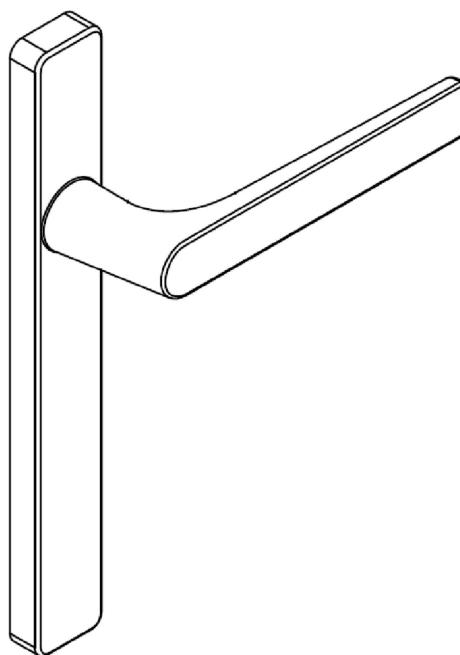
New

# FUHR

## NEW ACCESSORIES





**ACSZ1785F**



**ACSZ71788F**

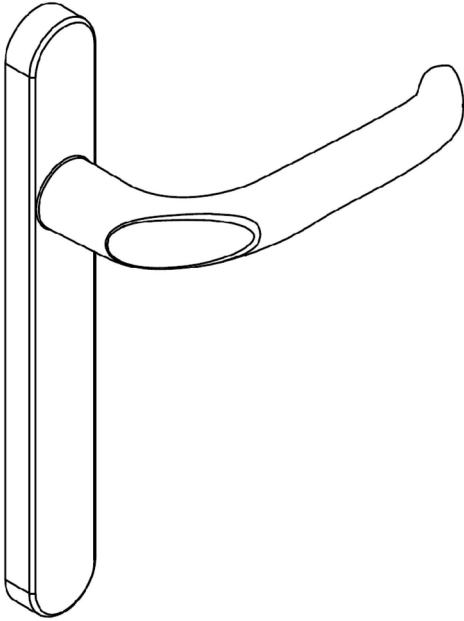
zie FU catalog / voir le FU catalogue / siehe FU Katalog / see FU catalog

NUMMER NUMERO NUMMER NUMBER	OMSCHRIJVING DESCRIPTION BESCHREIBUNG DESCRIPTION	PER PAR PRO PER
<b>ACSZ1785F</b>	<p><i>SECURITY</i> DEURKRUK <i>BINNEN</i> ZONDER CILINDEROPENING                      POIGNÉE DE PORTE <i>SECURITY INTERIEUR</i> SANS CIL.  <i>SECURITY</i> TÜRGRIFFE <i>INNEN</i> OHNE PROFILZYLINDERLOCH  <i>SECURITY</i> DOOR HANDLE <i>INTERIOR</i> WITHOUT CYLINDER                      M6 EDGE</p>	 1
<b>ACSZ1788F</b>	<p><i>SECURITY</i> DEURKRUK <i>BUITEN</i> ZONDER CILINDEROPENING                      POIGNÉE DE PORTE <i>SECURITY EXTERIEUR</i> SANS CIL.  <i>SECURITY</i> TÜRGRIFFE <i>AUSSEN</i> OHNE PROFILZYLINDERLOCH  <i>SECURITY</i> DOOR HANDLE <i>EXTERIOR</i> WITHOUT CYLINDER                      M6 EDGE</p>	 1

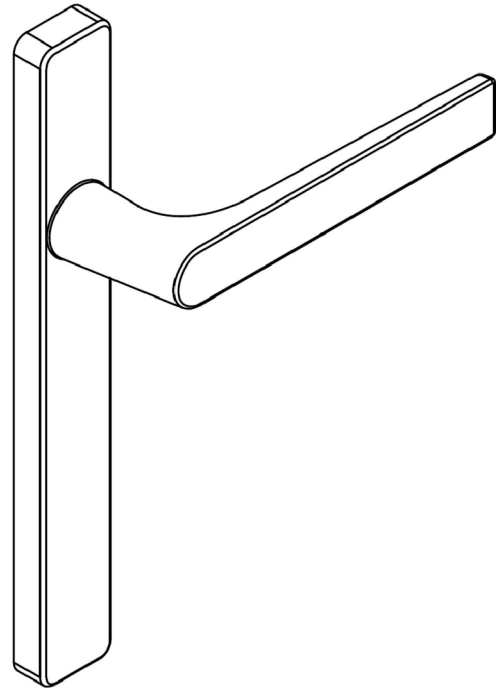
New

# SOBINCO

## NEW ACCESSORIES





ACSZ788



ACSZ1788

zie SZ catalog / voir le SZ catalogue / siehe SZ Katalog / see SZ catalog

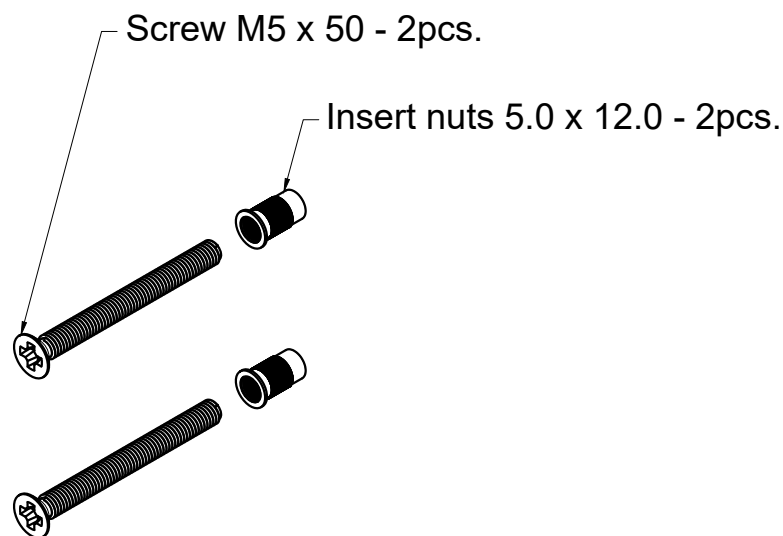
NUMMER NUMERO NUMMER NUMBER	OMSCHRIJVING DESCRIPTION BESCHREIBUNG DESCRIPTION		PER PAR PRO PER
ACSZ788	<i>SECURITY</i> DEURKRUK <i>BUITEN</i> ZONDER CILINDEROPENING POIGNÉE DE PORTE <i>SECURITY EXTERIEUR</i> SANS CIL. <i>SECURITY</i> TÜRGRIFFE <i>AUSSEN</i> OHNE PROFILZYLINDERLOCH <i>SECURITY</i> DOOR HANDLE <i>EXTERIOR</i> WITHOUT CYLINDER M6 HORIZON		1
ACSZ1788	<i>SECURITY</i> DEURKRUK <i>BUITEN</i> ZONDER CILINDEROPENING POIGNÉE DE PORTE <i>SECURITY EXTERIEUR</i> SANS CIL. <i>SECURITY</i> TÜRGRIFFE <i>AUSSEN</i> OHNE PROFILZYLINDERLOCH <i>SECURITY</i> DOOR HANDLE <i>EXTERIOR</i> WITHOUT CYLINDER M6 HORIZON		1

SZ\_NEW\_01

New

# SOBINCO

## NEW ACCESSORIES



HEFSCHUIFSLOTEN SERRURES SOULEVENT COULSSANT HEBESCHIEBESCHLÖSSER LIFT AND SLIDE LOCKS	
ACUG201	ACVG1277 (max 250 / 300kg)
ACUG202	ACVG1278 (max 250 / 300kg)
ACUG203	ACVG1279 (max 250 / 300kg)

EXT.	INT.			
	ACSZ(1)861	ACMX1075		ACMX926
	ACSZ(1)863		ACMX0040	

zie SZ catalog / voir le SZ catalogue / siehe SZ Katalog / see SZ catalog

NUMMER NUMERO NUMMER NUMBER	OMSCHRIJVING DESCRIPTION BESCHREIBUNG DESCRIPTION	PER PAR PRO PER
--------------------------------------	--	--------------------------

ACMX926

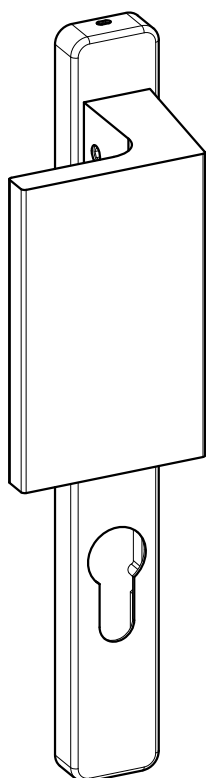
DRAADBUSSEN MET SCHROEVEN  
BAGUES FILETÉES AVEC VIS  
GEWINDEBUCHSEN MIT SCHRAUBEN  
INSERT NUTS WITH SCREWS  
M5 x 50MM

1

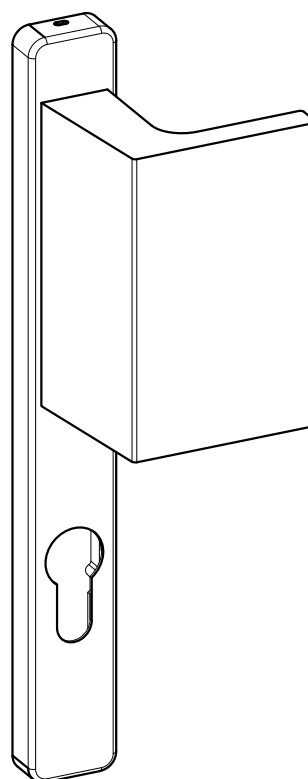
New

# SOBINCO

## NEW ACCESSORIES



ACSZ1777L



ACSZ1777R

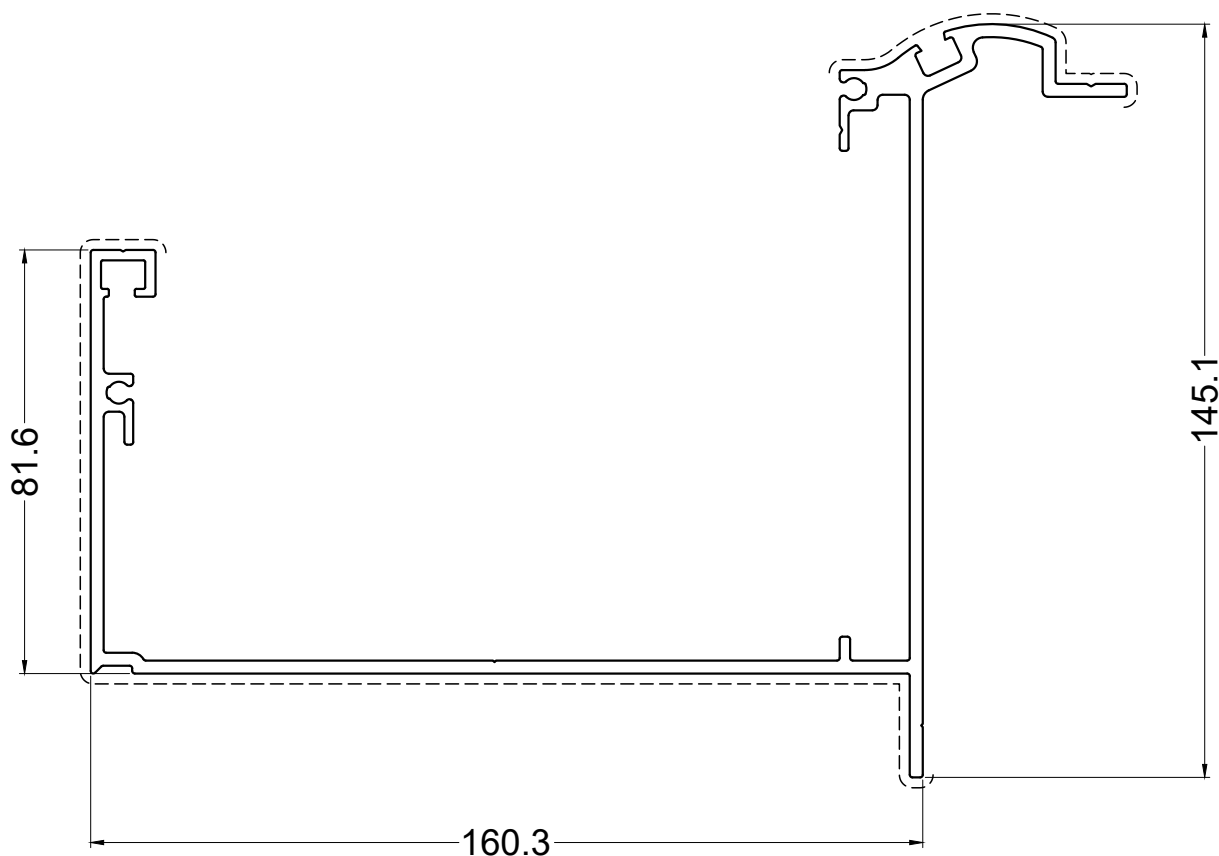
zie SZ catalog / voir le SZ catalogue / siehe SZ Katalog / see SZ catalog

NUMMER NUMERO NUMMER NUMBER	OMSCHRIJVING DESCRIPTION BESCHREIBUNG DESCRIPTION	PER PAR PRO PER
ACSZ1777L	VASTE EDGE DEURTREKKER <i>LINKS</i> BINNEN TIRANT DE PORTE EDGE <i>GAUCHE</i> INTERIEUR FESTE INNEN TURGRIFFE EDGE <i>LINKS</i> FIXED INTERNAL <i>LEFT</i> HAND EDGE DOOR PULL EDGE	1
ACSZ1777R	VASTE EDGE DEURTREKKER <i>RECHTS</i> BINNEN TIRANT DE PORTE EDGE <i>DROITE</i> INTERIEUR FESTE INNEN TURGRIFFE EDGE <i>RECHTS</i> FIXED INTERNAL <i>RIGHT</i> HAND EDGE DOOR PULL EDGE	1

New

# GARDEN VILLA

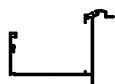
## NEW PROFILE



zie GV catalog / voir le GV catalogue / siehe GV Katalog / see GV catalog

NUMMER NUMERO NUMMER NUMBER	OMSCHRIJVING DESCRIPTION BESCHREIBUNG DESCRIPTION	PER PAR PRO PER
--------------------------------------	--	--------------------------

GV360



GOOT  
GOUTTIERE  
RINNE  
GUTTER

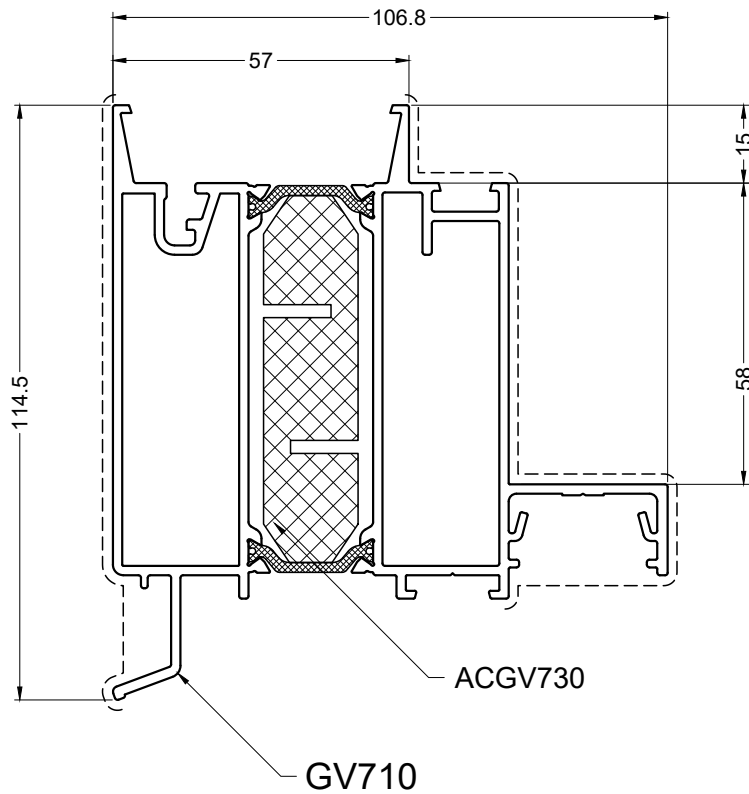
7.0

GV\_NEW\_01

New

# GARDEN VILLA

## NEW ACCESSORIES



zie GV catalogoog / voir le GV catalogue / siehe GV Katalog / see GV catalog

NUMMER NUMERO NUMMER NUMBER	OMSCHRIJVING DESCRIPTION BESCHREIBUNG DESCRIPTION	PER PAR PRO PER
--------------------------------------	--	--------------------------

ACGV730



ISOLEREND VULSTUK  
PIECE DE REMPLISSAGE ISOLEE  
ISOLIERENDES FUELLSTUECK  
INSULATING FILLING PIECE

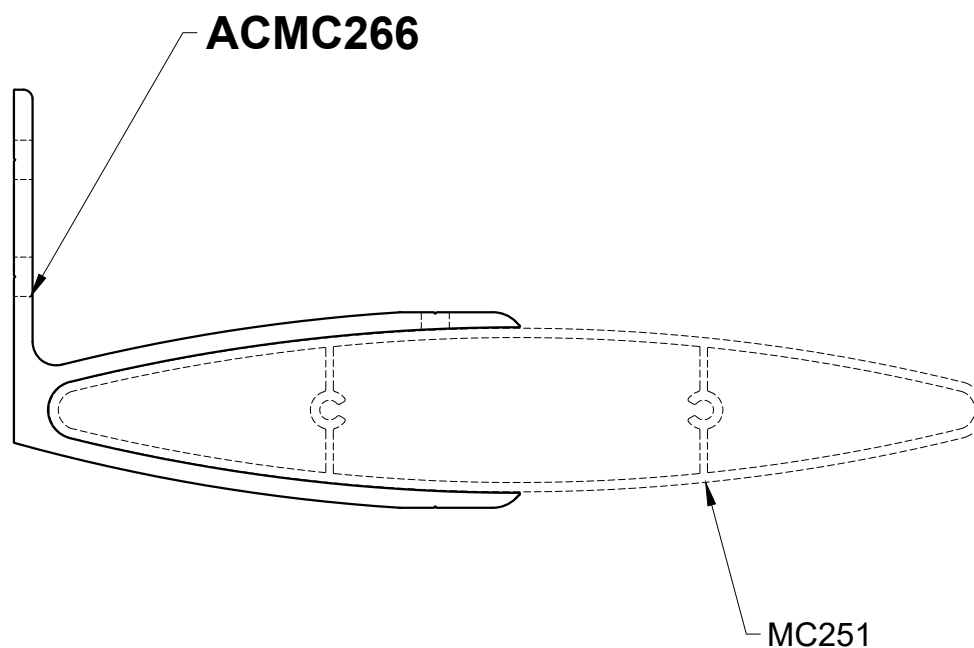
6

GV\_NEW\_02

New

# MC-Wall

## NEW ACCESSORIES



zie MC catalog / voir le MC catalogue / siehe MC Katalog / see MC catalog

NUMMER NUMERO NUMMER NUMBER	AFBEELDING IMAGE BILD PICTURE	OMSCHRIJVING DESCRIPTION BESCHREIBUNG DESCRIPTION	PER PAR PRO PER
ACMC266		BEUGEL VOOR MC251 SUPPORT POUR MC251 SUPPORT FUR MC251 SUPPORT FOR MC251 90°	1

MC\_NEW\_01

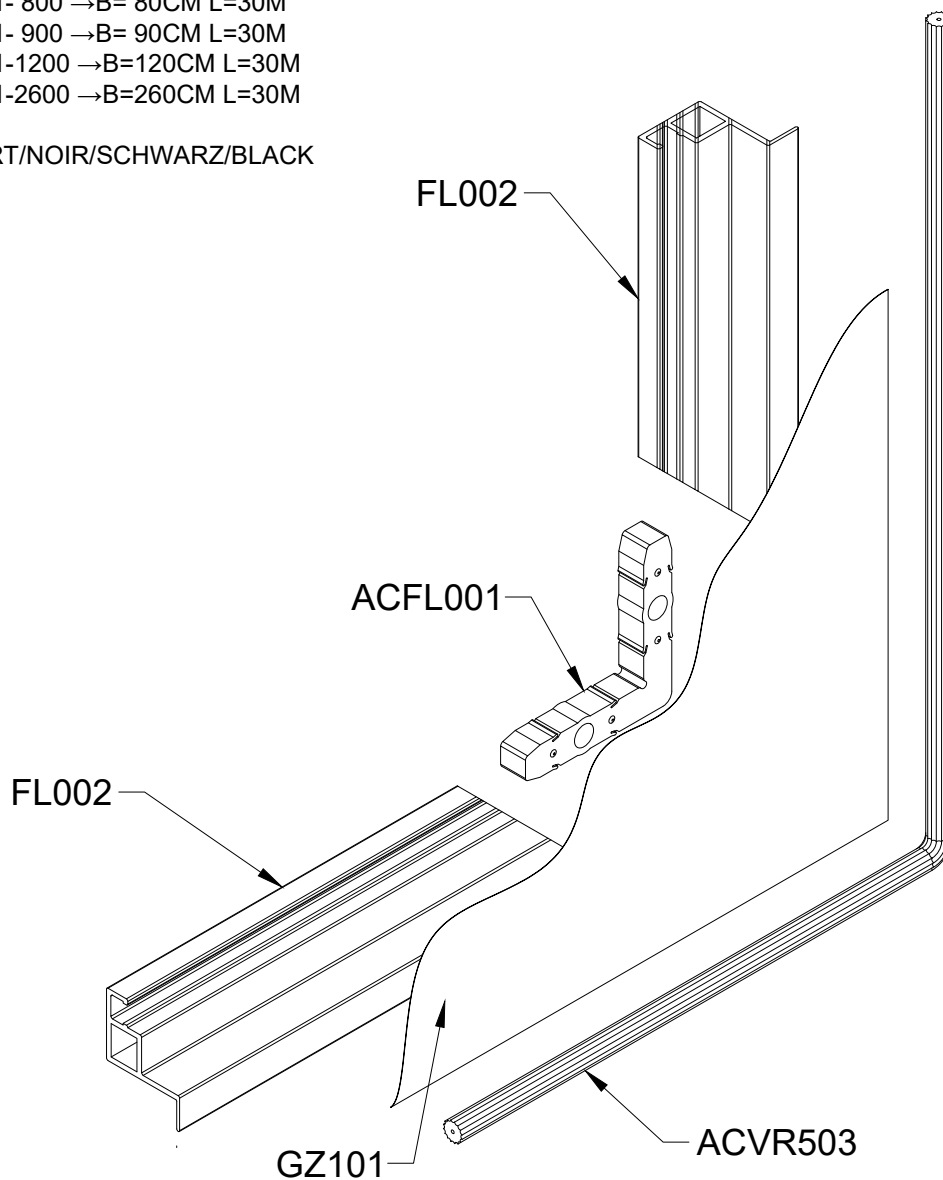
New

# FLYSCREEN

## NEW ACCESSORIES

GZ101- 800 →B= 80CM L=30M  
GZ101- 900 →B= 90CM L=30M  
GZ101-1200 →B=120CM L=30M  
GZ101-2600 →B=260CM L=30M

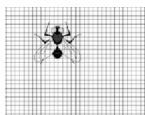
ZWART/NOIR/SCHWARZ/BLACK



zie F catalog / voir le F catalogue / siehe F Katalog / see F catalog

NUMMER NUMERO NUMMER NUMBER	OMSCHRIJVING DESCRIPTION BESCHREIBUNG DESCRIPTION	PER PAR PRO PER
--------------------------------------	--	--------------------------

GZ101



GOOT  
GOUTTIERE  
RINNE  
GUTTER

1

New

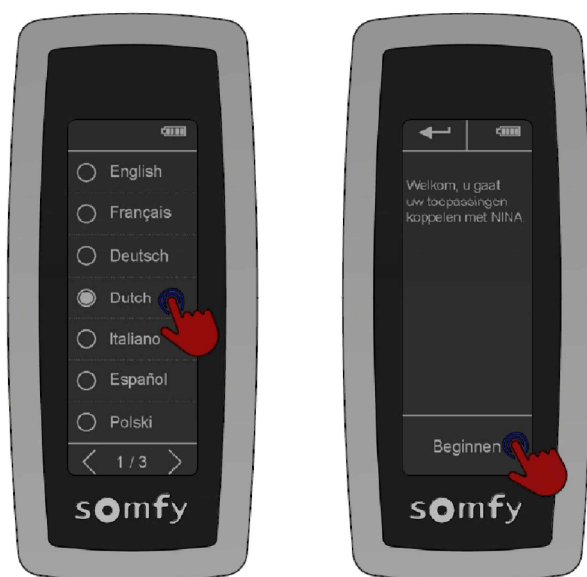
# SOMNIUM

## NEW SOMFY MANUALS

## SOMNIUM

SOMFY HANDLEIDINGEN  
NOTICES DE SOMFY  
SOMFY ANLEITUNGEN  
SOMFY MANUALS

### NINA IO-AFSTANDSBEDIENING ACSOM450



zie SOM catalog / voir le SOM catalogue / siehe SOM Katalog / see SOM catalog

NUMMER NUMERO NUMMER NUMBER	AFBEELDING IMAGE BILD PICTURE	OMSCHRIJVING DESCRIPTION BESCHREIBUNG DESCRIPTION	PER PAR PRO PER
--------------------------------------	--	--	--------------------------

ACSOM450

SOM\_NEW\_01



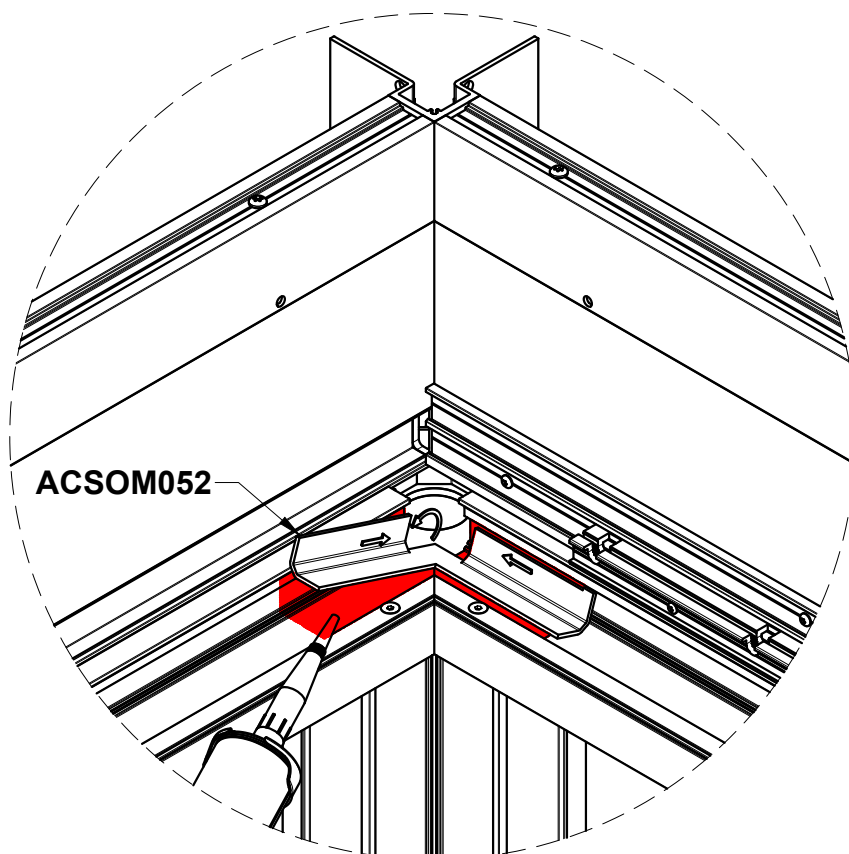
NINA TOUCHSCREEN AFSTANDSBEDIENING IO  
TÉLÉCOMMANDE NINA IO  
NINA TOUCH DISPLAY - STEUERUNG  
NINA TOUCHSCREEN CONTROL

1

New

# SOMNIUM

## NEW ACCESSORIES



zie SOM catalog / voir le SOM catalogue / siehe SOM Katalog / see SOM catalog

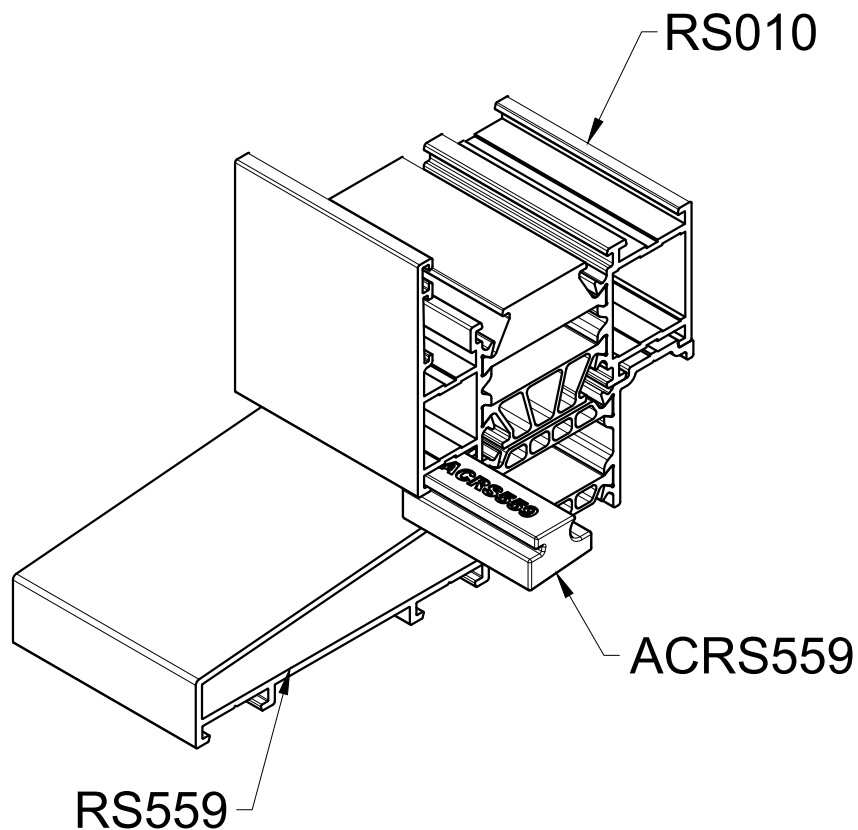
NUMMER NUMERO NUMMER NUMBER	AFBEELDING IMAGE BILD PICTURE	OMSCHRIJVING DESCRIPTION BESCHREIBUNG DESCRIPTION	PER PAR PRO PER
ACSOM052		KOPPELSTUK GOOT RACCORD GOUTTIERE VERBINDUNGSTEIL RINNE COUPLING GUTTER	1

SOM\_NEW\_02

New

# STAR75

## EXTRA INFO



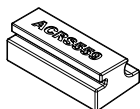
zie RS catalogoog / voir le RS catalogue / siehe RS Katalog / see RS catalog

NUMMER  
NUMERO  
NUMMER  
NUMBER

OMSCHRIJVING  
DESCRIPTION  
BESCHREIBUNG  
DESCRIPTION

PER  
PAR  
PRO  
PER

ACRS559



EINDSTUK DORPEL  
PIECE FINALE SEUIL  
ENDKAPPE UNTERPROFIL  
END PIECE UNDERPROFILE

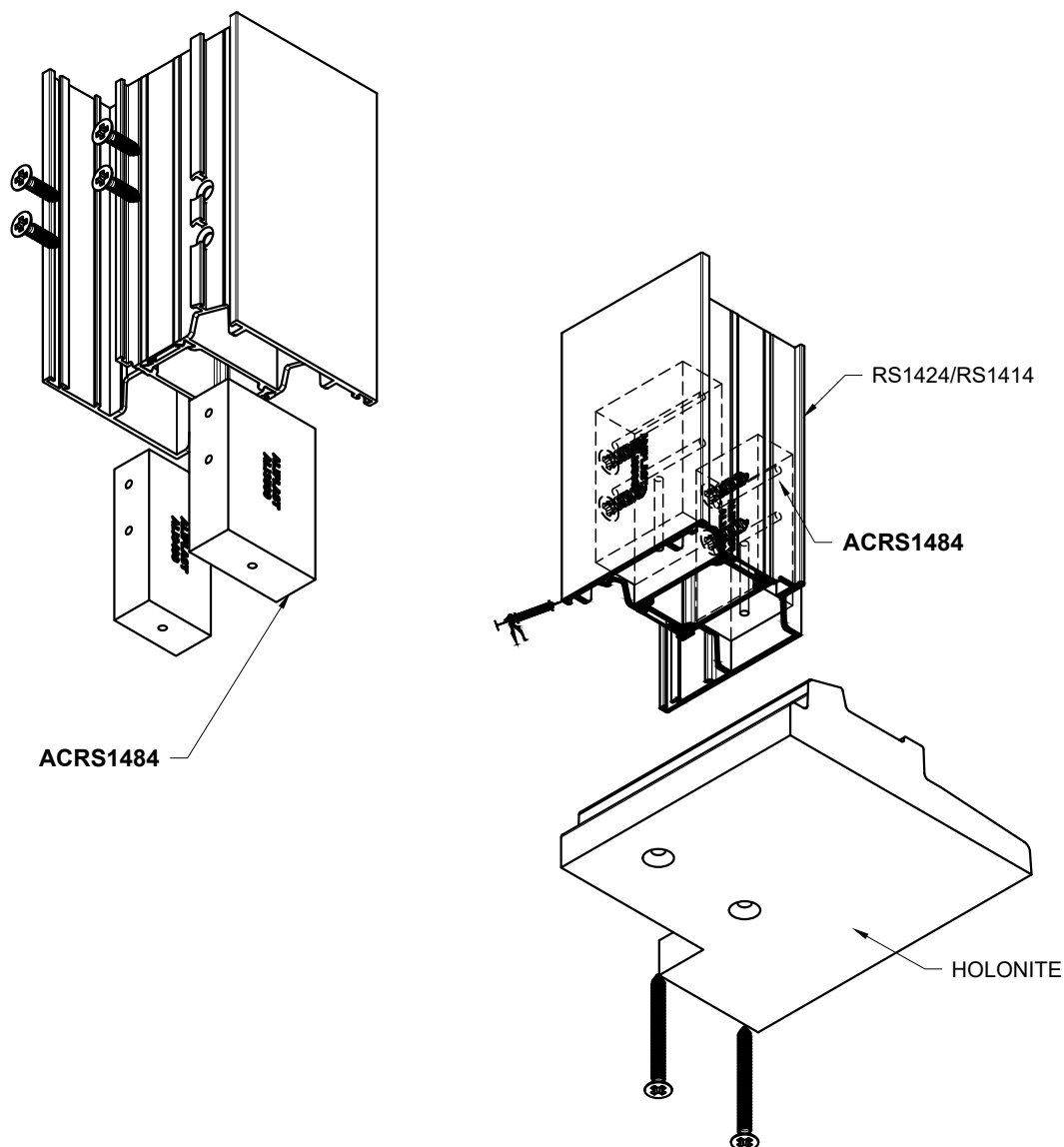
1

RS\_NEW\_01

New

# STAR75

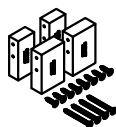
## NEW ACCESSORIES



zie RS catalogoog / voir le RS catalogue / siehe RS Katalog / see RS catalog

NUMMER NUMERO NUMMER NUMBER	OMSCHRIJVING DESCRIPTION BESCHREIBUNG DESCRIPTION	PER PAR PRO PER
--------------------------------------	--	--------------------------

ACRS1484



VERBINDINGSSTUKJES VOOR RS1424 MET HOLONITE DORPEL  
PIECES DE RACCORD POUR RS1424 AVEC SEUIL HOLONITE  
VERBINDER FÜR RS1424 MIT HOLONITE SCHWELLE  
CONNECTION PIECES FOR RS1424 WITH HOLONITE SILL

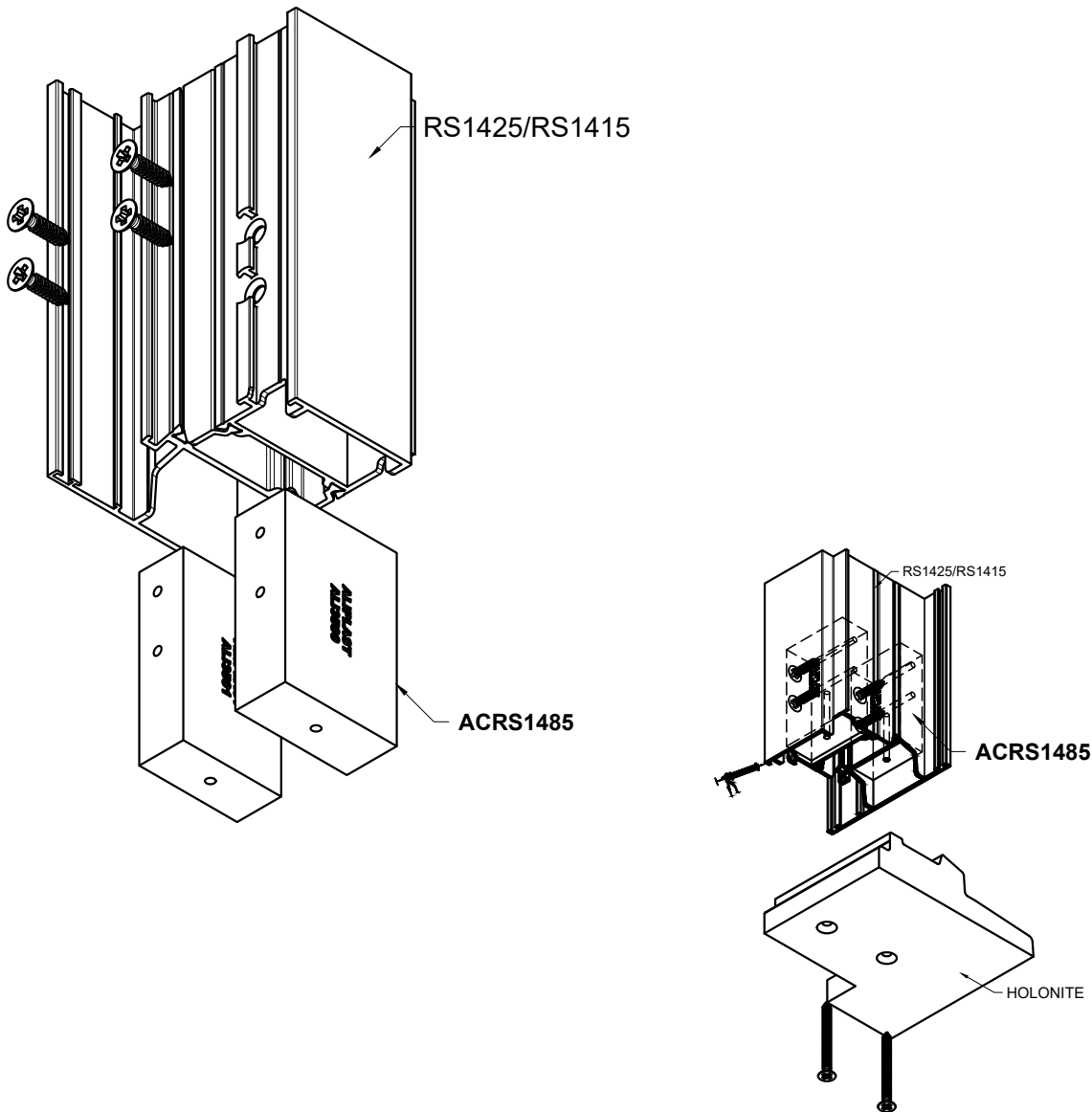
1

RS\_NEW\_02

New

# STAR75

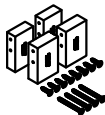
## NEW ACCESSORIES



zie RS catalogoog / voir le RS catalogue / siehe RS Katalog / see RS catalog

NUMMER NUMERO NUMMER NUMBER	OMSCHRIJVING DESCRIPTION BESCHREIBUNG DESCRIPTION	PER PAR PRO PER
--------------------------------------	--	--------------------------

**ACRS1485**



VERBINDINGSSTUKJES VOOR RS1425 MET HOLONITE DORPEL  
PIECES DE RACCORD POUR RS1425 AVEC SEUIL HOLONITE  
VERBINDER FÜR RS1425 MIT HOLONITE SCHWELLE  
CONNECTION PIECES FOR RS1425 WITH HOLONITE SILL

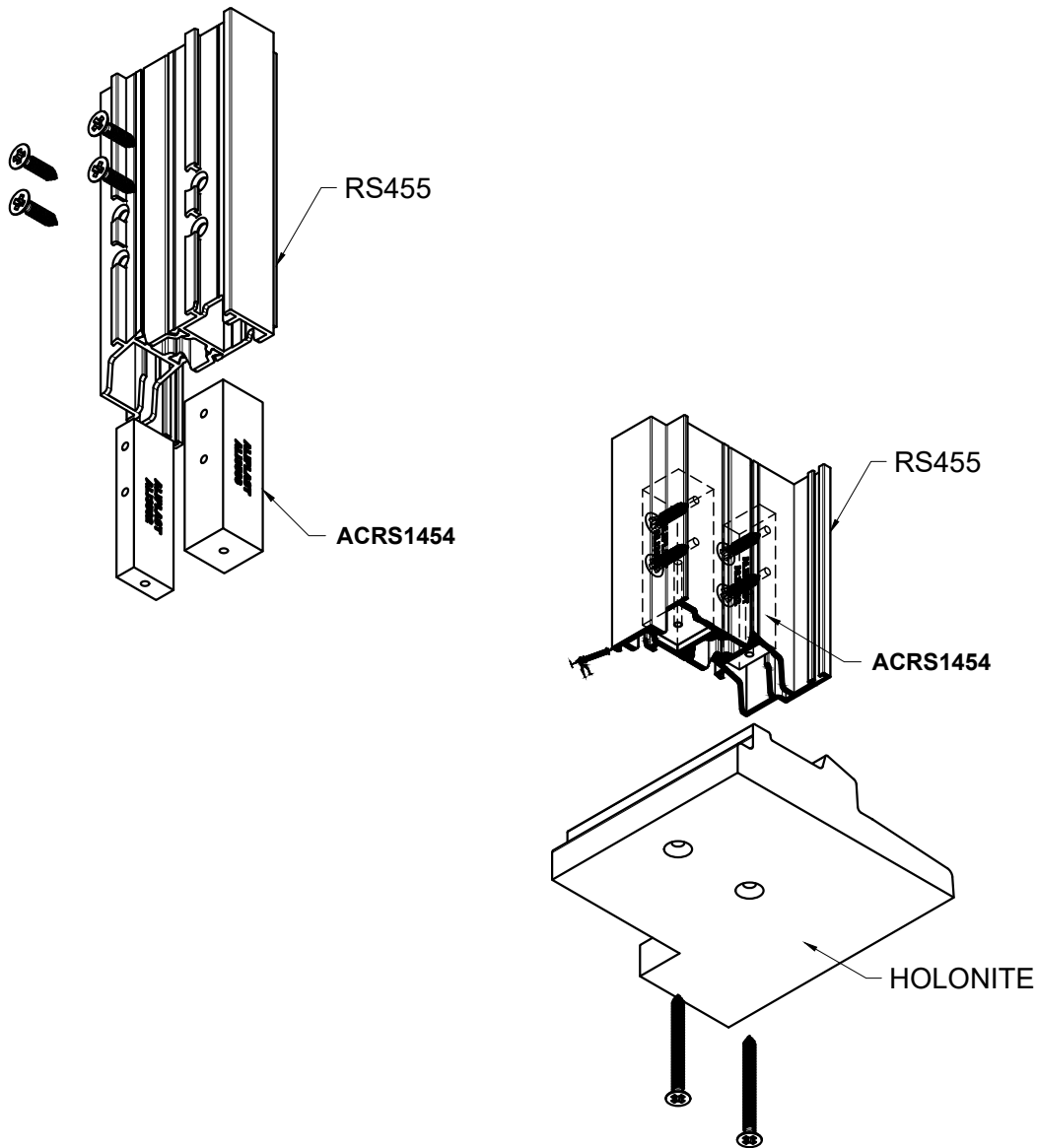
1

RS\_NEW\_03

New

# STAR75

## NEW ACCESSORIES



zie RS catalogoog / voir le RS catalogue / siehe RS Katalog / see RS catalog

NUMMER NUMERO NUMMER NUMBER	OMSCHRIJVING DESCRIPTION BESCHREIBUNG DESCRIPTION	PER PAR PRO PER
--------------------------------------	--	--------------------------

ACRS1454



VERBINDINGSSTUKJES VOOR RS454 EN RS455 MET HOLONITE DORPEL  
PIECES DE RACCORD POUR RS454 ET RS455 AVEC SEUIL HOLONITE  
VERBINDER FÜR RS454 UND RS455 MIT HOLONITE SCHWELLE  
CONNECTION PIECES FOR RS454 AND RS455 WITH HOLONITE SILL

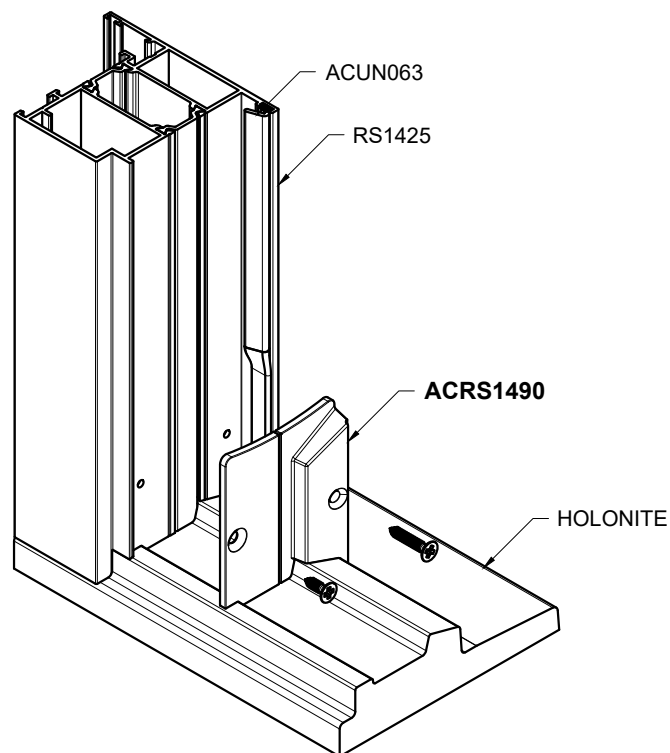
1

RS\_NEW\_04

New

# STAR75

## NEW ACCESSORIES



zie RS catalogoog / voir le RS catalogue / siehe RS Katalog / see RS catalog

NUMMER  
NUMERO  
NUMMER  
NUMBER

OMSCHRIJVING  
DESCRIPTION  
BESCHREIBUNG  
DESCRIPTION

PER  
PAR  
PRO  
PER

ACRS1490



SLUITSTUK VOOR VLAKKE DEUR MET HOLONITE DORPEL  
PIECE D'ETANCHEITE POUR PORTE PLAT AVEC SEUIL HOLONITE  
TURABSCHLUSS FUR FLACHE TUR MIT HOLONITE SCHWELLE  
CLOSER SECTION FOR FLAT DOOR WITH HOLONITE TRESHOLD

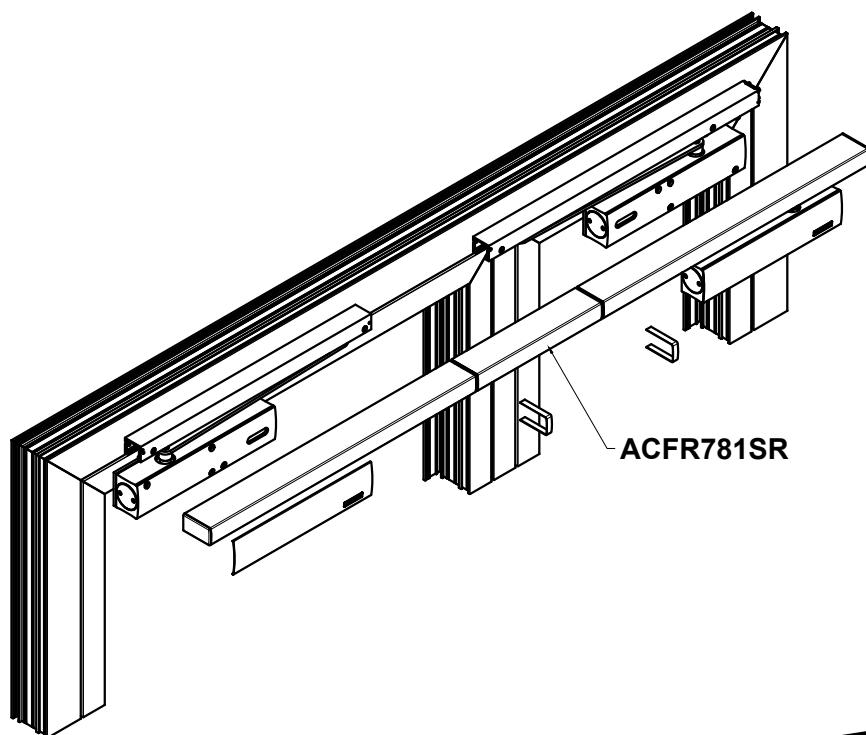
1

RS\_NEW\_05

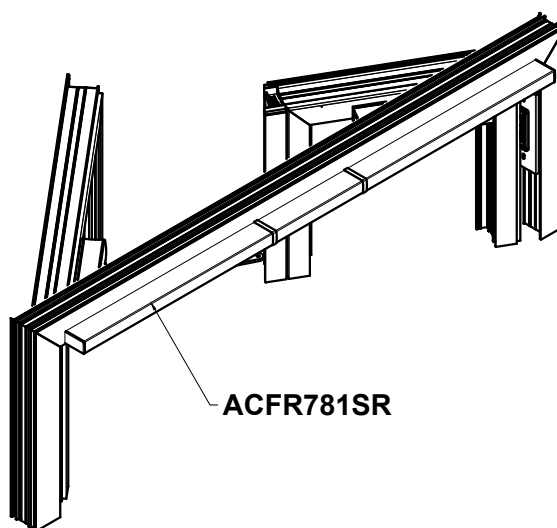
New

# STAR75

## NEW ACCESSORIES



ACFR781SR



ACFR781SR

zie RS catalog / voir le RS catalogue / siehe RS Katalog / see RS catalog

NUMMER NUMERO NUMMER NUMBER	AFBEELDING IMAGE BILD PICTURE	OMSCHRIJVING DESCRIPTION BESCHREIBUNG DESCRIPTION	PER PAR PRO PER
--------------------------------------	--	--	--------------------------

**ACFR781SR**



ISM GLIJRAIL MET SLUITVOLGORDEREGELING (NIETSCHARNIERZIJD)  
BANDEAU ISM AVEC SÉLECTEUR DE FERMETURE (COTÉ OPPOSÉ É PAUMELLES)  
ISM-GLEITSCHIENE INTEGRIERTERSCHLIEßFOLGEREGELUNG (BANDGEGENSEITE)  
ISM GUIDE RAIL WITH CLOSING SEQUENCE REGULATOR (NON HINGE SIDE)  
SILVER

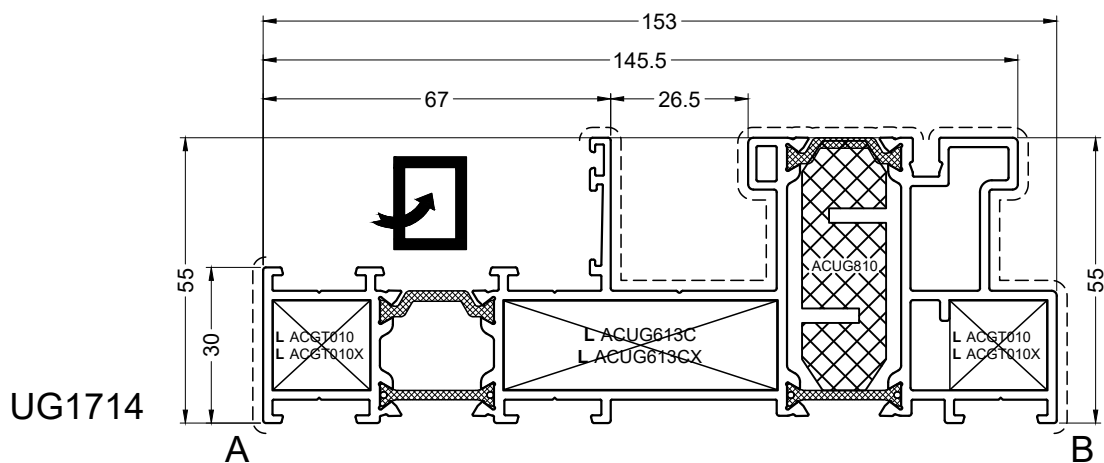
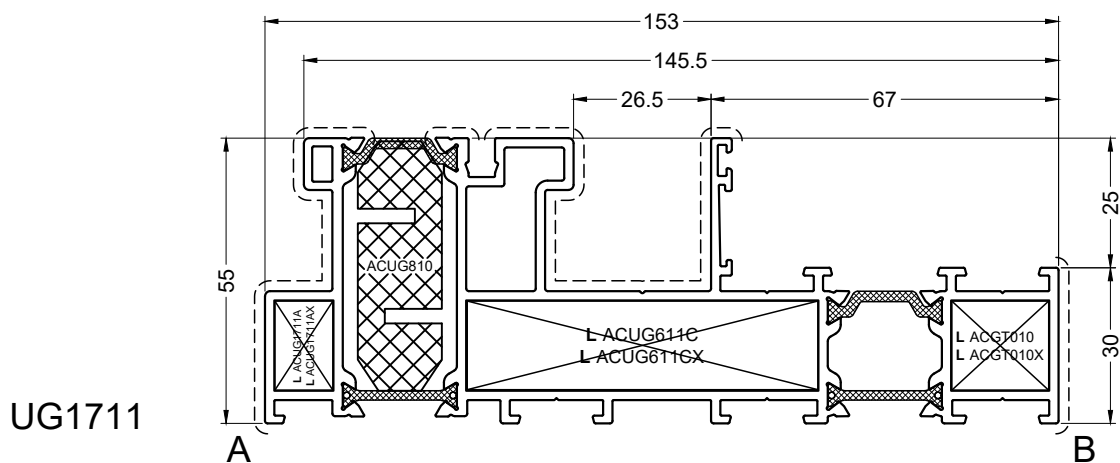
1

RS\_NEW\_06

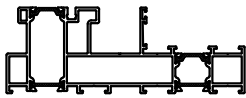
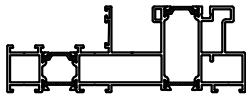


New

# UG

## NEW PROFILE / ACCESSORIES



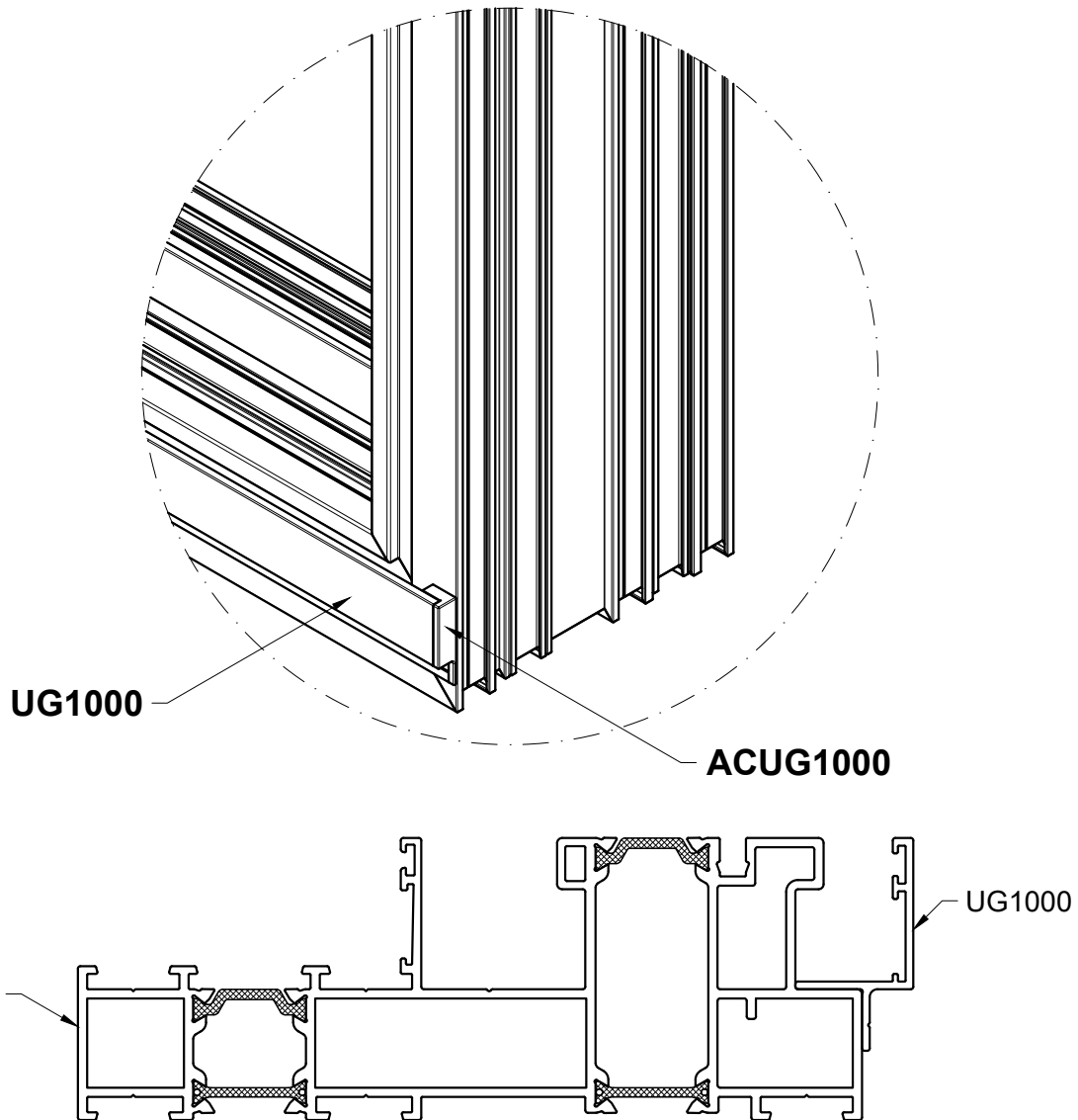
zie UG catalog / voir le UG catalogue / siehe UG Katalog / see UG catalog

NUMMER NUMERO NUMBER NUMBER	OMSCHRIJVING DESCRIPTION BESCHREIBUNG DESCRIPTION	PER PAR PRO PER
UG1711	 BUITENKADER (153 MM) DORMANT (153 MM) BLENDRAHMEN (153 MM) OUTER FRAME (153 MM) MONORAIL	7.0
UG1714	 BUITENKADER BUITENBEGLAZING DORMANT VITRAGE EXTERIEUR BLENDRAHMEN AUSSENVERGLASUNG OUTER FRAME OUTER GLAZING MONORAI	7.0
ACUG1711A	 PERSHOEK VOOR BUITENSTE KAMER CLAME A PRESSER POUR LA CHAMBRE EXT. ECKVERBINDER FÜR AUSSENKAMMER CLAMPING CORNER FOR OUTER CHAMBER	24
ACUG1711AX	 HOEKVERBINDER EQUERRE ECKVERBINDER CORNER CLEAT	24



New

# UG

## NEW PROFILE / ACCESSORIES



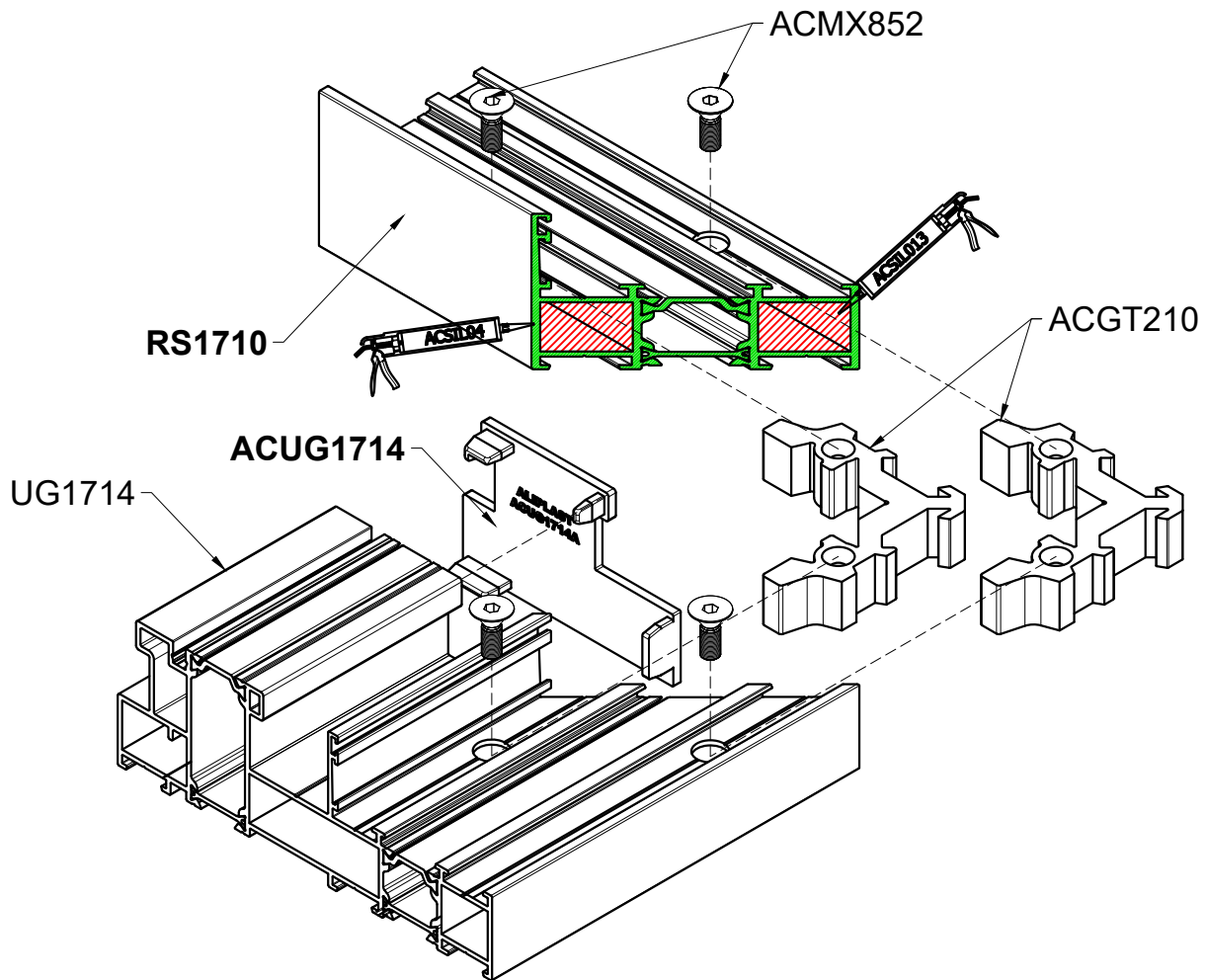
zie UG catalog / voir le UG catalogue / siehe UG Katalog / see UG catalog

NUMMER NUMERO NUMBER	AFBEELDING IMAGE BILD PICTURE	OMSCHRIJVING DESCRIPTION BESCHREIBUNG DESCRIPTION	PER PAR PRO PER
UG1000		AANSLUITINGSPROFIEL VLOER PROFILE DE RACCORDEMENT AU SOL WANDANSCHLUSSPROFIL UNTEN CONNECTION PROFILE FLOOR	7.0
ACUG1000		EINDSTUK AANSLUITINGSPROFIEL VLOER PIECE FINALE PROFILE DE RACCORDEMENT AU SOL ENDKAPPE WANDANSCHLUSSPROFIL UNTEN END PART CONNECTION PROFILE FLOOR	10

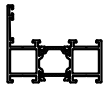
New

UG

NEW PROFILE / ACCESSORIES



zie UG catalog / voir le UG catalogue / siehe UG Katalog / see UG catalog

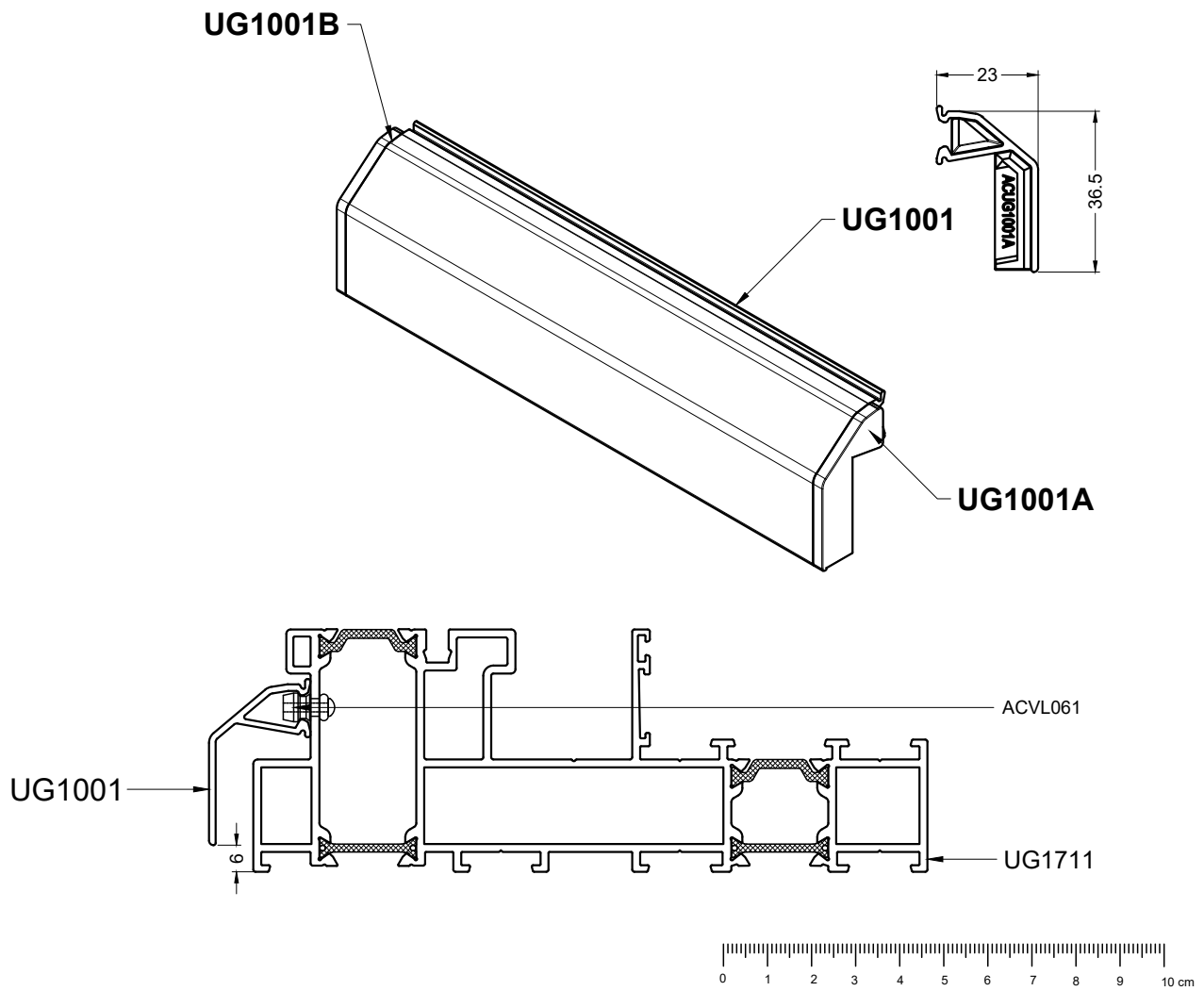
NUMMER NUMERO NUMBER	AFBEELDING IMAGE BILD PICTURE	OMSCHRIJVING DESCRIPTION BESCHREIBUNG DESCRIPTION	PER PAR PRO PER
RS1710		KOZIJN 67MM DORMANT 67MM RAHMENPROFIL 67MM OUTER FRAME 67MM	7.0
ACUG1714		DICHTINGSSTUK UG 90° KOPPELING PIÈCE D'ÉTANCHÉITÉ UG 90° COUPLAGE DICHTUNGSSTÜCK UG 90° KUPPLUNG SEALING PIECE UG 90° COUPLING	24

UG\_NEW\_03

New

UG

NEW PROFILE / ACCESSORIES



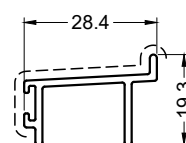
NUMMER NUMERO NUMMER NUMBER	AFBEELDING IMAGE BILD PICTURE	OMSCHRIJVING DESCRIPTION BESCHREIBUNG DESCRIPTION	PER PAR PRO PER
UG1001		WATERSLAG REJET D'EAU REGENABWEISEN DRIP EDGE <b>✘ NOT YET AVAILABLE</b>	7.0
ACUG1001		EINDSTUK VOOR UG1001 PIECE FINALE PROFILE POUR UG1001 ENDKAPPE FÜR UG1001 END PART FOR UG1001 <b>✘ NOT YET AVAILABLE</b>	10

UG\_NEW\_04

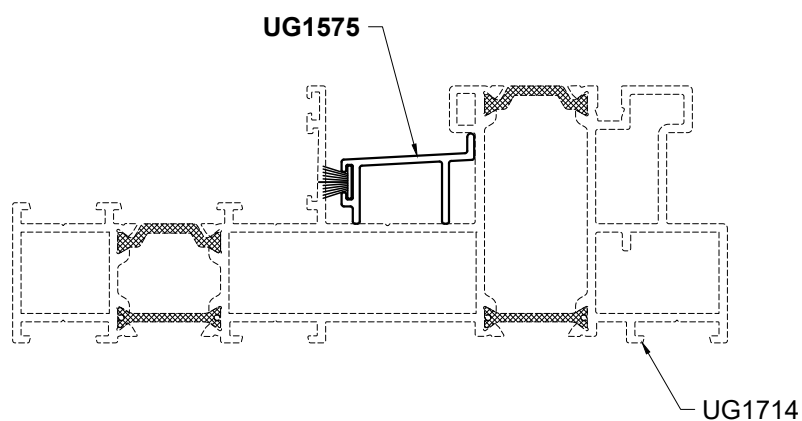
New

# UG

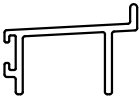
## NEW PROFILE / ACCESSORIES



UG1575



zie UG catalog / voir le UG catalogue / siehe UG Katalog / see UG catalog

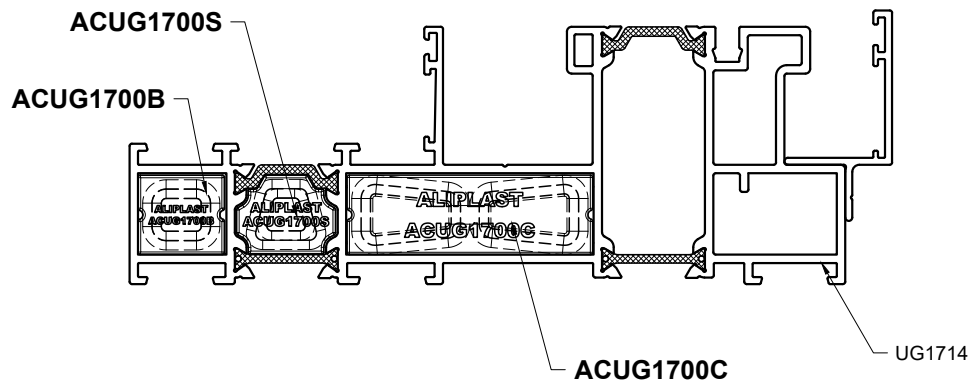
NUMMER NUMERO NUMMER NUMBER	AFBEELDING IMAGE BILD PICTURE	OMSCHRIJVING DESCRIPTION BESCHREIBUNG DESCRIPTION	PER PAR PRO PER
UG1575		AFDEKPROFIEL PROFILE DE RECOUVREMENT ABDECKPROFIL COVERING PROFILE MONORAIL	7.0

UG\_NEW\_05

New

UG

NEW PROFILE / ACCESSORIES



zie UG catalog / voir le UG catalogue / siehe UG Katalog / see UG catalog

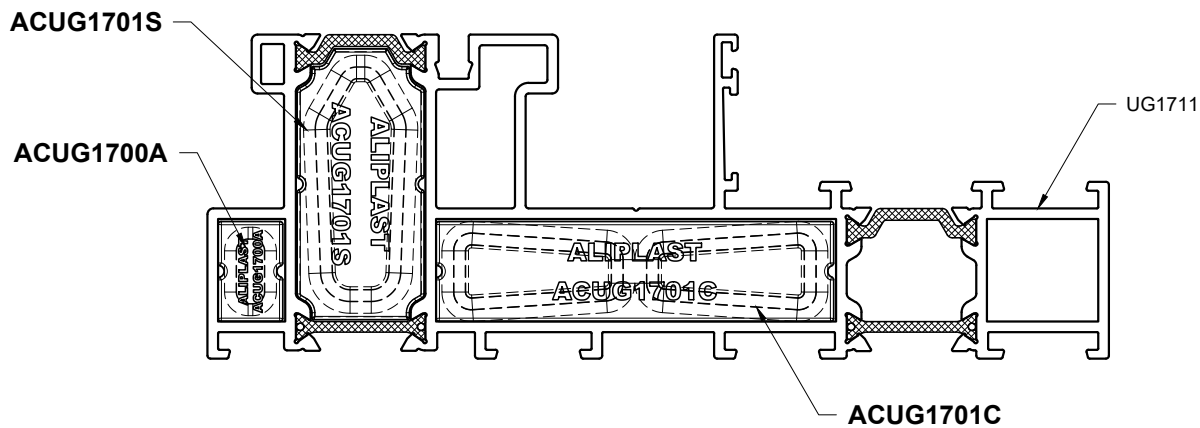
NUMMER NUMERO NUMMER NUMBER	AFBEELDING IMAGE BILD PICTURE	OMSCHRIJVING DESCRIPTION BESCHREIBUNG DESCRIPTION	PER PAR PRO PER
ACUG1700B		COMPARTENTERINGSSTUK PIÈCE DE COMPARTIMENTAGE KOMPARTIMENTIERUNGSSTÜCK COMPARTMENTATION PIECE	10
ACUG1700S		COMPARTENTERINGSSTUK PIÈCE DE COMPARTIMENTAGE KOMPARTIMENTIERUNGSSTÜCK COMPARTMENTATION PIECE	10
ACUG1700C		COMPARTENTERINGSSTUK PIÈCE DE COMPARTIMENTAGE KOMPARTIMENTIERUNGSSTÜCK COMPARTMENTATION PIECE	10

UG\_NEW\_06

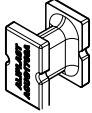
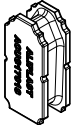
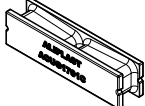
New

UG

NEW PROFILE / ACCESSORIES



zie UG catalog / voir le UG catalogue / siehe UG Katalog / see UG catalog

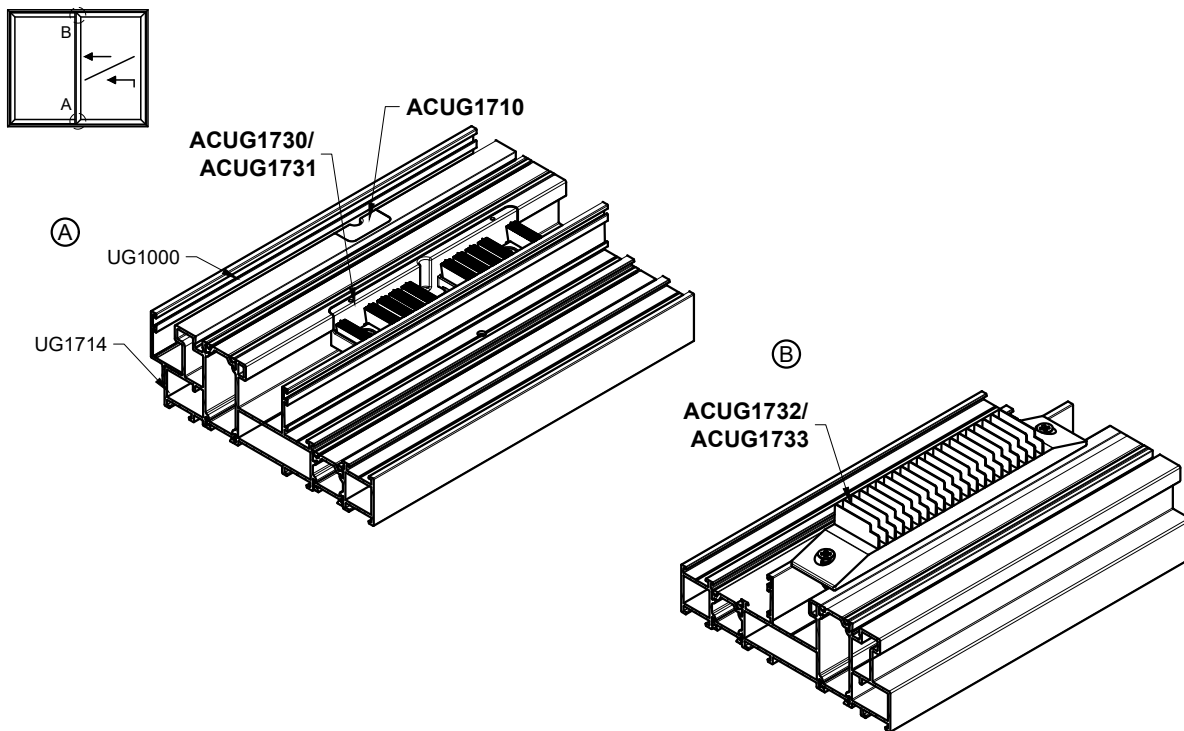
NUMMER NUMERO NUMMER NUMBER	AFBEELDING IMAGE BILD PICTURE	OMSCHRIJVING DESCRIPTION BESCHREIBUNG DESCRIPTION	PER PAR PRO PER
ACUG1700A		COMPARTENTERINGSSTUK PIÈCE DE COMPARTIMENTAGE KOMPARTIMENTIERUNGSTÜCK COMPARTIMENTATION PIECE	10
ACUG1701S		COMPARTENTERINGSSTUK PIÈCE DE COMPARTIMENTAGE KOMPARTIMENTIERUNGSTÜCK COMPARTIMENTATION PIECE	10
ACUG1701C		COMPARTENTERINGSSTUK PIÈCE DE COMPARTIMENTAGE KOMPARTIMENTIERUNGSTÜCK COMPARTIMENTATION PIECE	10

UG\_NEW\_07

New

# UG

## NEW PROFILE / ACCESSORIES



UG1711/UG1714

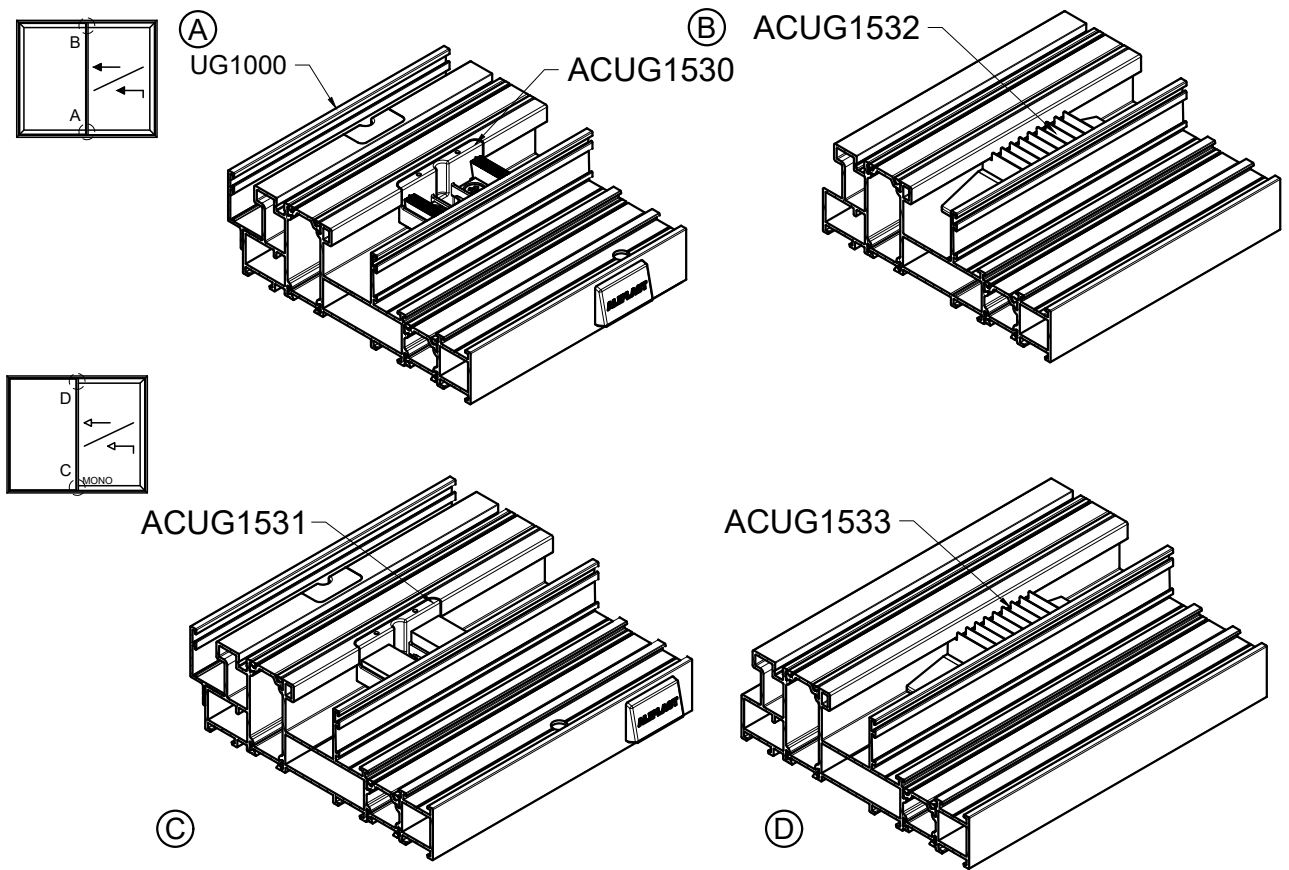
zie UG catalog / voir le UG catalogue / siehe UG Katalog / see UG catalog

NUMMER NUMERO NUMMER NUMBER	AFBEELDING IMAGE BILD PICTURE	OMSCHRIJVING DESCRIPTION BESCHREIBUNG DESCRIPTION	PER PAR PRO PER
ACUG1730		CENTRALE AFDICHTING FERMETURE CENTRAL MITTELDICHTUNG CENTRAL CLOSER MONORAIL	1
ACUG1731		CENTRALE AFDICHTING HEFSCHUIF FERMETURE CENTRAL SOULEVANT COULISSANT MITTELDICHTUNG HEBESCHIEBE CENTRAL CLOSER LIFT AND SLIDE MONORAIL	1
ACUG1710		CONDENSATIE AFWATERING PIECE DU DRAINAGE DE LA CONDENSATION KONDENSWASSERABLEITUNGSTEIL CONDENSATION DRAINAGE PIECE	1
ACUG1732		CENTRALE AFDICHTING BOVEN FERMETURE CENTRAL DESSUS MITTELDICHTUNG OBEN CENTRAL CLOSER UPPER MONORAIL	1
ACUG1733		CENTRALE AFDICHTING HEFSCHUIF BOVEN FERMETURE CENTRAL SOULEVANT-COULISSANTDESSUS MITTELDICHTUNG HEBESCHIEBEBOVEN CENTRAL CLOSER LIFT AND SLIDE UPPER MONORAIL	1

New

# UG

## NEW PROFILE / ACCESSORIES



MAXlight  
UG1711/UG1714

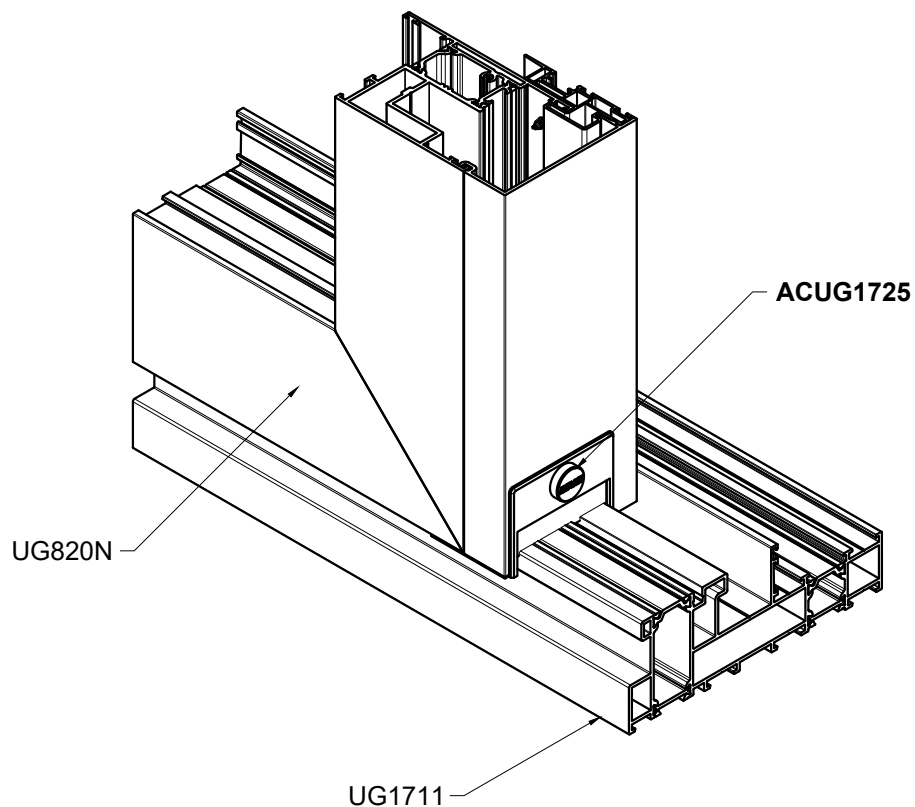
zie UG catalog / voir le UG catalogue / siehe UG Katalog / see UG catalog

NUMMER NUMERO NUMMER NUMBER	AFBEELDING IMAGE BILD PICTURE	OMSCHRIJVING DESCRIPTION BESCHREIBUNG DESCRIPTION	PER PAR PRO PER
ACUG1530		CENTRALE AFDICHTING FERMETURE CENTRAL MITTELDICHTUNG CENTRAL CLOSER MONORAIL MAXLIGHT	1
ACUG1531		CENTRALE AFDICHTING FERMETURE CENTRAL MITTELDICHTUNG CENTRAL CLOSER MONORAIL HEFSCHUIF MAXLIGHT	1
ACUG1532		CENTRALE AFDICHTINGT FERMETURE CENTRAL MITTELDICHTUNG CENTRAL CLOSER MONORAIL MAXLIGHT BOVEN	1
ACUG1533		CENTRALE AFDICHTINGT FERMETURE CENTRAL MITTELDICHTUNG CENTRAL CLOSER MONORAIL MAXLIGHT BOVEN HEFSCHUIF	1

New

# UG

## NEW PROFILE / ACCESSORIES



zie UG catalogoog / voir le UG catalogue / siehe UG Katalog / see UG catalog

NUMMER NUMERO NUMBER NUMBER	AFBEELDING IMAGE BILD PICTURE	OMSCHRIJVING DESCRIPTION BESCHREIBUNG DESCRIPTION	PER PAR PRO PER
--------------------------------------	--	--	--------------------------

ACUG1725



SLUITSTUK MIDDENSTIJL  
GACHE LIAISON CENTRALE  
SCHLISSSTÜCK STULPPROFIL  
LOCK PLATE MEETING STYLE

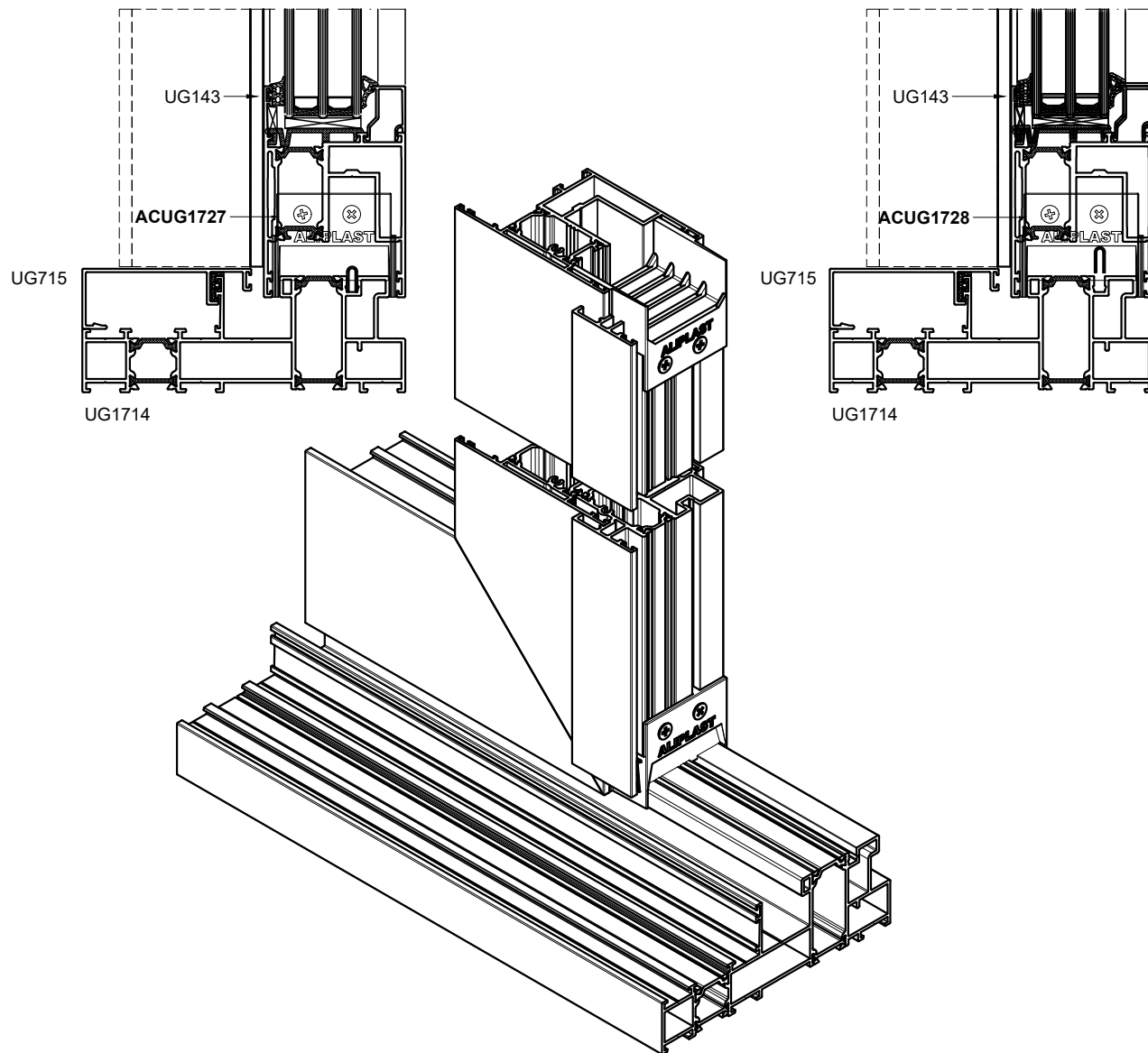
1

UG\_NEW\_10

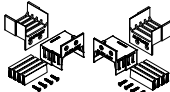
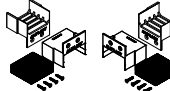
New

# UG

## NEW PROFILE / ACCESSORIES



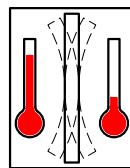
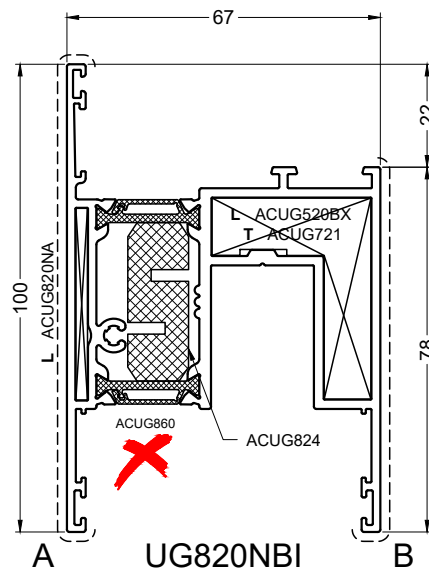
zie UG catalog / voir le UG catalogue / siehe UG Katalog / see UG catalog

NUMMER NUMERO NUMMER NUMBER	AFBEELDING IMAGE BILD PICTURE	OMSCHRIJVING DESCRIPTION BESCHREIBUNG DESCRIPTION	PER PAR PRO PER
ACUG1727L/R		EINDSTUKKEN VOOR MIDDENSTIJL LINKS/RECHTS PIECES FINALES POUR LIAISON CENTRALE GAUCHE/DROITE DICHTUNGSSTUECKEN FUR STULPPROFIL LINKS/RECHTS SEALING PIECES FOR MEETING STYLE LEFT/RIGHT	1
ACUG1728L/R		EINDSTUKKEN VOOR MIDDENSTIJL HEFSCHUIF LINKS/RECHTS PIECES FINALES POUR LIAISON CENTRALE SOULEVANT COULISSANT GAUCHE/DROITE DICHTUNGSSTUECKEN FUR STULPPROFIL HEBESCHIEBE LINKS/RECHTS SEALING PIECES FOR MEETING STYLE LIFT AND SLIDE LEFT/RIGHT	1

New

# UG

## NEW PROFILE / ACCESSORIES



zie UG catalog / voir le UG catalogue / siehe UG Katalog / see UG catalog

NUMMER NUMERO NUMMER NUMBER	AFBEELDING IMAGE BILD PICTURE	OMSCHRIJVING DESCRIPTION BESCHREIBUNG DESCRIPTION	PER PAR PRO PER
--------------------------------------	--	--	--------------------------

ACUG824



ISOLERENDE STRIP UG820NBI  
COUVRE-JOINT ISOLANT UG820NBI  
ISOLIERSTREIFEN UG820NBI  
INSULATING STRIP UG820NBI  
L = 1 M

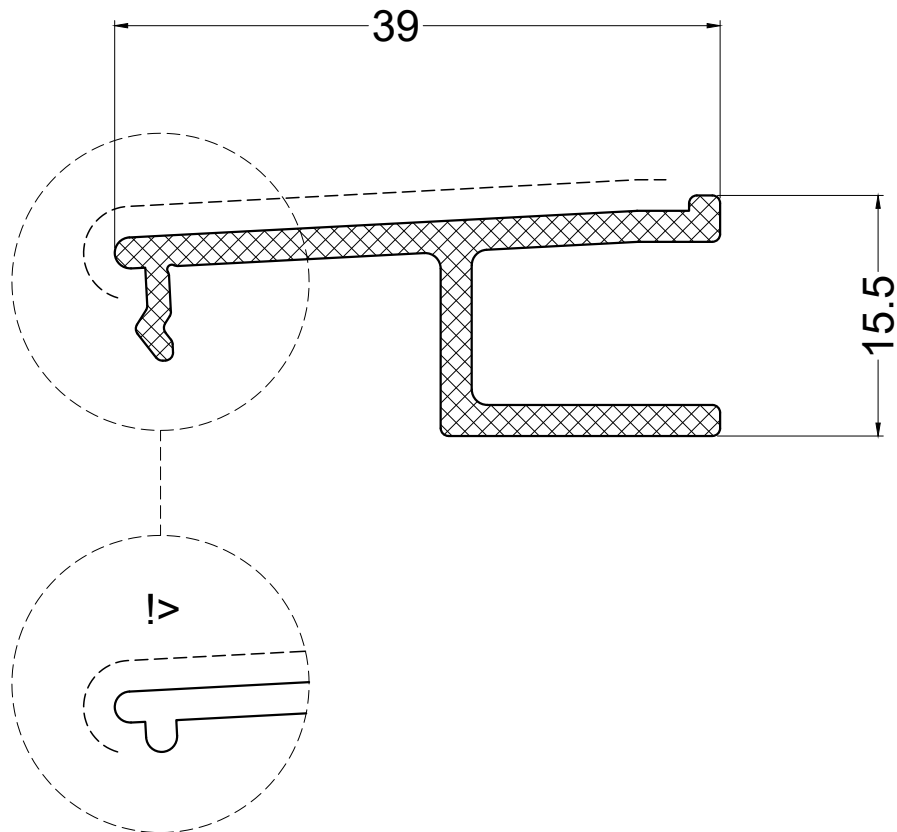
22

UG\_NEW\_12

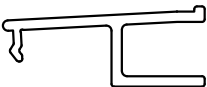
Improvement

# VG500

NEW PROFILE

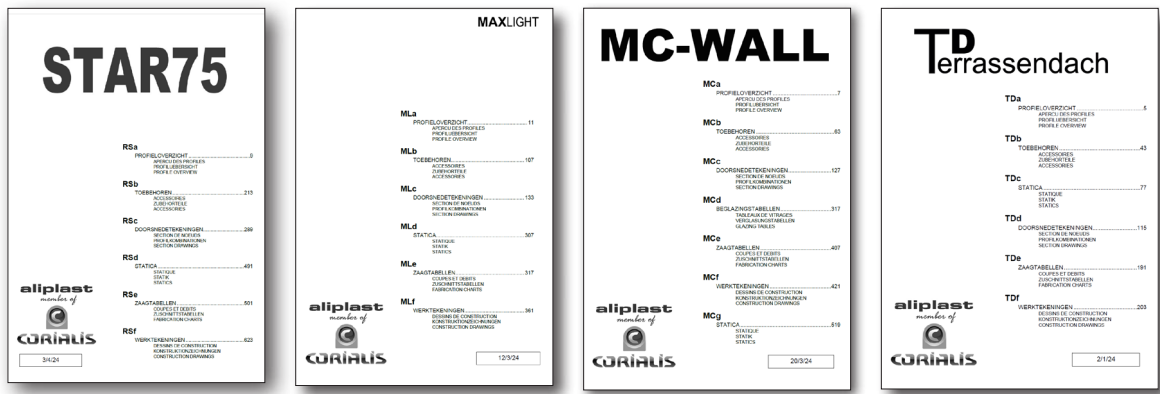


zie VG500N catalog / voir le VG500N catalogue / siehe VG500N Katalog / see VG500N catalog

NUMMER NUMERO NUMMER NUMBER	OMSCHRIJVING DESCRIPTION BESCHREIBUNG DESCRIPTION	PER PAR PRO PER
VG575	 AFDEKPROFIEL UG050 PROFILE DE RECOUVREMENT UG050 ABDECKPROFIL UG050 COVERING PROFILE UG050	1

VG500N\_NEW\_01

# Update catalogues



Following catalogues were updated in the past months:

catalogue	date
Greenslide	3/01/2025
MC-Wall	8/01/2025
Flyscreen	13/01/2025
Maxlight	14/01/2025
IDA	27/01/2025
Greenslide	30/01/2025
Maxim Line	3/02/2025
Glass Glide	13/02/2025
VG500N	13/02/2025
Econolinie	14/02/2025
VR2000	24/02/2025
Fapim	24/02/2025
Somnium	03/03/2025
Visoline	4/03/2025
SZ - Sobinco deurbeslag	4/03/2025
Garden Villa	4/03/2025
Futural	11/03/2025
Ultraglide	19/03/2025
Star90	20/03/2025
Fapim	20/03/2025
VR600	24/03/2025
VR700	24/03/2025
Star75	28/03/2025

# Contacts

## Belgium & Luxembourg

### Sales, Projects & Marketing



**Jourik Duwez**  
Sales Manager BELUX  
T. +32 496 99 20 65  
jourik.duwez@aliplast.com



**Jeroen Dierick**  
District Manager  
Oost- & West-Vlaanderen  
T. +32 473 70 87 10  
jeroen.dierick@aliplast.com



**Jurgen De Wulf**  
District Manager  
Antwerpen/Limburg  
T. +32 477 34 77 81  
jurgen.de.wulf@aliplast.com



**Mathews Vermeulen**  
District & Project  
Manager Wallonië & LU  
T. +32 497 05 21 38  
mathews.vermeulen@aliplast.com



**Els Uvyn**  
Project Manager  
T. +32 491 90 32 80  
els.uvyn@aliplast.com



**Alexander Morel**  
Project Support Manager  
T. +32 476 90 17 21  
alexander.morel@aliplast.com



**Thibaut Landuyt**  
Project Adviseur  
T. +32 490 65 99 70  
thibaut.landuyt@aliplast.com



**Koen Maes**  
Project Adviseur  
T. +32 475 90 05 00  
koen.maes@aliplast.com



**Christophe Causcheteux**  
Marketing Coördinator  
T. +32 9 340 55 64  
marketing@aliplast.com



**Robin Moyson**  
Marketing Coördinator  
T. +32 9 340 55 64  
marketing@aliplast.com

### Customer service & credit control



**Sabine Rooman**  
Order Entry  
T. +32 9 340 55 75  
sabine.rooman@aliplast.com



**Stefanie Zajac**  
Order Entry  
T. +32 9 340 52 41  
stefanie.zajac@aliplast.com



**Anouchka Olbrechts**  
Customer Service  
T. +32 9 340 55 88  
customer.service@aliplast.com



**Kirsten Jourden**  
Credit Controller  
T. +32 9 340 55 81  
credit.control@aliplast.com



**Ellen Winters**  
Credit Controller  
T. +32 9 340 55 60  
credit.control@aliplast.com

### Technical support / R&D / Quality



**Steve Heindryckx**  
Technical Support  
T. +32 9 340 55 47  
steve.heindryckx@aliplast.com



**Sebastien Caeldries**  
Technical Support  
T. +32 9 393 00 23  
sebastien.caeldries@aliplast.com



**Ismail Sahin**  
Support Chacal  
T. +32 9 340 55 67  
ismail.sahin@aliplast.com



**Geert Coelus**  
Technical Consultant  
T. +32 9 340 52 42  
geert.coelus@aliplast.com



**Ruben Snurawa**  
Quality/ESG Manager  
T. +32 9 340 55 30  
sustainable@aliplast.com



**Dries Wynendaele**  
R&D  
T. +32 9 340 55 62  
dries.wynendaele@aliplast.com

### Hardware



**Hardware Support**  
T. +32 9 340 55 87  
hardware@aliplast.com

# The Netherlands

## Sales, Projects & Marketing



**Marc Mulders**  
Sales Manager  
NEDERLAND  
T. +31 6 51 75 09 88  
marc.mulders@aliplast.com



**Tommy Verbrugge**  
District Manager  
NEDERLAND  
T. +31 6 53 86 88 75  
tommy.verbrugge@aliplast.com



**Gijs Adriaansen**  
Technical Consultant  
NEDERLAND  
T. +31 6 82 89 47 72  
gijs.adriaansen@aliplast.com



**Eric Vossen**  
District Manager  
NEDERLAND  
T. +31 6 12633707  
eric.vossen@aliplast.com



**Tony Suijkerbuijk**  
Projectadviseur  
NEDERLAND  
T. +31 6 10 14 48 09  
tony.suijkerbuijk@aliplast.com



**Joris De Zeeuw**  
Projectadviseur  
NEDERLAND  
T. +31 6 12 23 30 94  
joris.de.zeeuw@aliplast.com



**Christophe Causcheteux**  
Marketing Coördinator  
T. +32 9 340 55 64  
marketing@aliplast.com



**Robin Moyson**  
Marketing Coördinator  
T. +32 9 340 55 64  
marketing@aliplast.com

## Customer service & credit control



**Sabine Rooman**  
Order Entry  
T. +32 9 340 55 75  
sabine.rooman@aliplast.com



**Stefanie Zajac**  
Order Entry  
T. +32 9 340 52 41  
stefanie.zajac@aliplast.com



**Evelien Rosseels**  
Customer Service  
T. +32 9 340 55 56  
customer.service@aliplast.com



**Kirsten Jourden**  
Credit Controller  
T. +32 9 340 55 81  
credit.control@aliplast.com



**Ellen Winters**  
Credit Controller  
T. +32 9 340 55 60  
credit.control@aliplast.com

## Technical support / R&D / Quality



**Steve Heindryckx**  
Technical Support  
T. +32 9 340 55 47  
steve.heindryckx@aliplast.com



**Sebastien Caeldries**  
Technical Support  
T. +32 9 393 00 23  
sebastien.caeldries@aliplast.com



**Ismail Sahin**  
Support Chacal  
T. +32 9 340 55 67  
ismail.sahin@aliplast.com



**Geert Coelus**  
Technical Consultant  
T. +32 9 340 52 42  
geert.coelus@aliplast.com



**Ruben Snurawa**  
Quality/ESG Manager  
T. +32 9 340 55 30  
sustainable@aliplast.com



**Dries Wynendaele**  
R&D  
T. +32 9 340 55 62  
dries.wynendaele@aliplast.com

## Hardware



**Hardware Support**  
T. +32 9 340 55 87  
hardware@aliplast.com

# France

## Sales, Projects & Marketing



**Denis Thiry**  
Commercial Director France  
T. +32 477 41 63 03  
denis.thiry@aliplast.com



**Bérenger Venant**  
District Manager  
Nord de la France  
T. +33 6 62 81 35 56  
berenger.venant@aliplast.com



**Stéphane Thirion**  
District Manager  
Nord-Est de la France  
T. +33 6 07 06 16 90  
stephane.thirion@aliplast.com



**Maxime Thareau**  
District Manager  
Grand Ouest de la France  
T. +33 7 88 14 52 28  
maxime.thareau@aliplast.com



**Vincent Moraguès**  
Sales support technique Manager France  
T. +33 6 58 81 81 47  
vincent.moragues@aliplast.com



**Christophe Causcheteux**  
Marketing Coördinator  
T. +32 9 340 55 64  
marketing@aliplast.com



**Robin Moyson**  
Marketing Coördinator  
T. +32 9 340 55 64  
marketing@aliplast.com

## Customer service & credit control



**Sabine Rooman**  
Order Entry  
T. +32 9 340 55 75  
sabine.rooman@aliplast.com



**Stefanie Zajac**  
Order Entry  
T. +32 9 340 52 41  
stefanie.zajac@aliplast.com



**Karen De Backer**  
Service clients  
T. +32 9 340 52 54  
customer.service@aliplast.com



**Kirsten Jourden**  
Credit Controller  
T. +32 9 340 55 81  
credit.control@aliplast.com



**Ellen Winters**  
Credit Controller  
T. +32 9 340 55 60  
credit.control@aliplast.com

## Technical support / R&D / Quality



**Steve Heindryckx**  
Technical Support  
T. +32 9 340 55 47  
steve.heindryckx@aliplast.com



**Sebastien Caeldries**  
Technical Support  
T. +32 9 393 00 23  
sebastien.caeldries@aliplast.com



**Ismail Sahin**  
Support Chacal  
T. +32 9 340 55 67  
ismail.sahin@aliplast.com



**Geert Coelus**  
Technical Consultant  
T. +32 9 340 52 42  
geert.coelus@aliplast.com



**Ruben Snurawa**  
Quality/ESG Manager  
T. +32 9 340 55 30  
sustainable@aliplast.com



**Dries Wynendaele**  
R&D  
T. +32 9 340 55 62  
dries.wynendaele@aliplast.com

## Hardware



**Hardware Support**  
T. +32 9 340 55 87  
hardware@aliplast.com

# Germany

## Sales, Projects & Marketing



**Jan Meyer**  
**Sales Director**  
**DACH**  
T. +49 160 157 98 79  
jan.meyer@aliplast.com



**Benjamin Linder**  
**District Manager**  
**Germany**  
T. +49 160 903 979 50  
benjamin.linder@aliplast.com



**André Schulze-Westreicher**  
**District Manager**  
**Germany**  
T. +49 051 462 255 87  
andre.schulze-westreicher@aliplast.com



**Christophe Causcheteux**  
**Marketing Coördinator**  
T. +32 9 340 55 64  
marketing@aliplast.com



**Robin Moyson**  
**Marketing Coördinator**  
T. +32 9 340 55 64  
marketing@aliplast.com

## Customer service & credit control



**Sabine Rooman**  
**Order Entry**  
T. +32 9 340 55 75  
sabine.rooman@aliplast.com



**Stefanie Zajac**  
**Order Entry**  
T. +32 9 340 52 41  
stefanie.zajac@aliplast.com



**Sévérine Denolf**  
**Customer Service**  
T. +32 9 340 55 48  
customer.service@aliplast.com



**Kirsten Jourden**  
**Credit Controller**  
T. +32 9 340 55 81  
credit.control@aliplast.com



**Ellen Winters**  
**Credit Controller**  
T. +32 9 340 55 60  
credit.control@aliplast.com

## Technical support / R&D / Quality



**Steve Heindryckx**  
**Technical Support**  
T. +32 9 340 55 47  
steve.heindryckx@aliplast.com



**Sebastien Caeldries**  
**Technical Support**  
T. +32 9 393 00 23  
sebastien.caeldries@aliplast.com



**Ismail Sahin**  
**Support Chacal**  
T. +32 9 340 55 67  
ismail.sahin@aliplast.com



**Geert Coelus**  
**Technical Consultant**  
T. +32 9 340 52 42  
geert.coelus@aliplast.com



**Ruben Snurawa**  
**Quality/ESG Manager**  
T. +32 9 340 55 30  
sustainable@aliplast.com



**Dries Wynendaele**  
**R&D**  
T. +32 9 340 55 62  
dries.wynendaele@aliplast.com

## Hardware



**Hardware Support**  
T. +32 9 340 55 87  
hardware@aliplast.com

# Switzerland

## Sales, Projects & Marketing



**Jan Meyer**  
**Sales Director**  
**DACH**  
T. +49 160 157 98 79  
jan.meyer@aliplast.com



**Christophe Causcheteux**  
**Marketing Coördinator**  
T. +32 9 340 55 64  
christophe.causcheteux@aliplast.com



**Robin Moyson**  
**Marketing Coördinator**  
T. +32 9 340 55 64  
marketing@aliplast.com

## Customer service & credit control



**Sabine Rooman**  
**Order Entry**  
T. +32 9 340 55 75  
sabine.rooman@aliplast.com



**Stefanie Zajac**  
**Order Entry**  
T. +32 9 340 52 41  
stefanie.zajac@aliplast.com



**Sévérine Denolf**  
**Customer Service**  
T. +32 9 340 55 48  
customer.service@aliplast.com



**Kirsten Jourdren**  
**Credit Controller**  
T. +32 9 340 55 81  
credit.control@aliplast.com



**Ellen Winters**  
**Credit Controller**  
T. +32 9 340 55 60  
credit.control@aliplast.com

## Technical support / R&D / Quality



**Steve Heindryckx**  
**Technical Support**  
T. +32 9 340 55 47  
steve.heindryckx@aliplast.com



**Sebastien Caeldries**  
**Technical Support**  
T. +32 9 393 00 23  
sebastien.caeldries@aliplast.com



**Ismail Sahin**  
**Support Chacal**  
T. +32 9 340 55 67  
ismail.sahin@aliplast.com



**Geert Coelus**  
**Technical Consultant**  
T. +32 9 340 52 42  
geert.coelus@aliplast.com



**Ruben Snurawa**  
**Quality/ESG Manager**  
T.+32 9 340 55 30  
sustainable@aliplast.com



**Dries Wynendaele**  
**R&D**  
T. +32 9 340 55 62  
dries.wynendaele@aliplast.com

## Hardware



**Hardware Support**  
T. +32 9 340 55 87  
hardware@aliplast.com

# Scandinavia

## Sales, Projects & Marketing



**Dennis Helgesson**  
**Sales Manager**  
**Denmark - Iceland**  
T. +46 760 90 40 41  
dennis.helgesson@corialis-group.se



**Tommy Danielsson**  
**District Manager**  
**Sweden - Norway**  
T. +46 762 80 88 97  
tommy.danielsson@corialis-group.se



**Christophe Causcheteux**  
**Marketing Coördinator**  
T. +32 9 340 55 64  
marketing@aliplast.com



**Robin Moyson**  
**Marketing Coördinator**  
T. +32 9 340 55 64  
marketing@aliplast.com

## Customer service & credit control



**Sabine Rooman**  
**Order Entry**  
T. +32 9 340 55 75  
sabine.rooman@aliplast.com



**Stefanie Zajac**  
**Order Entry**  
T. +32 9 340 52 41  
stefanie.zajac@aliplast.com



**Sévérine Denolf**  
**Customer Service**  
T. +32 9 340 55 48  
customer.service@aliplast.com



**Kirsten Jourden**  
**Credit Controller**  
T. +32 9 340 55 81  
credit.control@aliplast.com



**Ellen Winters**  
**Credit Controller**  
T. +32 9 340 55 60  
credit.control@aliplast.com

## Technical support / R&D / Quality



**Steve Heindryckx**  
**Technical Support**  
T. +32 9 340 55 47  
steve.heindryckx@aliplast.com



**Sebastien Caeldries**  
**Technical Support**  
T. +32 9 393 00 23  
sebastien.caeldries@aliplast.com



**Sebastian Kekkonen**  
**Technical Support**  
**Scandinavia**  
T. +46 70 40 47 102  
sebastian.kekkonen@corialis-group.se



**Ismail Sahin**  
**Support Chacal**  
T. +32 9 340 55 67  
ismail.sahin@aliplast.com



**Geert Coelus**  
**Technical Consultant**  
T. +32 9 340 52 42  
geert.coelus@aliplast.com



**Ruben Snurawa**  
**Quality/ESG Manager**  
T.+32 9 340 55 30  
sustainable@aliplast.com



**Dries Wynendaele**  
**R&D**  
T. +32 9 340 55 62  
dries.wynendaele@aliplast.com

## Hardware



**Hardware Support**  
T. +32 9 340 55 87  
hardware@aliplast.com

# Others

## Marketing



**Christophe Causcheteux**  
**Marketing Coördinator**  
T. +32 9 340 55 64  
marketing@aliplast.com



**Robin Moyson**  
**Marketing Coördinator**  
T. +32 9 340 55 64  
marketing@aliplast.com

## Customer service & credit control



**Sabine Rومان**  
**Order Entry**  
T. +32 9 340 55 75  
sabine.roman@aliplast.com



**Stefanie Zajac**  
**Order Entry**  
T. +32 9 340 52 41  
stefanie.zajac@aliplast.com



**Evelien Rosseels**  
**Customer Service**  
T. +32 9 340 55 56  
customer.service@aliplast.com



**Kirsten Jourden**  
**Credit Controller**  
T. +32 9 340 55 81  
credit.control@aliplast.com



**Ellen Winters**  
**Credit Controller**  
T. +32 9 340 55 60  
credit.control@aliplast.com



**S  verine Denolf**  
**Customer Service**  
T. +32 9 340 55 48  
customer.service@aliplast.com

## Technical support / R&D / Quality



**Steve Heindryckx**  
**Technical Support**  
T. +32 9 340 55 47  
steve.heindryckx@aliplast.com



**Sebastien Caeldries**  
**Technical Support**  
T. +32 9 393 00 23  
sebastien.caeldries@aliplast.com



**Ismail Sahin**  
**Support Chacal**  
T. +32 9 340 55 67  
ismail.sahin@aliplast.com



**Geert Coelus**  
**Technical Consultant**  
T. +32 9 340 52 42  
geert.coelus@aliplast.com



**Ruben Snurawa**  
**Quality/ESG Manager**  
T.+32 9 340 55 30  
sustainable@aliplast.com



**Dries Wynendaele**  
**R&D**  
T. +32 9 340 55 62  
dries.wynendaele@aliplast.com

## Hardware



**Hardware**  
T. +32 9 340 55 87  
hardware@aliplast.com